

Series 80 Mighty Mouse Thread-On BAND-IT® Adapter Ordering Information

440MS135, 440MK135 and 440ML135



BAND-IT® Strap
Microband 600-057-1



Installed

Add a boot or overmold for environmental protection

These thread-on adapters are used with **BAND-IT® micro band** shield termination straps. Choose the smallest cable entry for your wire bundle. **Straight Entry** adapters are available in various lengths. **45° and 90°** adapters feature rotatable coupling nuts.

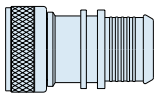
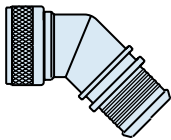
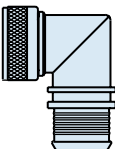


Micro Band Tool
600-061

MATERIALS	
Nut, Adapter	Aluminum Alloy or 300 Series SST
Band	300 Series SST
O-Ring	Silicone Elastomer

HOW TO ORDER

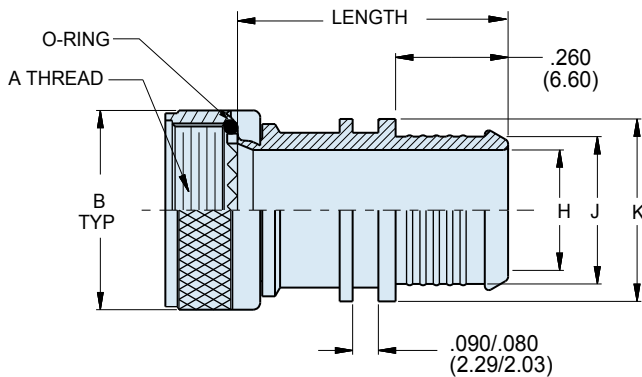
Sample Part Number

440MS135	M	07	05-	6	K																																																																																																		
Part Number	Shell Material / Finish	Size Code	Cable Entry Size	Length	Band Option																																																																																																		
 440MS135 Straight Entry	<p>C Aluminum / Black Anodize (Non-Conductive) RoHS Compliant</p> <p>M Aluminum / Electroless Nickel RoHS Compliant</p> <p>NF Aluminum / Cadmium with Olive Drab Chromate</p> <p>ZN Aluminum / Zinc-Nickel with Olive Drab Chromate</p> <p>ZNU Aluminum / Zinc-Nickel with Black Chromate</p> <p>MT Aluminum / Nickel-PTFE RoHS Compliant</p> <p>Z1 Stainless Steel / Passivated RoHS Compliant</p>	<table border="1"> <thead> <tr> <th>Size Code</th> <th>Thread Size</th> </tr> </thead> <tbody> <tr><td>05</td><td>.2500-32</td></tr> <tr><td>06</td><td>.3125-32</td></tr> <tr><td>11</td><td>.3750-32</td></tr> <tr><td>07</td><td>.4375-28</td></tr> <tr><td>08</td><td>.5000-28</td></tr> <tr><td>09</td><td>.5625-24</td></tr> <tr><td>10</td><td>.6250-24</td></tr> <tr><td>12</td><td>.6875-24</td></tr> <tr><td>13</td><td>.7500-20</td></tr> <tr><td>14</td><td>.9375-20</td></tr> <tr><td>17</td><td>1.1875-18</td></tr> </tbody> </table>	Size Code	Thread Size	05	.2500-32	06	.3125-32	11	.3750-32	07	.4375-28	08	.5000-28	09	.5625-24	10	.6250-24	12	.6875-24	13	.7500-20	14	.9375-20	17	1.1875-18	<table border="1"> <thead> <tr> <th>Cable Entry Code</th> <th>Cable Entry Dia. (In.)</th> <th>Use With Size Codes</th> </tr> </thead> <tbody> <tr><td>02-</td><td>.125</td><td>05-17</td></tr> <tr><td>03-</td><td>.188</td><td>05-17</td></tr> <tr><td>04-</td><td>.250</td><td>06-17</td></tr> <tr><td>05-</td><td>.312</td><td>07-17</td></tr> <tr><td>06-</td><td>.375</td><td>07-17</td></tr> <tr><td>07-</td><td>.438</td><td>08-17</td></tr> <tr><td>08-</td><td>.500</td><td>09-17</td></tr> <tr><td>09-</td><td>.562</td><td>10-17</td></tr> <tr><td>10-</td><td>.625</td><td>12-17</td></tr> <tr><td>11-</td><td>.688</td><td>14-17</td></tr> <tr><td>12-</td><td>.750</td><td>14-17</td></tr> <tr><td>13-</td><td>.812</td><td>14-17</td></tr> <tr><td>14-</td><td>.875</td><td>14-17</td></tr> </tbody> </table>	Cable Entry Code	Cable Entry Dia. (In.)	Use With Size Codes	02-	.125	05-17	03-	.188	05-17	04-	.250	06-17	05-	.312	07-17	06-	.375	07-17	07-	.438	08-17	08-	.500	09-17	09-	.562	10-17	10-	.625	12-17	11-	.688	14-17	12-	.750	14-17	13-	.812	14-17	14-	.875	14-17	<p style="text-align: center;">Straight Entry 440MS135 Only</p> <table border="1"> <thead> <tr> <th>Length Code</th> <th>Length (Inches)</th> </tr> </thead> <tbody> <tr><td>6</td><td>.750</td></tr> <tr><td>7</td><td>.875</td></tr> <tr><td>8</td><td>1.000</td></tr> <tr><td>9</td><td>1.125</td></tr> <tr><td>10</td><td>1.250</td></tr> <tr><td>11</td><td>1.375</td></tr> <tr><td>12</td><td>1.500</td></tr> <tr><td>13</td><td>1.625</td></tr> <tr><td>14</td><td>1.750</td></tr> <tr><td>15</td><td>1.875</td></tr> <tr><td>16</td><td>2.000</td></tr> <tr><td>17</td><td>2.125</td></tr> <tr><td>18</td><td>2.250</td></tr> <tr><td>19</td><td>2.375</td></tr> <tr><td>20</td><td>2.500</td></tr> </tbody> </table> <p style="text-align: center;">Specify Length in increments of .125 inches (3.18 mm.)</p>	Length Code	Length (Inches)	6	.750	7	.875	8	1.000	9	1.125	10	1.250	11	1.375	12	1.500	13	1.625	14	1.750	15	1.875	16	2.000	17	2.125	18	2.250	19	2.375	20	2.500	<p>Omit for no band supplied</p> <p>K Adapter is supplied with BAND-IT® shield termination band, pre-coiled</p>
			Size Code	Thread Size																																																																																																			
			05	.2500-32																																																																																																			
			06	.3125-32																																																																																																			
			11	.3750-32																																																																																																			
			07	.4375-28																																																																																																			
			08	.5000-28																																																																																																			
			09	.5625-24																																																																																																			
			10	.6250-24																																																																																																			
			12	.6875-24																																																																																																			
13	.7500-20																																																																																																						
14	.9375-20																																																																																																						
17	1.1875-18																																																																																																						
Cable Entry Code	Cable Entry Dia. (In.)	Use With Size Codes																																																																																																					
02-	.125	05-17																																																																																																					
03-	.188	05-17																																																																																																					
04-	.250	06-17																																																																																																					
05-	.312	07-17																																																																																																					
06-	.375	07-17																																																																																																					
07-	.438	08-17																																																																																																					
08-	.500	09-17																																																																																																					
09-	.562	10-17																																																																																																					
10-	.625	12-17																																																																																																					
11-	.688	14-17																																																																																																					
12-	.750	14-17																																																																																																					
13-	.812	14-17																																																																																																					
14-	.875	14-17																																																																																																					
Length Code	Length (Inches)																																																																																																						
6	.750																																																																																																						
7	.875																																																																																																						
8	1.000																																																																																																						
9	1.125																																																																																																						
10	1.250																																																																																																						
11	1.375																																																																																																						
12	1.500																																																																																																						
13	1.625																																																																																																						
14	1.750																																																																																																						
15	1.875																																																																																																						
16	2.000																																																																																																						
17	2.125																																																																																																						
18	2.250																																																																																																						
19	2.375																																																																																																						
20	2.500																																																																																																						
 440MK135 45° Entry																																																																																																							
 440ML135 90° Entry																																																																																																							

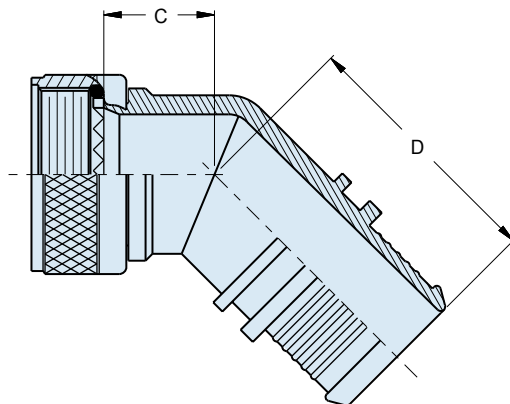
Dimensions in inches (millimeters) and are subject to change without notice.

Series 80 Mighty Mouse Thread-On BAND-IT® Adapter Dimensions

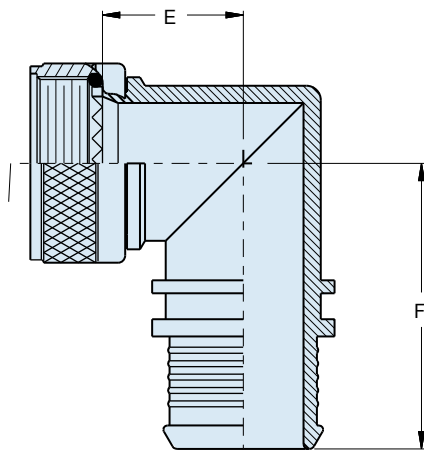
440MS135, 440MK135 and 440ML135



STRAIGHT ENTRY
ROTATABLE COUPLING
440MS135



45° ENTRY
ROTATABLE COUPLING
440MK135



90° ENTRY
ROTATABLE COUPLING
440ML135

DIMENSIONS											
Size Code	A Threads	B Max.		C Max.		D Max.		E Max.		F Max.	
		In.	mm.	In.	mm.	In.	mm.	In.	mm.	In.	mm.
05	.2500-32	.470	11.94	.530	13.46	.660	16.76	.630	16.00	.780	19.81
06	.3125-32	.530	13.46	.550	13.97	.670	17.02	.660	16.76	.790	20.27
11	.3750-32	.570	14.48	.560	14.22	.680	17.27	.680	17.27	.810	20.57
07	.4375-28	.637	16.18	.570	14.48	.690	17.53	.700	17.78	.830	21.08
08	.5000-28	.700	17.78	.580	14.73	.700	17.78	.740	18.80	.860	21.84
09	.5625-24	.758	19.25	.590	14.99	.710	18.03	.770	19.56	.890	22.61
10	.6250-24	.819	20.80	.610	15.49	.730	18.54	.800	20.32	.920	23.37
12	.6875-24	.896	22.76	.640	16.26	.750	19.05	.840	21.34	.970	24.64
13	.7500-20	.930	23.62	.660	16.76	.770	19.56	.880	22.35	1.020	25.91
14	.9375-20	1.137	28.88	.690	17.53	.800	20.32	.950	24.13	1.090	27.69
17	1.1875-18	1.387	35.23	.720	18.29	.830	21.08	1.010	25.65	1.160	29.46

CABLE ENTRY							
Cable Entry Code	Ø H		Ø J		Ø K		Use With Size Codes
	In.	mm.	In.	mm.	In.	mm.	
	±.015	±0.38	±.015	±0.38	±.015	±0.38	
02	.125	3.18	.164	4.17	.266	6.76	05-14
03	.188	4.78	.227	5.77	.329	8.36	05-14
04	.250	6.35	.289	7.34	.391	9.93	06-14
05	.312	7.92	.351	8.92	.453	11.51	07-14
06	.375	9.53	.414	10.52	.516	13.11	07-14
07	.438	11.13	.477	12.12	.579	14.71	08-14
08	.500	12.70	.539	13.69	.641	16.28	09-14
09	.562	14.27	.601	15.27	.703	17.86	10-14
10	.625	15.88	.664	16.87	.766	19.46	12-14
11	.688	17.48	.727	18.47	.829	21.06	14
12	.750	19.05	.789	20.04	.891	22.63	14
13	.812	20.62	.851	21.62	.953	24.21	14
14	.875	22.23	.914	23.22	1.016	25.81	14

CONNECTOR SHELL SIZES			
Size Code	A Threads	Shell Size	
		Series 800, 801, 803, 804	Series 805
05	.2500-32 UNEF-2B	5	—
06	.3125-32 UNEF-2B	6	—
11	.375-32 UNEF-2B	—	8
07	.4375-28 UNEF-2B	7	9
08	.5000-28 UNEF-2B	8	10
09	.5625-24 UNEF-2B	9	11
10	.6250-24 UNEF-2B	10	12
12	.6875-24 UNEF-2B	12, 13	—
13	.7500-20 UNEF-2B	—	15
14	.9375-20 UNEF-2B	14, 15, 16, 17	18, 19
17	1.1875-18 UNEF-2B	21	23

Dimensions in inches (millimeters) and are subject to change without notice.

X-ON Electronics

Largest Supplier of Electrical and Electronic Components

Click to view similar products for [Heat Shrink Cable Boots & End Caps](#) category:

Click to view products by [Glenair](#) manufacturer:

Other Similar products are found below :

[577159N001](#) [007758-000](#) [610368N003](#) [645494-000](#) [M85049/141-02HU](#) [M85049/141-03HU](#) [M85049/141-04HU](#) [687025-000](#) [705331-000](#)
[718446-000](#) [725666N001](#) [729257-000](#) [F21914-000](#) [F27131-000](#) [F85868-000](#) [770-006A103R](#) [770-006A304W1](#) [770-006A305W1](#) [770-](#)
[006A308W1](#) [770-011T303W1](#) [770-011T304W1](#) [770-020S702W1](#) [770-020S704W1](#) [806138-000](#) [806542N001](#) [807507-000](#) [808059-000](#)
[808296-000](#) [808362-000](#) [808828-000](#) [809125-000](#) [809130-000](#) [809218-000](#) [811218-000](#) [811288-000](#) [812014-000](#) [812047-000](#) [813166-000](#)
[813767N002](#) [814417-000](#) [819115N001](#) [819117N001](#) [823026-000](#) [823070-000](#) [825002-000](#) [841189N001](#) [861471-000](#) [866647-000](#) [937577-](#)
[000](#) [950764-000](#)