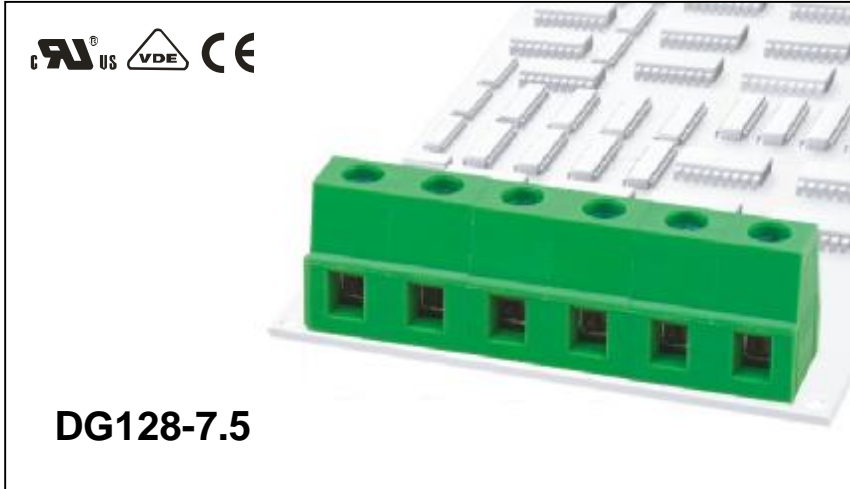




# DEGSON ELECTRONICS CO., LTD.

## Product Specification



<b>APPROVAL</b>		
<b>Electrical</b>	<b>UL</b>	<b>IEC</b>
Standard	UL	IEC
Rated voltage	300V	450V
Rated current	10A	18A
Wire range	24-12AWG	2.5mm <sup>2</sup>
Withstanding voltage	AC2500V/1Min	

<b>Mechanical</b>	
Torque	0.4Nm(3.5Lb-In)
Ambient temperature	-40℃~+105℃
Strip length	7mm

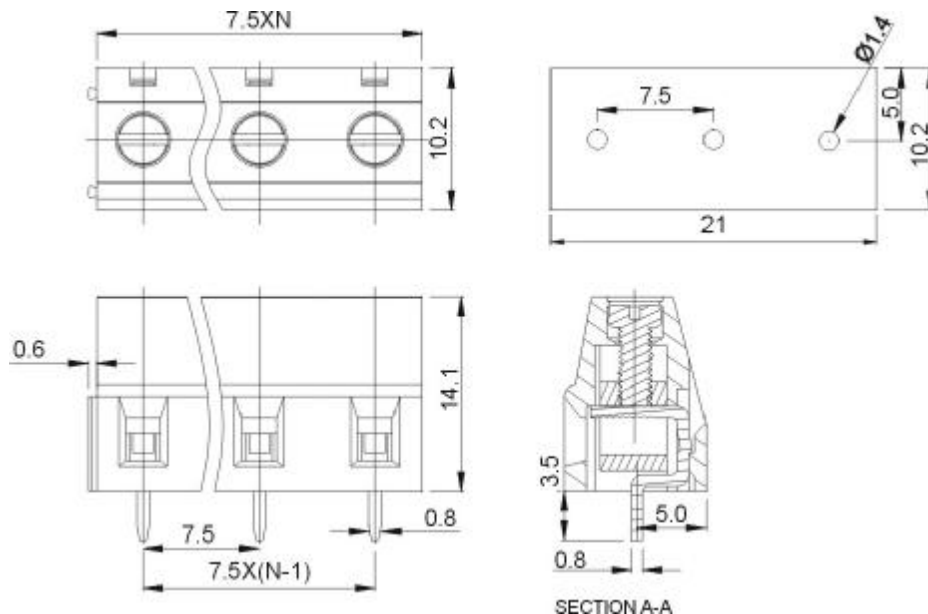
<b>Dimensions</b>	
pitch	7.5mm(.295")
Poles	2P,3P-24P

<b>Material</b>	
Housing	PA66,UL94V-0
Screws	M2.5,Steel, Cr <sup>3</sup> +Znplated
Pin header	Brass,Tin-plated
Cage	Brass,Ni-plated

### HOW TO ORDER :

Series number	No. of pole	Color																						
<input type="text"/>	<input type="text"/> P - <input type="text"/>	<input type="text"/>																						
	<table border="1"> <tr> <td>1</td> <td>Single pitch</td> </tr> <tr> <td>2</td> <td>Double pitch</td> </tr> </table>	1	Single pitch	2	Double pitch	<table border="1"> <tr> <td>1</td> <td>Grey</td> <td>4</td> <td>Green</td> <td>7</td> <td>Trans Parent</td> </tr> <tr> <td>2</td> <td>Blue</td> <td>5</td> <td>Orange</td> <td>8</td> <td>Yellow</td> </tr> <tr> <td>3</td> <td>Black</td> <td>6</td> <td>Red</td> <td>9</td> <td>White</td> </tr> </table>	1	Grey	4	Green	7	Trans Parent	2	Blue	5	Orange	8	Yellow	3	Black	6	Red	9	White
1	Single pitch																							
2	Double pitch																							
1	Grey	4	Green	7	Trans Parent																			
2	Blue	5	Orange	8	Yellow																			
3	Black	6	Red	9	White																			

X X X  
Customer Request



 mm (INCH)	 <b>DEGSON ELECTRONICS CO., LTD.</b>
 THIRD ANGLE PROJECTION	<b>NAME</b> <b>DG128-7.5</b>

## X-ON Electronics

Largest Supplier of Electrical and Electronic Components

*Click to view similar products for [Pluggable Terminal Blocks](#) category:*

*Click to view products by [Degson](#) manufacturer:*

Other Similar products are found below :

[57.404.7553](#) [57.504.0053.7](#) [57.510.0053](#) [57.910.6153](#) [01.112.1453](#) [CTB932VE/6](#) [MC 1.5/ 6-ST-3.5 GY AU](#) [ET02015000J0G](#) [734-104](#) [734-302](#) [734-304](#) [8-141-P](#) [FKCT 2.5/ 3-ST KMGY](#) [860505](#) [860508](#) [860516](#) [860810](#) [861908](#) [GBPACX-12](#) [93.731.4953.0](#) [PV05-5,08-K](#) [PVP02-5,00](#) [PVP04-3,50](#) [PVS02-5,00](#) [1-1986160-3](#) [H-10](#) [1546228-5](#) [ELFH09150](#) [ELFH16150](#) [ELFP03110](#) [ELFT06250](#) [ELFT07250](#) [ELVF09400](#) [ELVP03100](#) [ELXH03100](#) [ELXH071G0E](#) [ELXP041G0](#) [ELXT046G0](#) [1700101](#) [1700410](#) [1700425](#) [1703176](#) [1705229](#) [1710175](#) [1714537](#) [1717806](#) [1719600](#) [1729386](#) [1734692](#) [1734795](#)