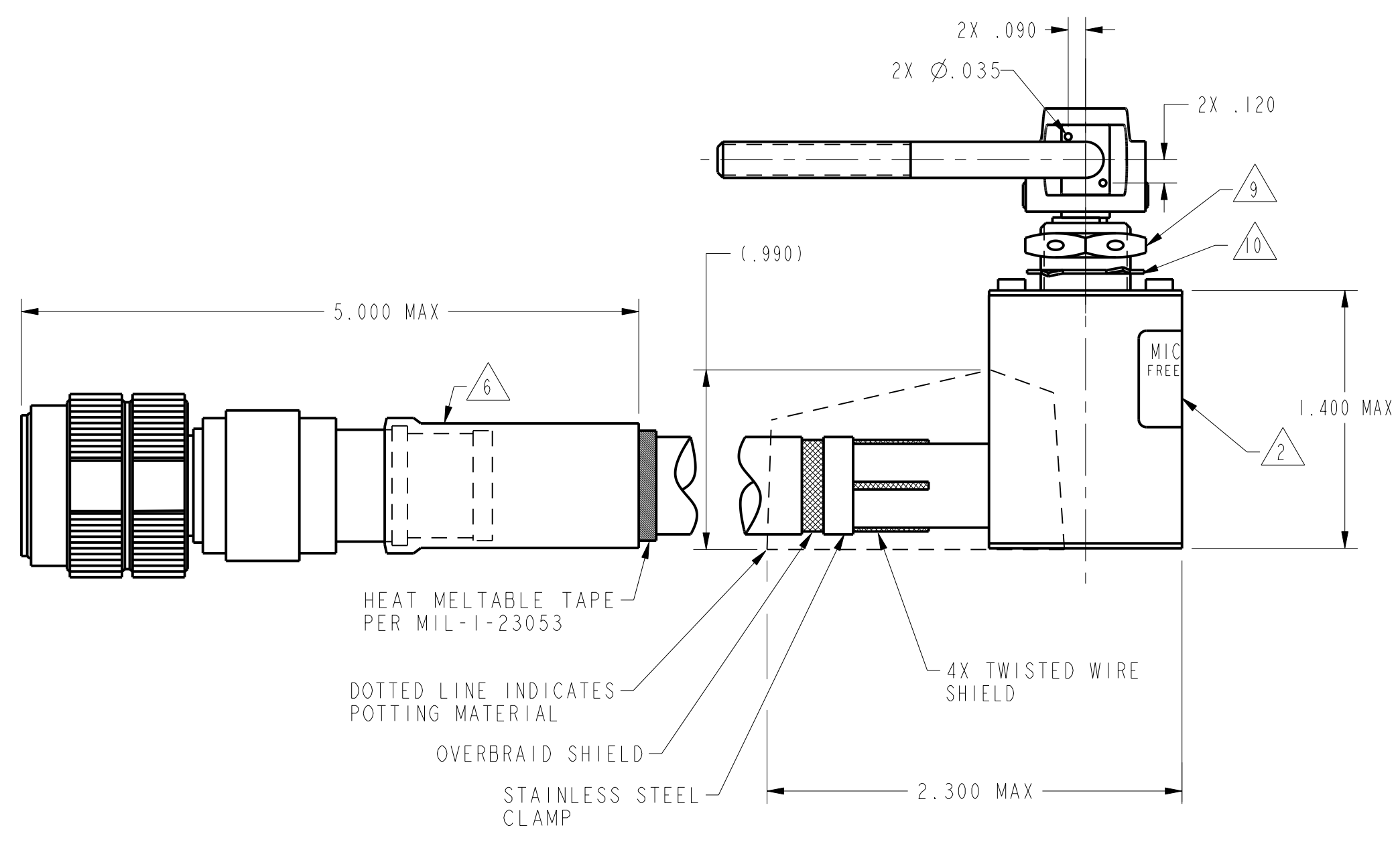
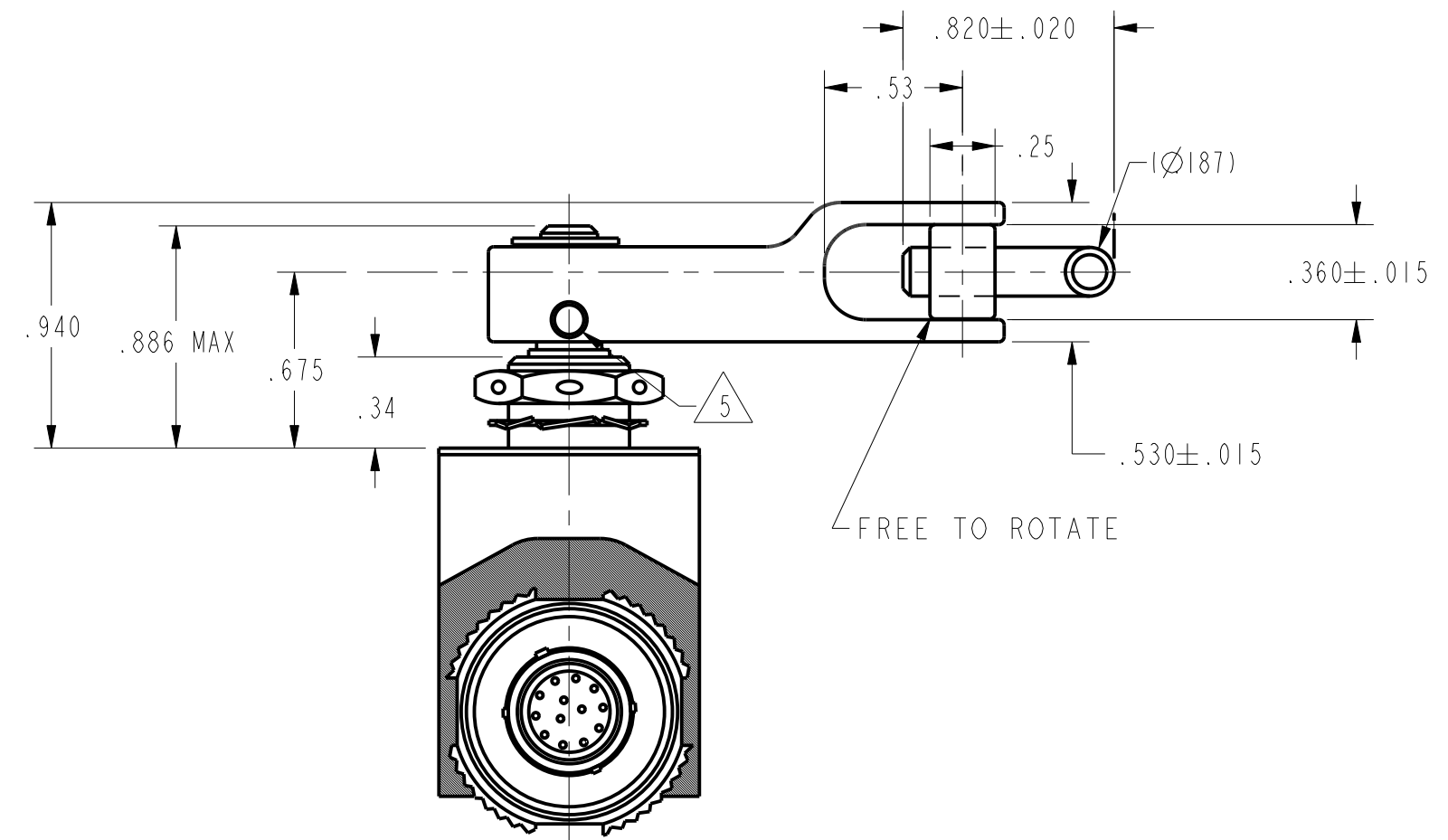
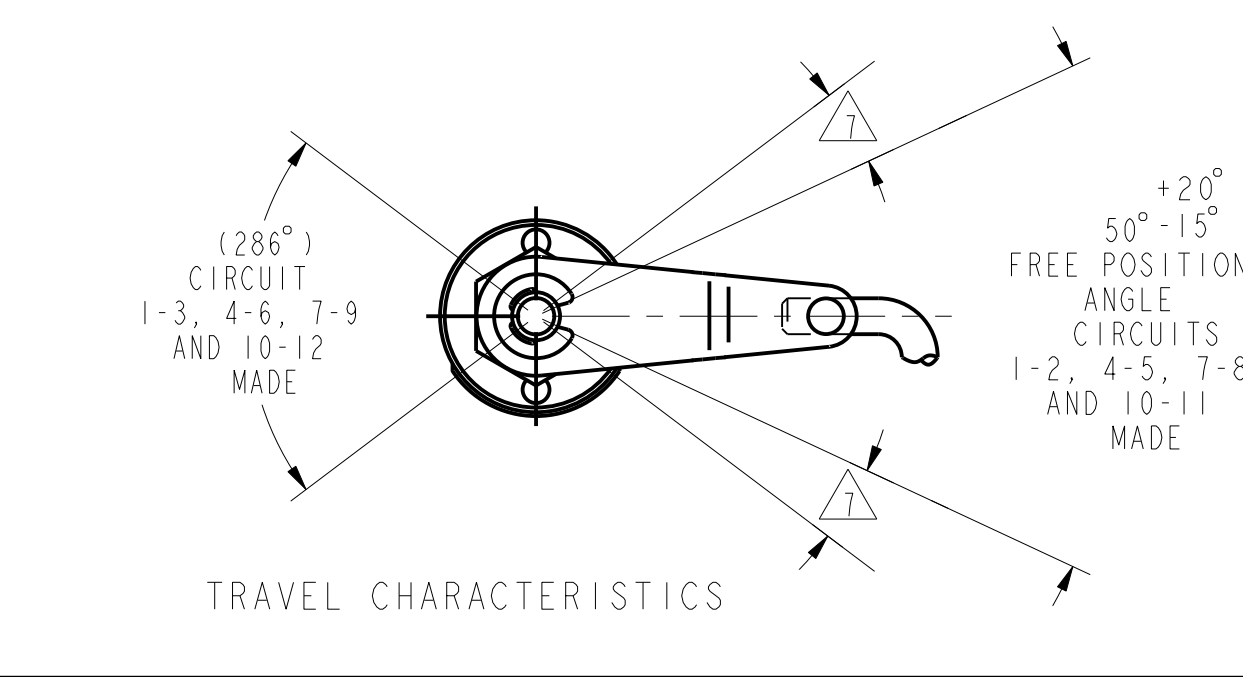
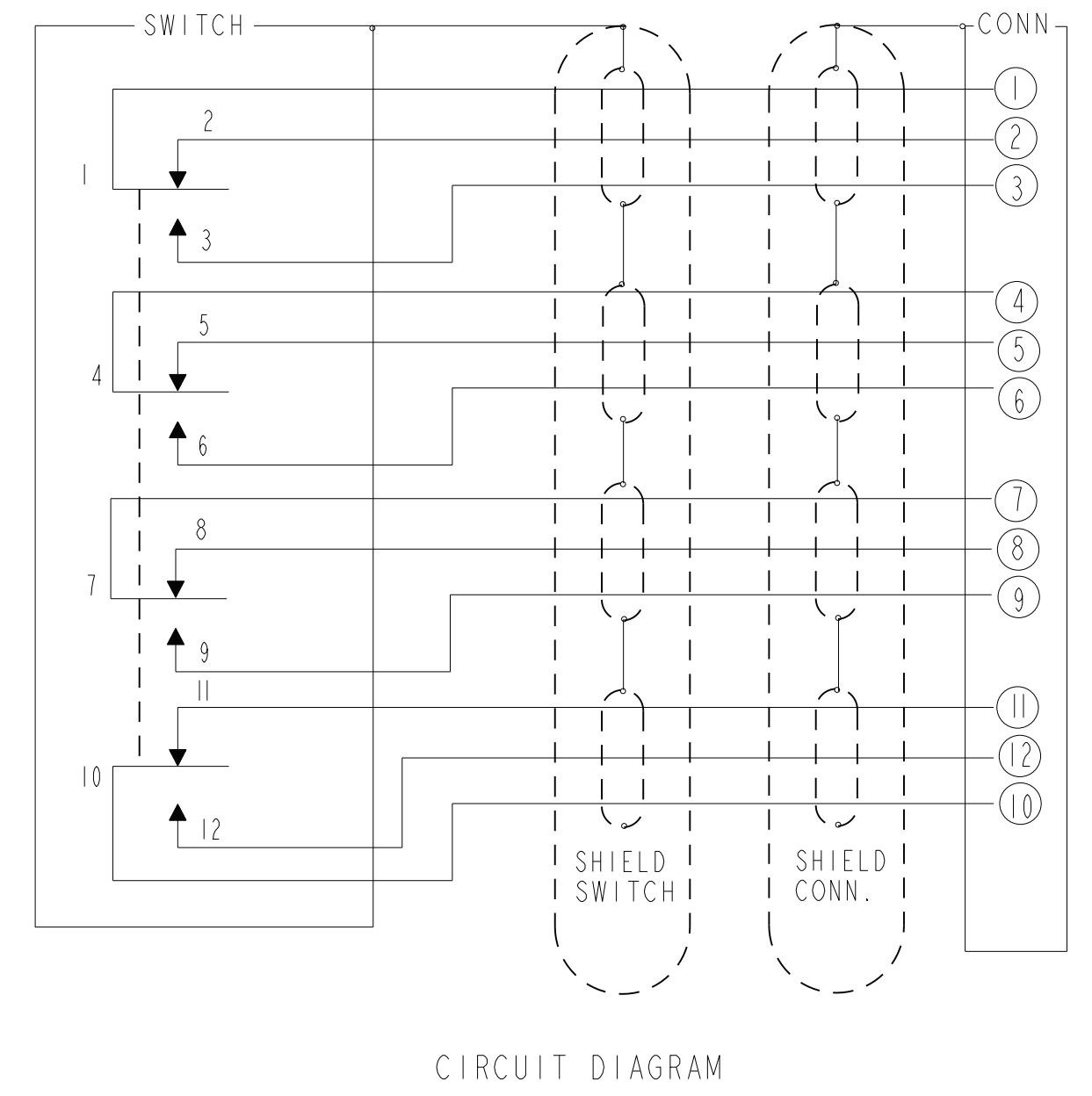
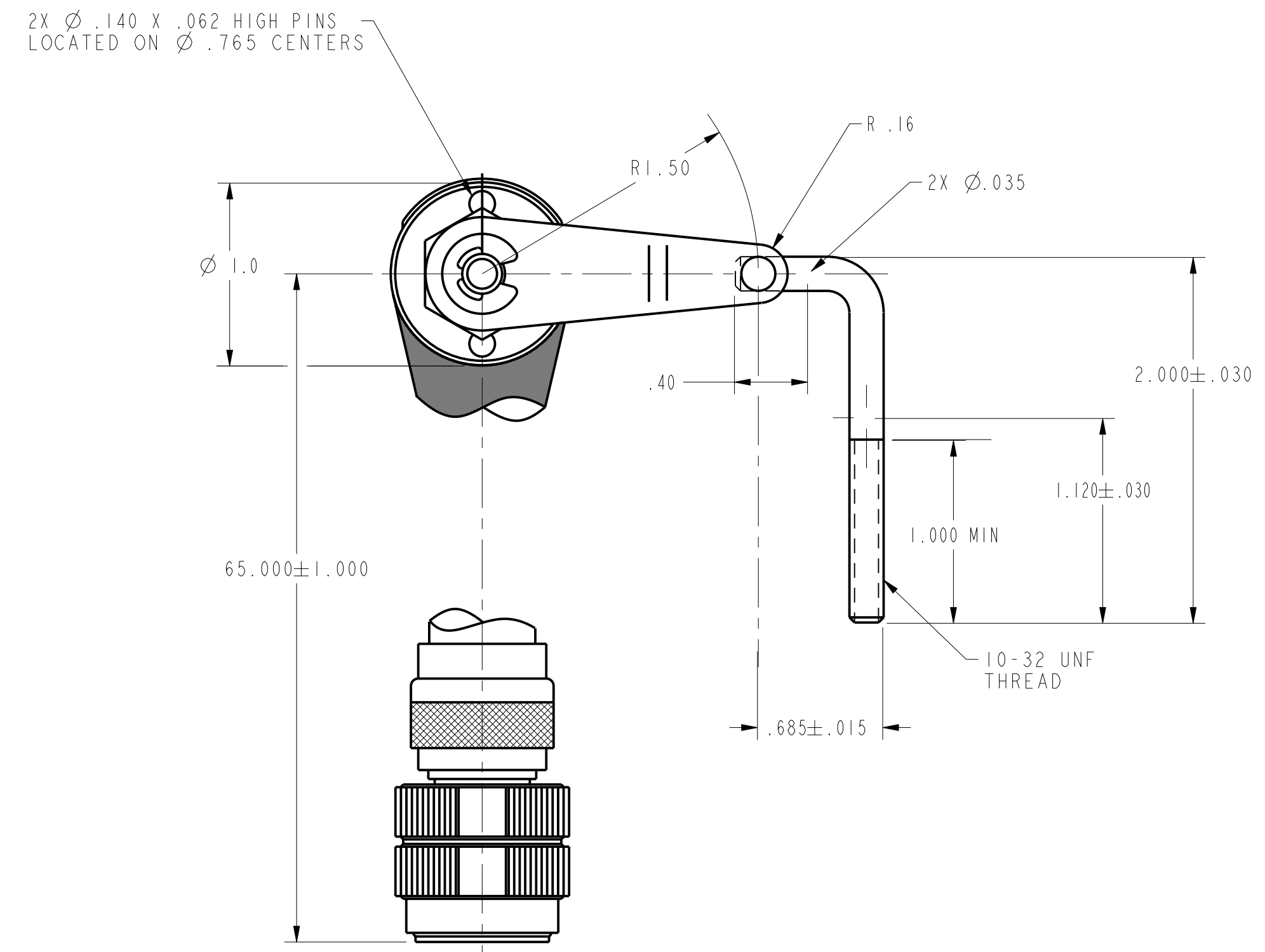


SPECIFICATION DETAILS:	
STANDARD:	CONFORMS TO MS24420-1 (MIL-PRF-8805/49) EXCEPT AS NOTED
CONSTRUCTION:	
ENCLOSURE DESIGN:	RESILIENT SEAL PER MIL-PRF-8805, SYMBOL 4
CONTACT MATERIAL & CONFIGURATION:	SMOOTH SILVER CONTACTS
CIRCUIT CONFIGURATION:	4 SPDT
TERMINATION:	CABLE PER LEARJET DWG#7632308501 CONNECTOR D38999/26FB35PA BACKSHELL GLENAIR P/N 447HS109M105-5LEB OR EQUIV
WEIGHT:	1.8 LBS MAX
EXPOSED METALS:	CORROSION RESISTANT STAINLESS STEEL
ELECTRICAL CHARACTERISTICS	
ELECTRICAL RATINGS	LOAD
SEA LEVEL	VOLTAGE RES IND MOTOR
50,000 FEET	28 VDC 5 A 4 A 4 A 28 VDC 5 A 2.4 A
DIELECTRIC STRENGTH & INSULATION RESISTANCE	DIELECTRIC STRENGTH 60HZ; 5 SEC INSULATION RESISTANCE (500VDC +/-10%)
BETWEEN TERMINALS & EXPOSED NON-CURRENT CARRYING METAL	1000 V Rms, 500 MICROAMPS (MAX LEAKAGE) 1000 MEGOHMS (MIN)
BETWEEN TERMINALS OF MUTUALLY INSULATED CIRCUITS	1000 V Rms, 500 MICROAMPS (MAX LEAKAGE) 1000 MEGOHMS (MIN)
BETWEEN ALL UNCONNECTED TERMINALS OF THE SAME POLE	1000 V Rms, 500 MICROAMPS (MAX LEAKAGE) 1000 MEGOHMS (MIN)
SWITCH RESISTANCE:	N/A
RECOMENDATION OR USE IN APPLICATIONS LESS THAN .5 amps AND/OR 12 volts	NO ⚠
MECHANICAL CHARACTERISTICS	
CHARACTERISTICS:	
OPERATING TORQUE (SEE TRAVEL CHARACTERISTICS DETAIL)	3 IN-LBS MAX
MOUNTING STRENGTH:	15 IN-LBS MAX
ACTUATOR STRENGTH:	N/A
LIFE:	
MECHANICAL LIFE:	25,000 MIN PER MIL-PRF-8805/49 ⚠
ELECTRICAL LIFE FULL RATED LOAD:	25,000 MIN PER MIL-PRF-8805/49 ⚠
ENVIRONMENTAL:	
TEMPERATURE RANGE:	-55° C TO +85° C ⚠
ALTITUDE RANGE:	SEA LEVEL TO 50,000 FT
SHOCK:	PER MIL-PRF-8805 SYMBOL M; 100 g
VIBRATION:	PER MIL-PRF-8805 SYMBOL I; 10-500 HZ 10 g peak
MOISTURE RESISTANCE:	PER MIL-PRF-8805 (10 DAY TEST)
THERMAL SHOCK:	PER MIL-PRF-8805 (5 CYCLE TEST)
SALT SPRAY:	PER MIL-PRF-8805 (96 HOUR TEST)



- NOTES
- 1 LIFE RATINGS ARE PER MIL-PRF-8805 REQUIREMENTS, ACTUAL LIFE EXCEEDS RATED LIFE. CONTACT HONEYWELL-MICRO SWITCH FOR ADDITIONAL DATA CATALOG LISTING, CAGE CODE AND DATE CODE ARE SHOWN ON NAMEPLATE
 - 2 - HARDWARE MAY BE PACKAGED UNASSEMBLED PER MIL-PRF-8805
 - 3 - UNIT PROVIDES NO SHAFT RESTORING TORQUE, THE ACTIVATING DEVICE MUST CONTROL MOVEMENT OF THE SHAFT
 - 4 2X 6-32 UNC-3A SETSCREW WITH NYLON TIP & ANTI STRIP SOCKET, REPLACEMENT PACKET I9PA218-EN
 - 5 THERMOFIT ATUM HEAT-SHRINKABLE TUBING
 - 6 12" MAX DIFFERENTIAL TRAVEL
 - 7 CONTACT HONEYWELL-MICRO SWITCH IF ADDITIONAL INFORMATION ON LOW ENERGY LOADS IS REQUIRED OR FOR HELP WITH SPECIFIC APPLICATIONS
 - 8 HEX NUT .62 ACROSS FLATS X .125 THICK 3X Ø.047 HOLE FOR WIRE LOCKING
 - 9 INTERNAL TOOTH LOCKWASHER Ø.60 X (.018) THICK (MS35333-136)
 - 10 TEMPERATURE RANGE APPLICABLE TO SWITCH ONLY.
 - 11 CABLE JACKET MATERIAL IS RATED TO +70° C MAX
 - 12 - REPLACEMENT LEVER AND MOUNTING HARDWARE PACKET - 6PA206-EN

THIS DRAWING COVERS A PROPRIETARY ITEM AND IS THE PROPERTY OF MICRO SWITCH, A DIVISION OF HONEYWELL. THIS DRAWING IS NOT TO BE COPIED OR USED WITHOUT THE APPROVAL OF MICRO SWITCH.

FED. MFG. CODE 91929

MICRO SWITCH
a Honeywell Division

SWITCH - ENCLOSED

444EN3-R

ONE PLACE (.0) +.030
TWO PLACE (.00) +.015
THREE PLACE (.000) +.005
ANGLES +

THIRD ANGLE PROJECTION

SCALE 1.5 : 1

DO NOT SCALE PRINT

UNLESS OTHERWISE SPECIFIED TOLERANCES ARE

WEIGHT -

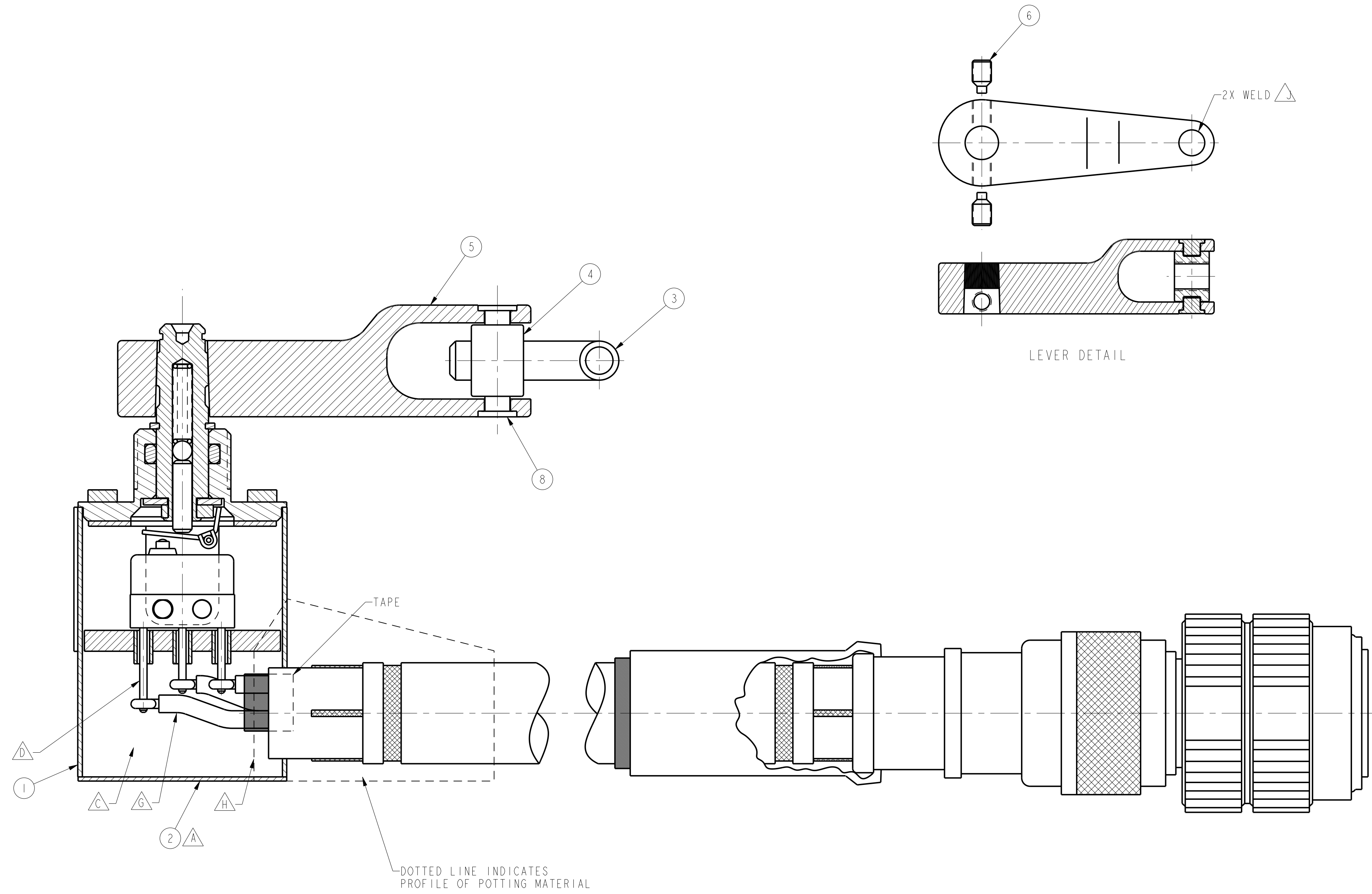
444EN3-R
 DRAWING NUMBER
 8
 PTC/CAD 2D
 DRAWN
 LJK
 14APR03
 CHECK
 JAF
 14APR03
 RELEASE NO. PR-21940
 REPLACES
 4 JUL 04
 CHECK
 4 JUL 04
 15 FEB 98
 2 NOV 98
 12 JAN 99
 13 FEB 99
 14 APR 99
 15 FEB 99
 16 FEB 99
 17 FEB 99
 18 FEB 99
 19 FEB 99
 20 FEB 99
 21 FEB 99
 22 FEB 99
 23 FEB 99
 24 FEB 99
 25 FEB 99
 26 FEB 99
 27 FEB 99
 28 FEB 99
 29 FEB 99
 30 FEB 99
 1 MAR 99
 2 MAR 99
 3 MAR 99
 4 MAR 99
 5 MAR 99
 6 MAR 99
 7 MAR 99
 8 MAR 99
 9 MAR 99
 10 MAR 99
 11 MAR 99
 12 MAR 99
 13 MAR 99
 14 MAR 99
 15 MAR 99
 16 MAR 99
 17 MAR 99
 18 MAR 99
 19 MAR 99
 20 MAR 99
 21 MAR 99
 22 MAR 99
 23 MAR 99
 24 MAR 99
 25 MAR 99
 26 MAR 99
 27 MAR 99
 28 MAR 99
 29 MAR 99
 30 MAR 99
 31 MAR 99
 1 APR 99
 2 APR 99
 3 APR 99
 4 APR 99
 5 APR 99
 6 APR 99
 7 APR 99
 8 APR 99
 9 APR 99
 10 APR 99
 11 APR 99
 12 APR 99
 13 APR 99
 14 APR 99
 15 APR 99
 16 APR 99
 17 APR 99
 18 APR 99
 19 APR 99
 20 APR 99
 21 APR 99
 22 APR 99
 23 APR 99
 24 APR 99
 25 APR 99
 26 APR 99
 27 APR 99
 28 APR 99
 29 APR 99
 30 APR 99
 1 MAY 99
 2 MAY 99
 3 MAY 99
 4 MAY 99
 5 MAY 99
 6 MAY 99
 7 MAY 99
 8 MAY 99
 9 MAY 99
 10 MAY 99
 11 MAY 99
 12 MAY 99
 13 MAY 99
 14 MAY 99
 15 MAY 99
 16 MAY 99
 17 MAY 99
 18 MAY 99
 19 MAY 99
 20 MAY 99
 21 MAY 99
 22 MAY 99
 23 MAY 99
 24 MAY 99
 25 MAY 99
 26 MAY 99
 27 MAY 99
 28 MAY 99
 29 MAY 99
 30 MAY 99
 31 MAY 99
 1 JUN 99
 2 JUN 99
 3 JUN 99
 4 JUN 99
 5 JUN 99
 6 JUN 99
 7 JUN 99
 8 JUN 99
 9 JUN 99
 10 JUN 99
 11 JUN 99
 12 JUN 99
 13 JUN 99
 14 JUN 99
 15 JUN 99
 16 JUN 99
 17 JUN 99
 18 JUN 99
 19 JUN 99
 20 JUN 99
 21 JUN 99
 22 JUN 99
 23 JUN 99
 24 JUN 99
 25 JUN 99
 26 JUN 99
 27 JUN 99
 28 JUN 99
 29 JUN 99
 30 JUN 99
 1 JUL 99
 2 JUL 99
 3 JUL 99
 4 JUL 99
 5 JUL 99
 6 JUL 99
 7 JUL 99
 8 JUL 99
 9 JUL 99
 10 JUL 99
 11 JUL 99
 12 JUL 99
 13 JUL 99
 14 JUL 99
 15 JUL 99
 16 JUL 99
 17 JUL 99
 18 JUL 99
 19 JUL 99
 20 JUL 99
 21 JUL 99
 22 JUL 99
 23 JUL 99
 24 JUL 99
 25 JUL 99
 26 JUL 99
 27 JUL 99
 28 JUL 99
 29 JUL 99
 30 JUL 99
 31 JUL 99
 1 AUG 99
 2 AUG 99
 3 AUG 99
 4 AUG 99
 5 AUG 99
 6 AUG 99
 7 AUG 99
 8 AUG 99
 9 AUG 99
 10 AUG 99
 11 AUG 99
 12 AUG 99
 13 AUG 99
 14 AUG 99
 15 AUG 99
 16 AUG 99
 17 AUG 99
 18 AUG 99
 19 AUG 99
 20 AUG 99
 21 AUG 99
 22 AUG 99
 23 AUG 99
 24 AUG 99
 25 AUG 99
 26 AUG 99
 27 AUG 99
 28 AUG 99
 29 AUG 99
 30 AUG 99
 31 AUG 99
 1 SEP 99
 2 SEP 99
 3 SEP 99
 4 SEP 99
 5 SEP 99
 6 SEP 99
 7 SEP 99
 8 SEP 99
 9 SEP 99
 10 SEP 99
 11 SEP 99
 12 SEP 99
 13 SEP 99
 14 SEP 99
 15 SEP 99
 16 SEP 99
 17 SEP 99
 18 SEP 99
 19 SEP 99
 20 SEP 99
 21 SEP 99
 22 SEP 99
 23 SEP 99
 24 SEP 99
 25 SEP 99
 26 SEP 99
 27 SEP 99
 28 SEP 99
 29 SEP 99
 30 SEP 99
 30 SEP 99
 1 OCT 99
 2 OCT 99
 3 OCT 99
 4 OCT 99
 5 OCT 99
 6 OCT 99
 7 OCT 99
 8 OCT 99
 9 OCT 99
 10 OCT 99
 11 OCT 99
 12 OCT 99
 13 OCT 99
 14 OCT 99
 15 OCT 99
 16 OCT 99
 17 OCT 99
 18 OCT 99
 19 OCT 99
 20 OCT 99
 21 OCT 99
 22 OCT 99
 23 OCT 99
 24 OCT 99
 25 OCT 99
 26 OCT 99
 27 OCT 99
 28 OCT 99
 29 OCT 99
 30 OCT 99
 31 OCT 99
 1 NOV 99
 2 NOV 99
 3 NOV 99
 4 NOV 99
 5 NOV 99
 6 NOV 99
 7 NOV 99
 8 NOV 99
 9 NOV 99
 10 NOV 99
 11 NOV 99
 12 NOV 99
 13 NOV 99
 14 NOV 99
 15 NOV 99
 16 NOV 99
 17 NOV 99
 18 NOV 99
 19 NOV 99
 20 NOV 99
 21 NOV 99
 22 NOV 99
 23 NOV 99
 24 NOV 99
 25 NOV 99
 26 NOV 99
 27 NOV 99
 28 NOV 99
 29 NOV 99
 30 NOV 99
 31 NOV 99
 1 DEC 99
 2 DEC 99
 3 DEC 99
 4 DEC 99
 5 DEC 99
 6 DEC 99
 7 DEC 99
 8 DEC 99
 9 DEC 99
 10 DEC 99
 11 DEC 99
 12 DEC 99
 13 DEC 99
 14 DEC 99
 15 DEC 99
 16 DEC 99
 17 DEC 99
 18 DEC 99
 19 DEC 99
 20 DEC 99
 21 DEC 99
 22 DEC 99
 23 DEC 99
 24 DEC 99
 25 DEC 99
 26 DEC 99
 27 DEC 99
 28 DEC 99
 29 DEC 99
 30 DEC 99
 31 DEC 99
 1 JAN 00
 2 JAN 00
 3 JAN 00
 4 JAN 00
 5 JAN 00
 6 JAN 00
 7 JAN 00
 8 JAN 00
 9 JAN 00
 10 JAN 00
 11 JAN 00
 12 JAN 00
 13 JAN 00
 14 JAN 00
 15 JAN 00
 16 JAN 00
 17 JAN 00
 18 JAN 00
 19 JAN 00
 20 JAN 00
 21 JAN 00
 22 JAN 00
 23 JAN 00
 24 JAN 00
 25 JAN 00
 26 JAN 00
 27 JAN 00
 28 JAN 00
 29 JAN 00
 30 JAN 00
 31 JAN 00
 1 FEB 00
 2 FEB 00
 3 FEB 00
 4 FEB 00
 5 FEB 00
 6 FEB 00
 7 FEB 00
 8 FEB 00
 9 FEB 00
 10 FEB 00
 11 FEB 00
 12 FEB 00
 13 FEB 00
 14 FEB 00
 15 FEB 00
 16 FEB 00
 17 FEB 00
 18 FEB 00
 19 FEB 00
 20 FEB 00
 21 FEB 00
 22 FEB 00
 23 FEB 00
 24 FEB 00
 25 FEB 00
 26 FEB 00
 27 FEB 00
 28 FEB 00
 29 FEB 00
 30 FEB 00
 31 FEB 00
 1 MAR 00
 2 MAR 00
 3 MAR 00
 4 MAR 00
 5 MAR 00
 6 MAR 00
 7 MAR 00
 8 MAR 00
 9 MAR 00
 10 MAR 00
 11 MAR 00
 12 MAR 00
 13 MAR 00
 14 MAR 00
 15 MAR 00
 16 MAR 00
 17 MAR 00
 18 MAR 00
 19 MAR 00
 20 MAR 00
 21 MAR 00
 22 MAR 00
 23 MAR 00
 24 MAR 00
 25 MAR 00
 26 MAR 00
 27 MAR 00
 28 MAR 00
 29 MAR 00
 30 MAR 00
 31 MAR 00
 1 APR 00
 2 APR 00
 3 APR 00
 4 APR 00
 5 APR 00
 6 APR 00
 7 APR 00
 8 APR 00
 9 APR 00
 10 APR 00
 11 APR 00
 12 APR 00
 13 APR 00
 14 APR 00
 15 APR 00
 16 APR 00
 17 APR 00
 18 APR 00
 19 APR 00
 20 APR 00
 21 APR 00
 22 APR 00
 23 APR 00
 24 APR 00
 25 APR 00
 26 APR 00
 27 APR 00
 28 APR 00
 29 APR 00
 30 APR 00
 31 APR 00
 1 MAY 00
 2 MAY 00
 3 MAY 00
 4 MAY 00
 5 MAY 00
 6 MAY 00
 7 MAY 00
 8 MAY 00
 9 MAY 00
 10 MAY 00
 11 MAY 00
 12 MAY 00
 13 MAY 00
 14 MAY 00
 15 MAY 00
 16 MAY 00
 17 MAY 00
 18 MAY 00
 19 MAY 00
 20 MAY 00
 21 MAY 00
 22 MAY 00
 23 MAY 00
 24 MAY 00
 25 MAY 00
 26 MAY 00
 27 MAY 00
 28 MAY 00
 29 MAY 00
 30 MAY 00
 31 MAY 00
 1 JUN 00
 2 JUN 00
 3 JUN 00
 4 JUN 00
 5 JUN 00
 6 JUN 00
 7 JUN 00
 8 JUN 00
 9 JUN 00
 10 JUN 00
 11 JUN 00
 12 JUN 00
 13 JUN 00
 14 JUN 00
 15 JUN 00
 16 JUN 00
 17 JUN 00
 18 JUN 00
 19 JUN 00
 20 JUN 00
 21 JUN 00
 22 JUN 00
 23 JUN 00
 24 JUN 00
 25 JUN 00
 26 JUN 00
 27 JUN 00
 28 JUN 00
 29 JUN 00
 30 JUN 00
 31 JUN 00
 1 JUL 00
 2 JUL 00
 3 JUL 00
 4 JUL 00
 5 JUL 00
 6 JUL 00
 7 JUL 00
 8 JUL 00
 9 JUL 00
 10 JUL 00
 11 JUL 00
 12 JUL 00
 13 JUL 00
 14 JUL 00
 15 JUL 00
 16 JUL 00
 17 JUL 00
 18 JUL 00
 19 JUL 00
 20 JUL 00
 21 JUL 00
 22 JUL 00
 23 JUL 00
 24 JUL 00
 25 JUL 00
 26 JUL 00
 27 JUL 00
 28 JUL 00
 29 JUL 00
 30 JUL 00
 31 JUL 00
 1 AUG 00
 2 AUG 00
 3 AUG 00
 4 AUG 00
 5 AUG 00
 6 AUG 00
 7 AUG 00
 8 AUG 00
 9 AUG 00
 10 AUG 00
 11 AUG 00
 12 AUG 00
 13 AUG 00
 14 AUG 00
 15 AUG 00
 16 AUG 00
 17 AUG 00
 18 AUG 00
 19 AUG 00
 20 AUG 00
 21 AUG 00
 22 AUG 00
 23 AUG 00
 24 AUG 00
 25 AUG 00
 26 AUG 00
 27 AUG 00
 28 AUG 00
 29 AUG 00
 30 AUG 00
 31 AUG 00
 1 SEP 00
 2 SEP 00
 3 SEP 00
 4 SEP 00
 5 SEP 00
 6 SEP 00
 7 SEP 00
 8 SEP 00
 9 SEP 00
 10 SEP 00
 11 SEP 00
 12 SEP 00
 13 SEP 00
 14 SEP 00
 15 SEP 00
 16 SEP 00
 17 SEP 00
 18 SEP 00
 19 SEP 00
 20 SEP 00
 21 SEP 00
 22 SEP 00
 23 SEP 00
 24 SEP 00
 25 SEP 00
 26 SEP 00
 27 SEP 00
 28 SEP 00
 29 SEP 00
 30 SEP 00
 31 SEP 00
 1 OCT 00
 2 OCT 00
 3 OCT 00
 4 OCT 00
 5 OCT 00
 6 OCT 00
 7 OCT 00
 8 OCT 00
 9 OCT 00
 10 OCT 00
 11 OCT 00
 12 OCT 00
 13 OCT 00
 14 OCT 00
 15 OCT 00
 16 OCT 00
 17 OCT 00
 18 OCT 00
 19 OCT 00
 20 OCT 00
 21 OCT 00
 22 OCT 00
 23 OCT 00
 24 OCT 00
 25 OCT 00
 26 OCT 00
 27 OCT 00
 28 OCT 00
 29 OCT 00
 30 OCT 00
 31 OCT 00
 1 NOV 00
 2 NOV 00
 3 NOV 00
 4 NOV 00
 5 NOV 00
 6 NOV 00
 7 NOV 00
 8 NOV 00
 9 NOV 00
 10 NOV 00
 11 NOV 00
 12 NOV 00
 13 NOV 00
 14 NOV 00
 15 NOV 00
 16 NOV 00
 17 NOV 00
 18 NOV 00
 19 NOV 00
 20 NOV 00
 21 NOV 00
 22 NOV 00
 23 NOV 00
 24 NOV 00
 25 NOV 00
 26 NOV 00
 27 NOV 00
 28 NOV 00
 29 NOV 00
 30 NOV 00
 31 NOV 00
 1 DEC 00
 2 DEC 00
 3 DEC 00
 4 DEC 00
 5 DEC 00
 6 DEC 00
 7 DEC 00
 8 DEC 00
 9 DEC 00
 10 DEC 00
 11 DEC 00
 12 DEC 00
 13 DEC 00
 14 DEC 00
 15 DEC 00
 16 DEC 00
 17 DEC 00
 18 DEC 00
 19 DEC 00
 20 DEC 00
 21 DEC 00
 22 DEC 00
 23 DEC 00
 24 DEC 00
 25 DEC 00
 26 DEC 00
 27 DEC 00
 28 DEC 00
 29 DEC 00
 30 DEC 00
 31 DEC 00
 1 JAN 01
 2 JAN 01
 3 JAN 01
 4 JAN 01
 5 JAN 01
 6 JAN 01
 7 JAN 01
 8 JAN 01
 9 JAN 01
 10 JAN 01
 11 JAN 01
 12 JAN 01
 13 JAN 01
 14 JAN 01
 15 JAN 01
 16 JAN 01
 17 JAN 01
 18 JAN 01
 19 JAN 01
 20 JAN 01
 21 JAN 01
 22 JAN 01
 23 JAN 01
 24 JAN 01
 25 JAN 01
 26 JAN 01
 27 JAN 01
 28 JAN 01
 29 JAN 01
 30 JAN 01
 31 JAN 01
 1 FEB 01
 2 FEB 01
 3 FEB 01
 4 FEB 01
 5 FEB 01
 6 FEB 01
 7 FEB 01
 8 FEB 01
 9 FEB 01
 10 FEB 01
 11 FEB 01
 12 FEB 01
 13 FEB 01
 14 FEB 01
 15 FEB 01
 16 FEB 01
 17 FEB 01
 18 FEB 01
 19 FEB 01
 20 FEB 01
 21 FEB 01
 22 FEB 01
 23 FEB 01
 24 FEB 01
 25 FEB 01
 26 FEB 01
 27 FEB 01
 28 FEB 01
 29 FEB 01
 30 FEB 01
 31 FEB 01
 1 MAR 01
 2 MAR 01
 3 MAR 01
 4 MAR 01
 5 MAR 01
 6 MAR 01
 7 MAR 01
 8 MAR 01
 9 MAR 01
 10 MAR 01
 11 MAR 01
 12 MAR 01
 13 MAR 01
 14 MAR 01
 15 MAR 01
 16 MAR 01
 17 MAR 01
 18 MAR 01
 19 MAR 01
 20 MAR 01
 21 MAR 01
 22 MAR 01
 23 MAR 01
 24 MAR 01
 25 MAR 01
 26 MAR 01
 27 MAR 01
 28 MAR 01
 29 MAR 01
 30 MAR 01
 31 MAR 01
 1 APR 01
 2 APR 01
 3 APR 01
 4 APR 01
 5 APR 01
 6 APR 01
 7 APR 01
 8 APR 01
 9 APR 01
 10 APR 01
 11 APR 01
 12 APR 01
 13 APR 01
 14 APR 01
 15 APR 01
 16 APR 01
 17 APR 01
 18 APR 01
 19 APR 01
 20 APR 01
 21 APR 01
 22 APR 01
 23 APR 01
 24 APR 01
 25 APR 01
 26 APR 01
 27 APR 01
 28 APR 01
 29 APR 01
 30 APR 01
 31 APR 01
 1 MAY 01
 2 MAY 01
 3 MAY 01
 4 MAY 01
 5 MAY 01
 6 MAY 01
 7 MAY 01
 8 MAY 01
 9 MAY 01
 10 MAY 01
 11 MAY 01
 12 MAY 01
 13 MAY 01
 14 MAY 01
 15 MAY 01
 16 MAY 01
 17 MAY 01
 18 MAY 01
 19 MAY 01
 20 MAY 01
 21 MAY 01
 22 MAY 01
 23 MAY 01
 24 MAY 01
 25 MAY 01
 26 MAY 01
 27 MAY 01
 28 MAY 01
 29 MAY 01
 30 MAY 01
 31 MAY 01
 1 JUN 01
 2 JUN 01
 3 JUN 01
 4 JUN 01
 5 JUN 01
 6 JUN 01
 7 JUN 01
 8 JUN 01
 9 JUN 01
 10 JUN 01
 11 JUN 01
 12 JUN 01
 13 JUN 01
 14 JUN 01

DESIGN DATA:
FOR DESIGN USE ONLY

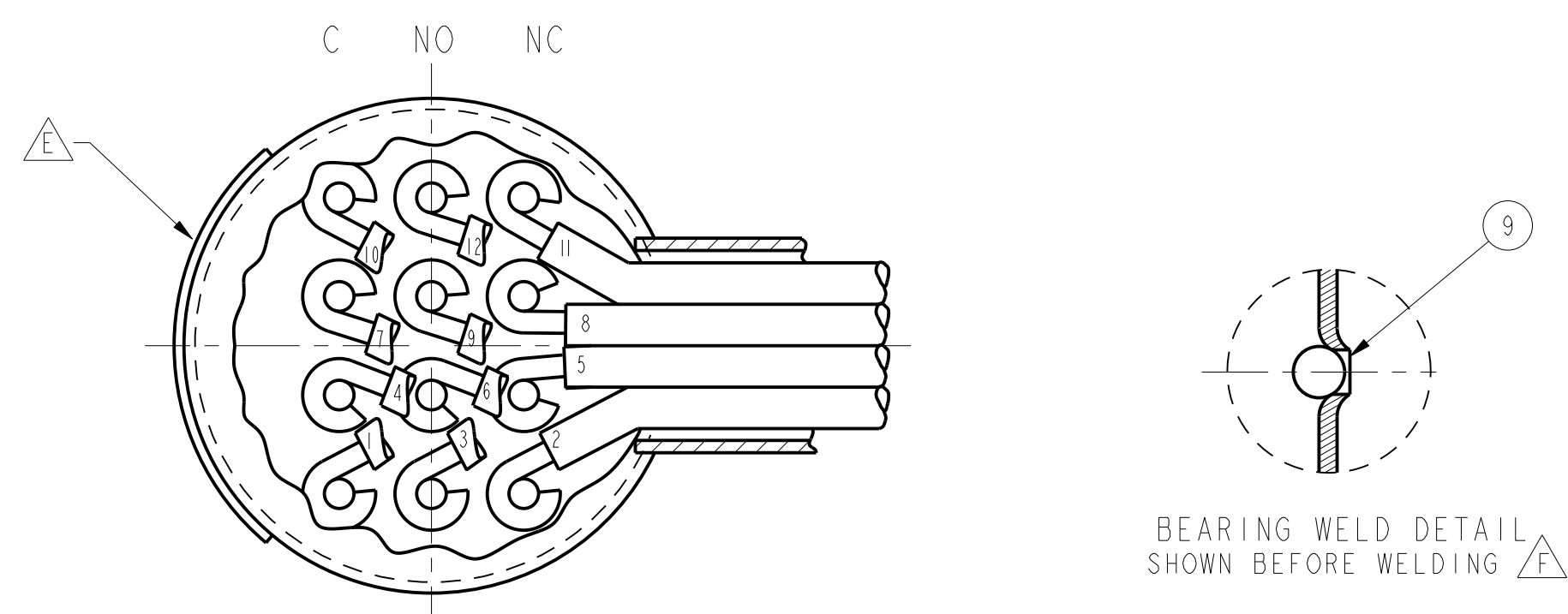
SAME AS 444EN1-6 EXCEPT:
1. CABLE
2. HOUSING
3. SHAFT
4. CONNECTOR
5. BACKSHELL
6. LEVER, ROD, HARDWARE
7. SPECIAL POTTING MOLD

(A) 444EN3-R

	DESCRIPTION	NUMBER	REQ'D
1	SWITCH, BASIC	EN-15844	1
2	PLATE, SPECIAL	EN-13056	1
3	ROD, THREADED	EN-15764	1
4	BEARING, SPECIAL	EN-15762	1
5	LEVER, SWITCH ACTUATING	EN-15745	1
6	SCREW, SETSCREW	EN-15754	2
7	RING, RETAINING	FE-30314	1
8	PIN, PLAIN	EN-15763	2
9	BEARING, BALL	EN-14798	1
10	NUT, SPECIAL	HR-10197	1
11	WASHER, LOCK	TS-10013	1



- NOTES
- A WELD PLATE TO HOUSING 360° (FULL WELD) SHOWN BEFORE EMBEDDING
 - B FURNISHED UNASSEMBLED
 - C EMBED TERMINAL AREA
 - D SOLDER WIRE LEADS ONTO BASIC SWITCH TERMINALS
 - E ATTACH NAMEPLATE TO SIDE OF HOUSING OPPOSITE WIRE LEADS
 - F PRINT CATALOG LISTING AND DATE CODE ON NAMEPLATE
 - G PIERCE FILL HOLE, BAKE, LEAK CHECK, PURGE, NITROGEN FILL AND SEAL
 - H STRIP END .250±.030 AND TIN
 - I POTTING SEAM TO HOUSING MUST BE NEAT AND CLEAN
 - J 2X TWO SPOT WELDS TO PIN INTO LEVER; BEARING MUST SWIVEL FREELY
 - K CHECK DIELECTRIC STRENGTH AT 750 VAC, 500 A MAX LEAKAGE
 - L 0 DEGREES 30' MINUTES MAX DEADBREAK PERMISSIBLE



SWITCH TERMINAL	LEAD COLOR	CONNECTOR PIN NO.	NOTE:
1 - COM	WHITE	1	ANY TRIPLE-BUNDLE CAN BE SOLDERED TO ANY SWITCH COMBINATION AS LONG AS THE LEAD COLOR IS MAINTAINED PER THE SEQUENCE DEFINED. THE CONNECTOR PIN NUMBERS MUST CONFORM TO THE LEAD COLOR
2 - N.C.	WH/BLUE	2	
3 - N.O.	WH/ORANGE	3	
4 - COM	WHITE	4	PER THE SEQUENCE DEFINED. THE CONNECTOR PIN NUMBERS MUST CONFORM TO THE LEAD COLOR
5 - N.C.	WH/BLUE	5	
6 - N.O.	WH/ORANGE	6	
7 - COM	WHITE	7	PER THE SEQUENCE DEFINED. THE CONNECTOR PIN NUMBERS MUST CONFORM TO THE LEAD COLOR
8 - N.C.	WH/BLUE	8	
9 - N.O.	WH/ORANGE	9	
10 - COM	WHITE	10	PER THE SEQUENCE DEFINED. THE CONNECTOR PIN NUMBERS MUST CONFORM TO THE LEAD COLOR
11 - N.C.	WH/BLUE	11	
12 - N.O.	WH/ORANGE	12	

A) 444EN3-R

PRODUCT CODE		NK-T0190	
CUST P/N:			
RELEASE NO. PR-21940			
REPLACES -			
B REV DWG	000180	CSL	SAV
A REV NOTES	201738	PLT	SAV
REV LET	REVISIONS	REVISION NOTICE	CHANGED BY CHECKED BY
ORIGINAL CUSTOMER:		MICRO SWITCH	
LEARJET		a Honeywell Division	
WICHITA, KS		PAGE 1 OF 1	
THIS DRAWING COVERS A PROPRIETARY ITEM AND IS THE PROPERTY OF MICRO SWITCH. A DIVISION OF HONEYWELL. THIS DRAWING IS NOT TO BE COPIED OR USED WITHOUT THE APPROVAL OF MICRO SWITCH.		DO NOT SCALE	

ISSUE NO. 5 (A) 444EN3-R

X-ON Electronics

Largest Supplier of Electrical and Electronic Components

Click to view similar products for [Basic / Snap Action Switches](#) category:

Click to view products by [Honeywell](#) manufacturer:

Other Similar products are found below :

[83228001](#) [01.098.1358.1](#) [602EN1-6B](#) [602EN532](#) [602EN535-RB](#) [602HE5-RB1](#) [604HE162](#) [604HE223-6B](#) [624HE17-RB](#) [6HM89](#) [6PA78-JM](#)
[6SE1](#) [6SX1-H58](#) [70500840](#) [MBD5B1](#) [MBH2731](#) [73-316-0012](#) [79211759](#) [79211923](#) [79218589](#) [7AS12](#) [ML-1155](#) [ML-1376](#) [831010C3.0](#)
[831060C3.TL](#) [831090C2.EL](#) [83131904](#) [84212012](#) [8AS239](#) [8HM73-3](#) [903VB1-PG](#) [914CE1-6G](#) [PL-100](#) [11SM1077-H4](#) [11SM1077-H58](#)
[11SM1-TN107](#) [11SM405](#) [11SM703-T](#) [11SM8423-H2](#) [11SX37-T](#) [11SX48-H58](#) [11SX55-H58](#) [11SM2442-T](#) [11SM76-T](#) [11SM77-H58](#)
[11SM77-T](#) [11SM863-T](#) [11SM866](#) [11SX47-H58](#) [A7CN-1M-1-LEFT](#)