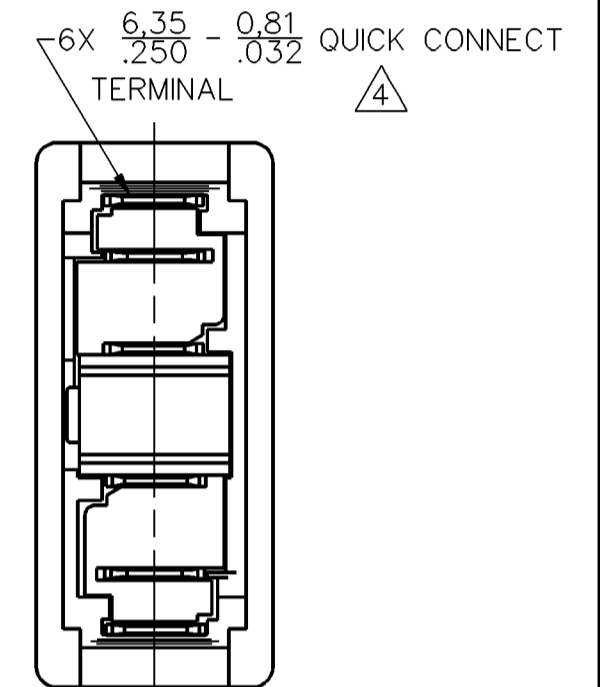
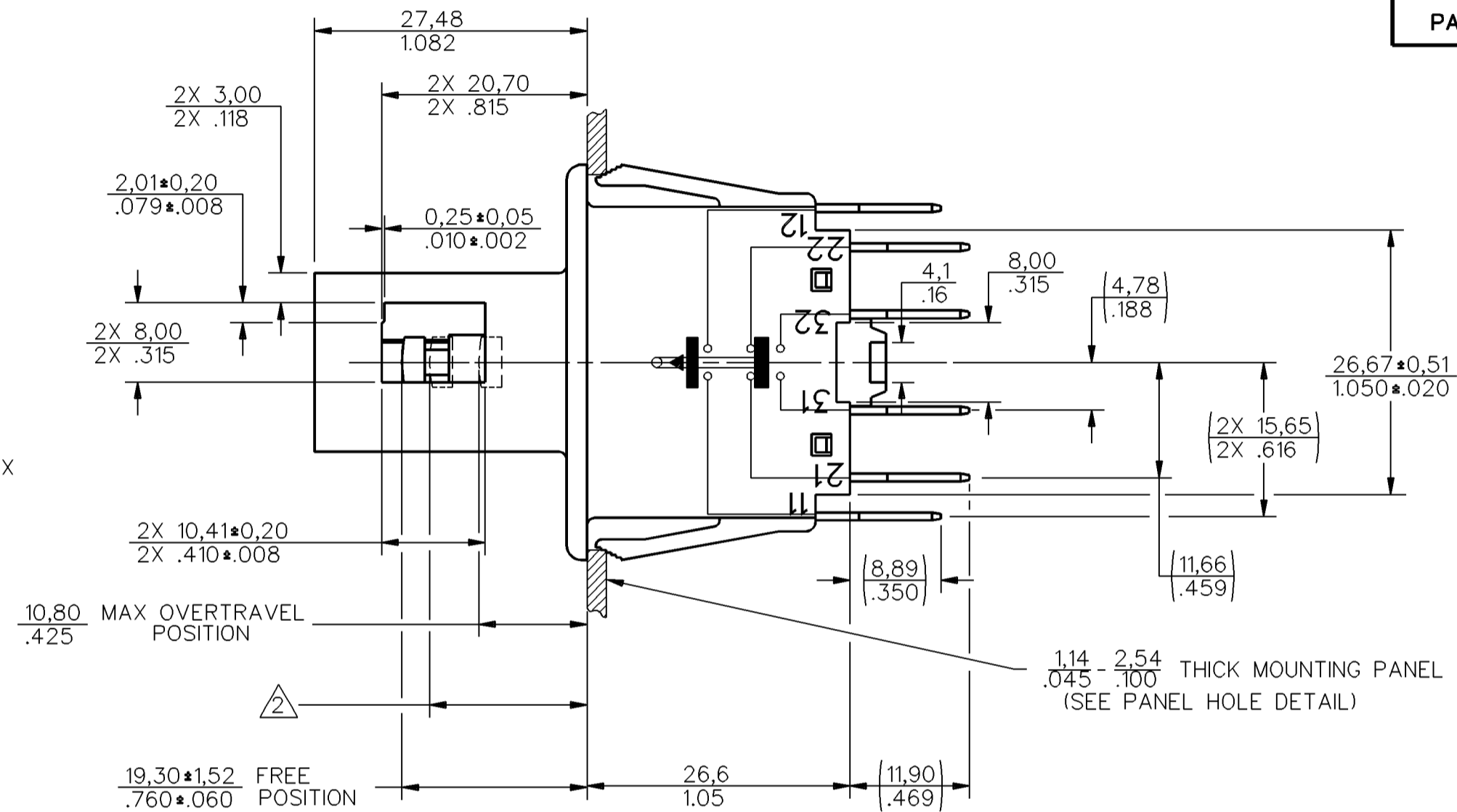
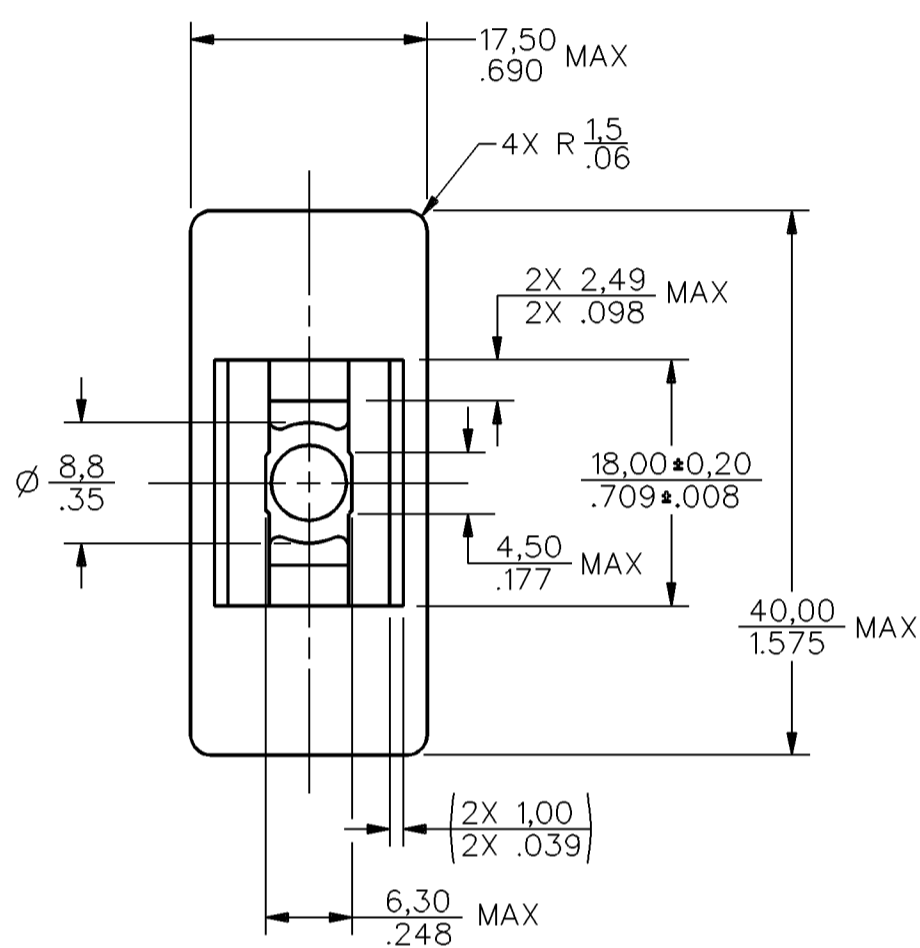
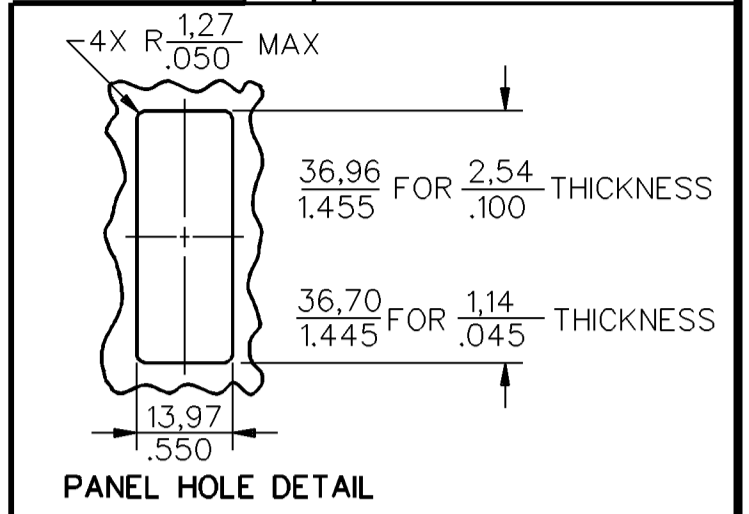
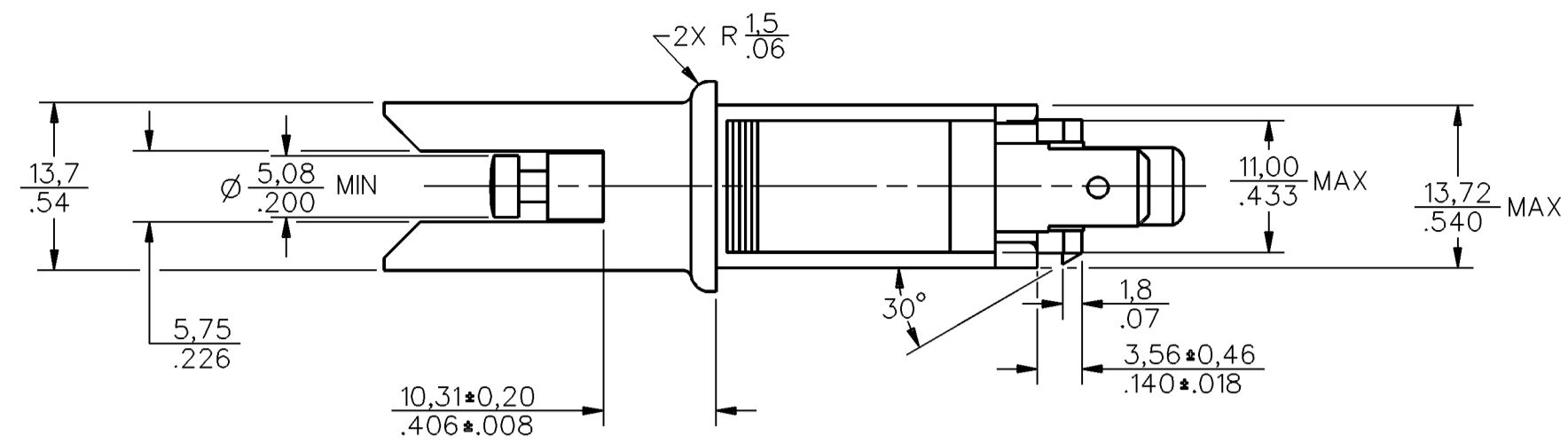


M WW2K29H-D9



NOTES

1 - HOUSING HAS BOSS AROUND PLUNGER TO MEET BSI AND VDE AGENCY 8,0/.315 CLEARANCE REQUIREMENT

- △ OPERATING POSITIONS: CIR 11-12  $\frac{15.24 \pm 0.76}{.600 \pm .030}$
- CIR 21-22  $\frac{14.48 \pm 0.76}{.570 \pm .030}$
- CIR 31-32  $\frac{15.37 \pm 0.76}{.605 \pm .030}$

- 3 - BLACK PLASTIC HOUSING AND PLUNGER
- △ QUICK-CONNECT TERMINALS CONFORM TO  $\frac{6.35}{.250}$  WIDE X  $\frac{0.81}{.032}$  THICK NEMA DC-2 SPECIFICATION
- 5 - DO NOT SNAP RELEASE PLUNGER, MAY CAUSE DAMAGE TO PLUNGER ASSEMBLY
- 6 - WHEN DEPRESSING THE PLUNGER, CIRCUITS 11-12 AND 31-32 MUST CLOSE WITHIN A RANGE OF  $\frac{0.05}{.002}$  TO  $\frac{2.00}{.079}$  BEFORE CIRCUIT 21-22 OPENS
- 7 - WHEN RELEASING THE PLUNGER, CIRCUITS 11-12 AND 31-32 MUST OPEN WITHIN A RANGE OF  $\frac{0.05}{.002}$  TO  $\frac{2.00}{.079}$  AFTER CIRCUIT 21-22 CLOSES

- △ CIR 11-12, 31-32  $\frac{4.32}{.170}$  MIN
- CIR 21-22  $\frac{3.56}{.140}$  MIN

CHARACTERISTICS	ELECTRICAL DATA
OPERATING FORCE — — — — 40 OZ MAX AT .484 FROM MOUNTING PANEL	CONTACT ARRANGEMENT TRIPLE POLE
OVERTRAVEL — — — — △	5A - 125 VAC; 2A - 24 VDC (CKT 11-12 & 31-32) 0.1A - 125 VAC - DC (CKT 21 - 22) 60/75°C (Cu)

THIS DRAWING COVERS A PROPRIETARY ITEM AND IS THE PROPERTY OF MICRO SWITCH, A DIVISION OF HONEYWELL. THIS DRAWING IS NOT TO BE COPIED OR USED WITHOUT THE APPROVAL OF MICRO SWITCH.

**MICRO SWITCH**  
a Honeywell Division

SWITCH - BASIC

WW2K29H-D9

FED. MFG. CODE 91929

THIRD ANGLE PROJECTION			
SCALE 2:1			
DO NOT SCALE PRINT			
TOLERANCES			
APPLY TO DESIGN UNITS. CONVERSIONS ARE ONLY FOR REFERENCE. UNLESS NOTED, TOLERANCES ARE ±			
DIM	TOL	DIM	TOL
mm	mm/in	in	mm/in
NO PLACES	±	1/64	
ONE PLACE	±	0.4/.016	±.XX 0.8/.03
TWO PLACES	±.XX	0.15/.006	±.XXX 0.38/.015
THREE PLACES	±.XXX		±.XXXX 0.15/.005
ANGLES	5°		
SI METRIC		US CUSTOMARY	
DESIGN UNITS	SI METRIC		
WEIGHT			

RASTER  
 DRAWN  
 J.W.B. 27 OCT 92  
 CHECK  
 J.W.B. 27 OCT 92  
 CHECK  
 REVISIONS  
 A 204751  
 G.J.W.  
 JAN 92  
 ISSUE  
 2  
 CATALOG LISTING  
 WW2K29H-D9  
 PAGE 1 OF 1  
 RELEASE NO. PR-20330-I  
 REPLACES X96932-WW

ANSI Y14.5M-1982 APPLIES

## X-ON Electronics

Largest Supplier of Electrical and Electronic Components

*Click to view similar products for [Basic / Snap Action Switches](#) category:*

*Click to view products by [Honeywell](#) manufacturer:*

Other Similar products are found below :

[83228001](#) [01.098.1358.1](#) [602EN1-6B](#) [602EN532](#) [602EN535-RB](#) [602HE5-RB1](#) [604HE162](#) [604HE223-6B](#) [624HE17-RB](#) [6HM89](#) [6PA78-JM](#)  
[6SE1](#) [6SX1-H58](#) [70500840](#) [MBD5B1](#) [MBH2731](#) [73-316-0012](#) [79211759](#) [79211923](#) [79218589](#) [7AS12](#) [ML-1155](#) [ML-1376](#) [831010C3.0](#)  
[831060C3.TL](#) [831090C2.EL](#) [83131904](#) [84212012](#) [8AS239](#) [8HM73-3](#) [903VB1-PG](#) [914CE1-6G](#) [PL-100](#) [11SM1077-H4](#) [11SM1077-H58](#)  
[11SM1-TN107](#) [11SM405](#) [11SM703-T](#) [11SM8423-H2](#) [11SX37-T](#) [11SX48-H58](#) [11SX55-H58](#) [11SM2442-T](#) [11SM76-T](#) [11SM77-H58](#)  
[11SM77-T](#) [11SM863-T](#) [11SM866](#) [11SX47-H58](#) [A7CN-1M-1-LEFT](#)