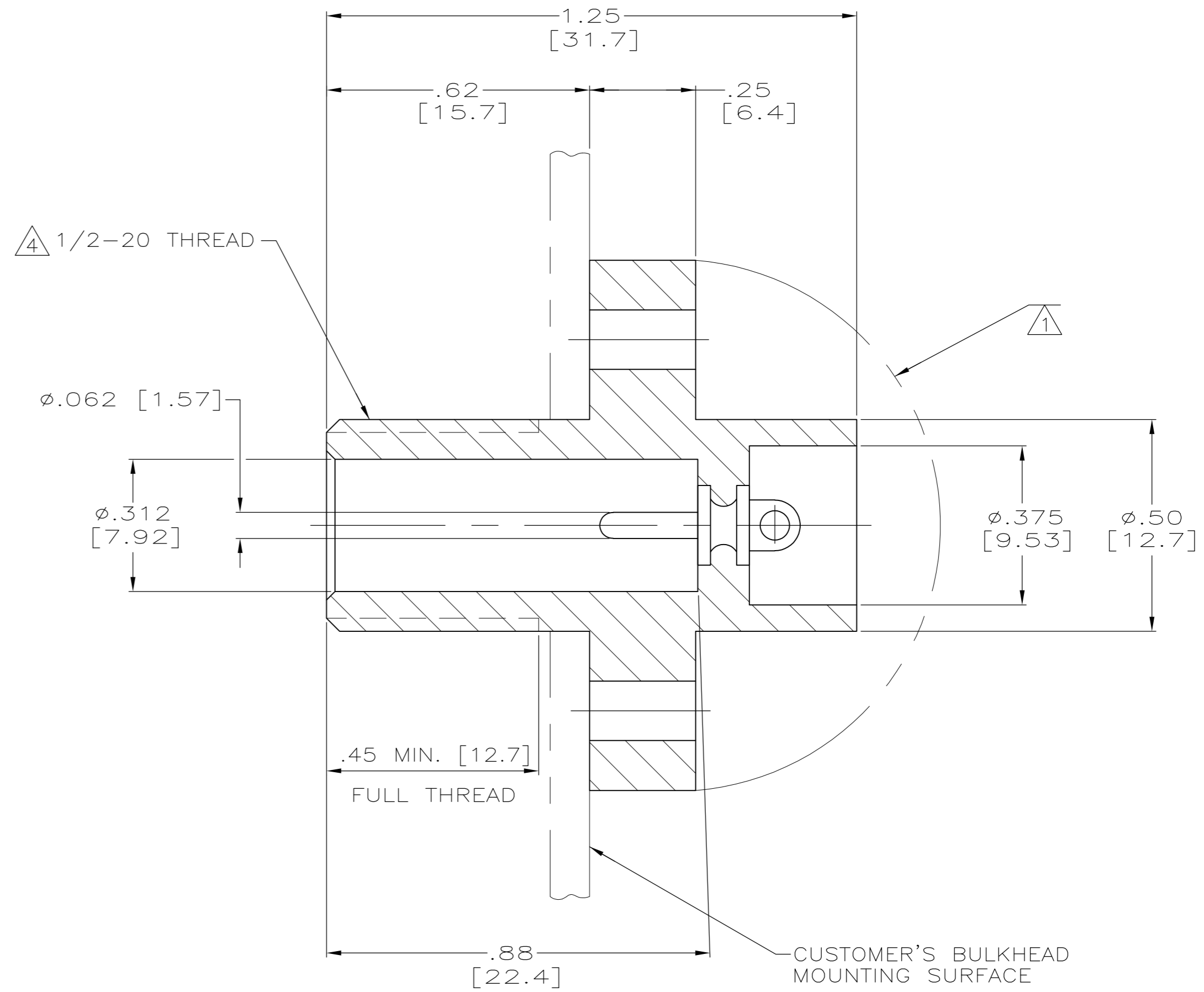
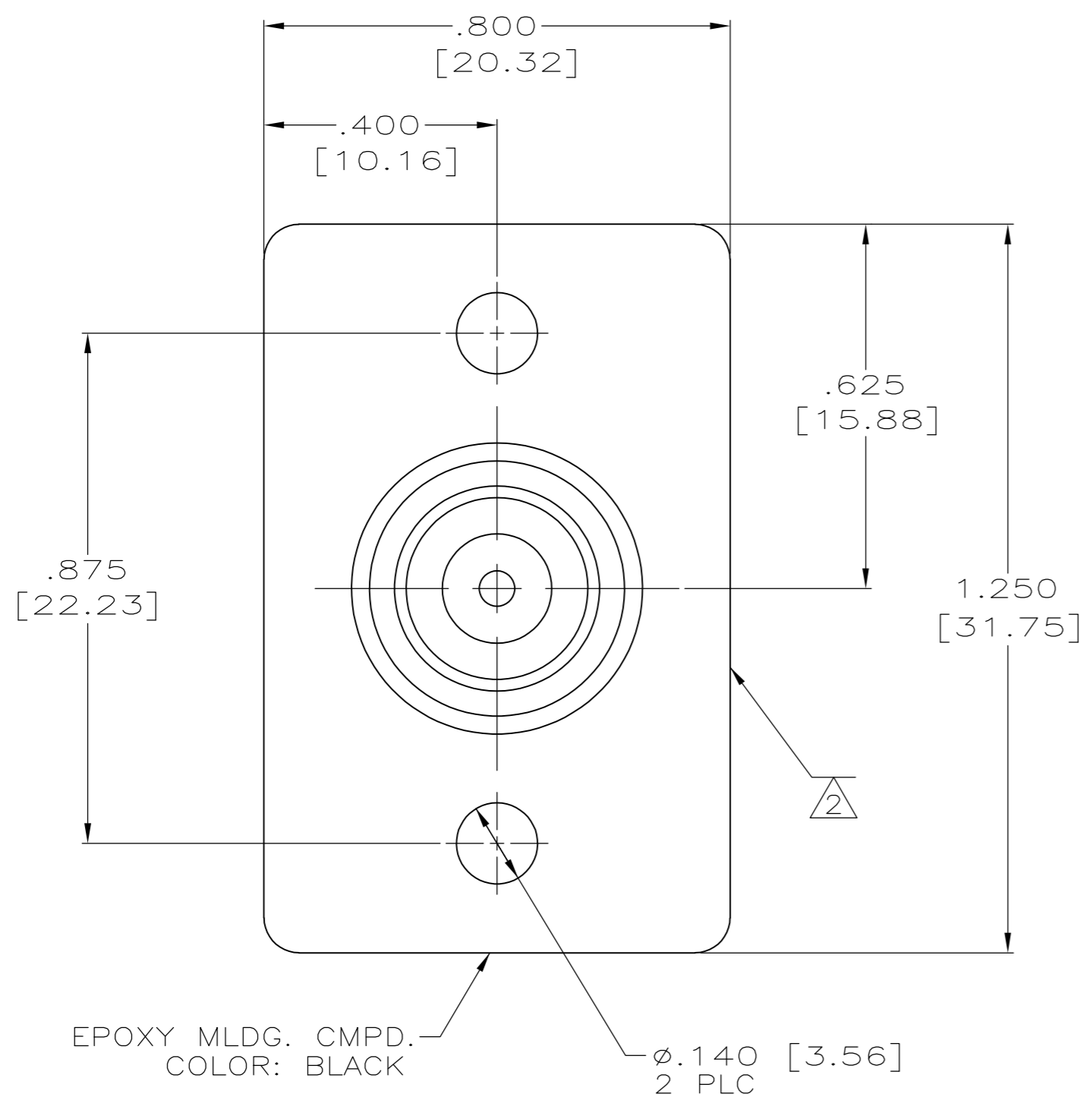


THIS DRAWING IS UNPUBLISHED. RELEASED FOR PUBLICATION - N/A .
 © COPYRIGHT N/A BY TYCO ELECTRONICS CORPORATION. ALL INTERNATIONAL RIGHTS RESERVED.

LOC	DIST	REVISIONS					
DF	SO	P	LTR	DESCRIPTION	DATE	DWN	APVD
		C		REVISED PER ECO-09-010967	05JUN09	CT	DE



- 1 CUSTOMER MUST PROTECT BACK END AGAINST ARC OVER & BREAKDOWN IF BULKHEAD & MOUNTING HARDWARE ARE METALLIC & AT GROUND POTENTIAL.
- 2 MARKED PER MIL-STD-130.
- 3 -
- 4 PER FEDERAL STANDARD H-28, 3 WIRE METHOD. DIMENSION OVER WIRES TO BE .497-.510 [12.62-12.95].
- 5. RECEPTACLE TO MATE WITH ANY AMP LGH-1 LEAD ASSY.

RCPT ASSY (TIN PLATED PIN)	5-449690-1
RCPT ASSY (TIN-LEAD PLATED PIN)	449690-1
DESCRIPTION	PART NO.

THIS DRAWING IS A CONTROLLED DOCUMENT.		DWN	C.C.THOMAS	10-SEP-93	Tyco Electronics Corporation Harrisburg, Pa 17105-3608
DIMENSIONS: INCHES		CHK	S.GLATFELTER	13-SEP-93	
TOLERANCES UNLESS OTHERWISE SPECIFIED:		APVD	S.GLATFELTER	13-SEP-93	
0 PLC ± - 1 PLC ± - 2 PLC ± .02[0.5] 3 PLC ± .005[0.13] 4 PLC ± - ANGLES ± - FINISH -		PRODUCT SPEC	NAME		
MATERIAL		APPLICATION SPEC	BULKHEAD RCPT ASSY LGH-1		RESTRICTED TO
		WEIGHT	A2 00779 C=449690		
		CUSTOMER DRAWING		SCALE 4:1	SHEET 1 of 1

449690

A

X-ON Electronics

Largest Supplier of Electrical and Electronic Components

Click to view similar products for [Heavy Duty Power Connectors](#) category:

Click to view products by [TE Connectivity](#) manufacturer:

Other Similar products are found below :

[1424439](#) [1424438](#) [09330062652](#) [2-8675P1](#) [580129-2](#) [605601-1](#) [6340G1](#) [6341G1](#) [6360G1](#) [6373G1](#) [6374g2](#) [6396G1](#) [647757-1](#) [66394-4](#)
[6643411-1](#) [6646058-2](#) [6646137-1](#) [6646138-1](#) [6646348-1](#) [6646479-1](#) [6646608-1](#) [6646786-1](#) [6646940-1](#) [6651091-1](#) [6651525-1](#) [6651529-1](#)
[6651778-1](#) [6651788-1](#) [696465-1](#) [696475-1](#) [73000005059](#) [73000005349](#) [73000005642](#) [73080255059](#) [73080965046](#) [765-15-0080A](#)
[765-16-0080B](#) [789.700-44](#) [789.700-54](#) [80-1010](#) [80-9](#) [827381-1](#) [829992-1](#) [902-77-02113](#) [PL00U-301-10D10](#) [PM103MOOLOO](#)
[PM16S1620S32-50](#) [PM212MOOLOO](#) [PM309FOOLOO](#) [PM324FOOLCH](#)