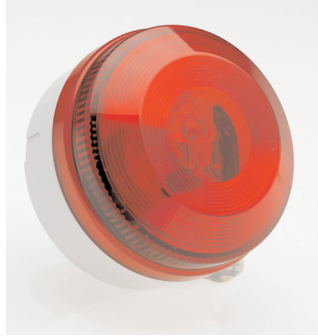


Visual Signals XENON BEACONS

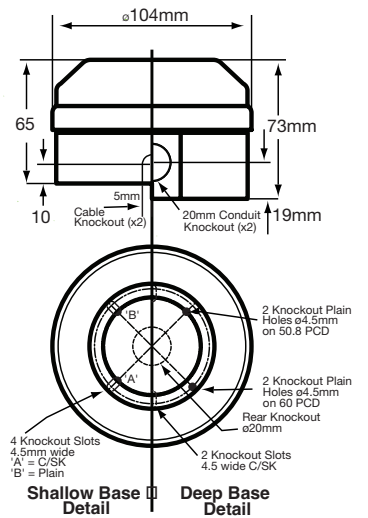


Industrial Xenon Beacons > X195 Series

Product overview

The X195 Series utilises a discharge capacitor and converter circuit to ignite xenon gas inside a tube, resulting in a brilliant flash of light. Xenon gas ignites virtually instantaneously so maximum brightness is obtained

immediately. Xenons have an added advantage of low current consumption combined with a reasonable life span. Xenon beacons are one of the most efficient, effective and brightest visual signals available. The X195 series offers shallow base and deep base options - the deep base version having side entry as well as bottom entry. Synchronized version available.



FEATURES

Continuously rated

Suitable for surface or wall mounting

Suitable for use with conduit BESA box

M20 side entry [deep base only] or bottom cable entry

IP65

MATERIAL

UV Stable Polycarbonate Lens
ABS Plastic Base

Code No:	Voltage:	Light Source:	Current:
X195-02WH-SB	15-28v Ac/Dc \approx	Xenon 5.0J	310 mA
X195-02WH	15-28v Ac/Dc \approx	Xenon 5.0J	310mA
X195-05WH-SB	180-250v Ac \sim	Xenon 5.0J	110 mA
X195-05WH	180-250v Ac \sim	Xenon 5.0J	110mA



Kg 0.25

50 Hz

°C -25+45

IP 65

FPM 60

FIRE

APPROVAL AND CONFORMITIES



ADD THE FOLLOWING LENS CODES TO THE PRODUCT CODE WHEN ORDERING

01

02

03

04

05

INDUSTRIAL

X-ON Electronics

Largest Supplier of Electrical and Electronic Components

Click to view similar products for [Audio Indicators & Alerts](#) category:

Click to view products by [Moflash Signalling](#) manufacturer:

Other Similar products are found below :

[M2BJ-BH24E](#) [6-4](#) [68S1240-PA](#) [MBA-624](#) [F/BC 40P-DR LF](#) [FDG111PLF](#) [F/NRMB 24 BLACK LF](#) [PF-35N29WQ](#) [PFD-27A35PQ](#) [PL-27A35PSQ](#) [PS-531Q](#) [AB2020B-2-LW1](#) [EBPT-401](#) [PB06SD12AP](#) [PB-1220PEQ](#) [S6109](#) [SC2036ACP](#) [SC616N-2](#) [SC628FW](#) [SC628MPG](#) [SC648D](#) [SCS045MD9DT3S](#) [AB2025B-LW50-R](#) [ESZ-25B-5-250B](#) [F/BC 35-DR LF](#) [FCM12PLF](#) [F/EB20P-DR LF](#) [F/HU110MP24V-IP67B LF](#) [AI-2835-TF-LW150-2-R](#) [AI-4228-TF-LW305-R](#) [FSMD8585JSLF](#) [FSS-26T](#) [F/SU 21-02 LF](#) [F/TCW 05 WITH LABEL LF](#) [F/UCW 03 WITH LABEL LF](#) [F/UCW 06 WITH LABEL LF](#) [PKM22EPPH40S1-B0](#) [PKM35-4A0](#) [PL-35N29WQ](#) [PLD-27A35PQ](#) [PS-552Q](#) [CM-5](#) [M2BJ-BH24E-D](#) [REF-202](#) [LSC628ANR](#) [5-100](#) [PAL-328](#) [03-810.001](#) [RTO-1R07-001](#) [PL-21N31PQ](#) [PF-27A25PSQ](#)