

SPECIFICATION CONTROL DRAWING

44A113X

TITLE CABLE, RADIATION-CROSSLINKED, POLYALKENE-INSULATED, THREE CONDUCTOR, SHIELDED, JACKETED, LIGHTWEIGHT, GENERAL PURPOSE

Date 28-Mar-11

Revision F1

This specification sheet forms a part of the latest issue of Raychem Specification 44 and MIL-W-81044 as applicable

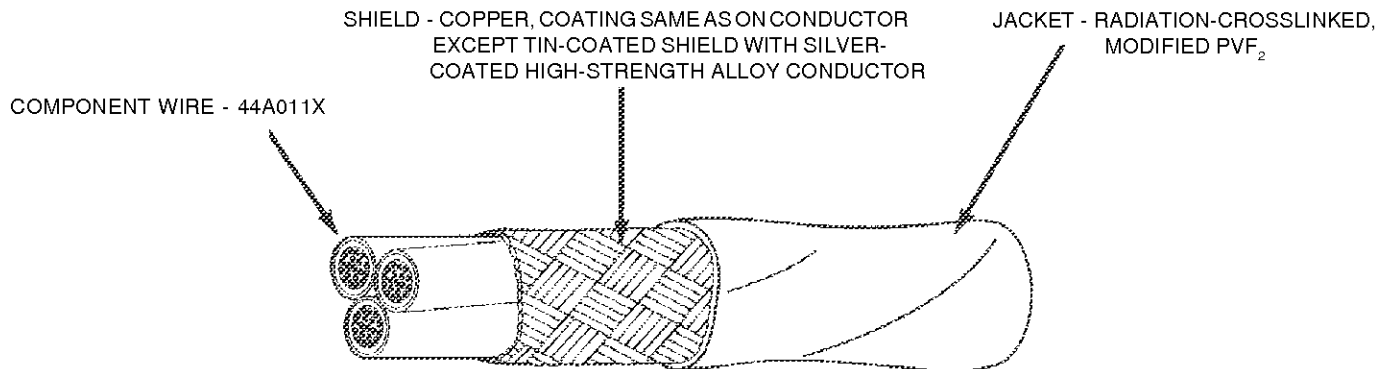


TABLE I. CABLE CONSTRUCTION DETAILS

PART NUMBER 1/	CONDUCTOR SIZE (AWG)	SHIELD SIZE (AWG)	JACKET THICKNESS (in.)		OUTSIDE DIAMETER (in.)		MAXIMUM WEIGHT (lb/1000 ft)
			MINIMUM	NOMINAL	NOMINAL	MAXIMUM	
44A113X-26*	26	36	.006	.008	.111	.116	11.1
44A113X-24*	24	36	.006	.008	.124	.129	14.4
44A113X-22*	22	36	.006	.008	.140	.145	18.8
44A113X-20*	20	36	.006	.008	.157	.163	25.0
44A113X-18*	18	36	.007	.009	.180	.185	34.4
44A113X-16*	16	36	.007	.009	.196	.201	41.1
44A113X-14*	14	36	.007	.009	.232	.239	59.6
44A113X-12*	12	36	.008	.010	.275	.282	86.8

TABLE II. CABLE PERFORMANCE DETAILS

PART NUMBER 1/	BEND TESTING			
	MANDREL DIAMETER (inch) (± 3%)		WEIGHT (lb) (± 3%)	
	LIFE CYCLE, IMMERSION AND ACCELERATED AGING	COLD BEND	LIFE CYCLE, IMMERSION AND ACCELERATED AGING	COLD BEND
44A113X-26*	3.00	3.00	.375	2.25
44A113X-24*	3.00	3.00	.563	2.25
44A113X-22*	6.00	6.00	.563	4.50
44A113X-20*	6.00	6.00	.563	4.50
44A113X-18*	6.00	6.00	.750	4.50
44A113X-16*	6.00	6.00	.750	4.50
44A113X-14*	6.00	6.00	1.50	14.0
44A113X-12*	10.0	10.0	1.50	14.0

NOTE: Nominal values are for information only.
Nominal values are not requirements.

Users should evaluate the suitability of this product for their application. Specifications are subject to change without notice.
TE Connectivity also reserves the right to make changes in materials or processing, which do not affect compliance with any specification, without notification to Buyer.

1/ COLORS AND COLOR CODE DESIGNATORS SHALL BE IN ACCORDANCE WITH MIL-STD-681. HOWEVER, DUE TO LENGTH LIMITATIONS OF THE RAYCHEM PART NUMBER, AN ALTERNATIVE COLOR CODE MAY REPLACE MIL-STD-681 COLOR CODE DESIGNATORS. (EXAMPLE: "901/902..." MAY BE REPLACED BY "Axxx") OTHER CODES AND SUFFIXES MAY BE ADDED TO THE PART NUMBER, AS NECESSARY, TO CAPTURE ANY ADDITIONAL REQUIREMENTS IMPOSED BY THE PURCHASE ORDER.

DIMENSIONS ARE IN INCHES, AND UNLESS OTHERWISE DESIGNATED ARE NOMINAL.

THIS SPECIFICATION SHEET TAKES PRECEDENCE OVER DOCUMENTS REFERENCED HEREIN. REFERENCED DOCUMENTS SHALL BE OF THE ISSUE IN EFFECT ON DATE OF INVITATION FOR BID.



TE Connectivity Wire & Cable
501 Oakside Avenue
Redwood City, CA 94063-3800
Phone: 1-800-227-8816
Fax: 1-650-361-6297

CABLE RATINGS AND ADDITIONAL REQUIREMENTS

TEMPERATURE RATING: 150 °C

Maximum continuous conductor temperature

VOLTAGE RATING: 600 volts (rms) at sea level

ACCELERATED AGING: 300 ± 3 °C for 6 hours

BLOCKING: 150 ± 3 °C for 6 hours

DIELECTRIC WITHSTAND: 2500 volts (rms), 60 Hz, 1 minute

FLAMMABILITY: 30 seconds (maximum); 3 in. (maximum); no flaming of facial tissue

IMMERSION: Diameter increase 5% (maximum); no cracking, no dielectric breakdown

JACKET COLOR: White preferred

JACKET CONCENTRICITY: 70% (minimum)

JACKET ELONGATION AND TENSILE STRENGTH:

Elongation, 200% (minimum)

Tensile Strength, 4000 lbf/in² (minimum)

JACKET FLAWS:

Spark Test, 1.5 kV (rms)

Impulse Dielectric Test, 6.0 kV (peak)

LIFE CYCLE: 200 ± 3 °C for 168 hours

LOW TEMPERATURE-COLD BEND: -65 ± 2 °C for 4 hours

SHIELD COVERAGE: 85% (minimum)

VOLTAGE WITHSTAND TEST (Post Environmental) :

1000 volts (rms), 60 Hz, 1 minute

PART NUMBER:

The "X" in the part numbers on page 1 shall be replaced by the applicable conductor material designator as follows:

- 1 tin-coated copper
- 2 silver-coated copper
- 3 nickel-coated copper
- 4 silver-coated high strength copper alloy
- 6 nickel-coated high strength copper alloy

The "*" in the part numbers on page 1 shall be replaced by color code designators with a slash separating component wire colors and a dash separating the component wire color from the jacket color.

Components are not necessarily shown in sequence of manufacturing.

1/ Example: AWG 20, tin-coated copper, black, brown and red component wires;
white jacket: 44A1131-20-0/1/2-9

1/ see footer section on page 1

X-ON Electronics

Largest Supplier of Electrical and Electronic Components

Click to view similar products for [Multi-Conductor Cables](#) category:

Click to view products by [TE Connectivity](#) manufacturer:

Other Similar products are found below :

[89182-010-1000](#) [89705-008-500](#) [6000FE-877-1000](#) [CS2885-000](#) [M27500-20SP2S23](#) [6300FE-877-U1000](#) [6309UE-877-1000](#) [M3905-BK005](#)
[6502FE 8771000](#) [6541PA-008-U1000](#) [CV6807-000](#) [CW9530-000](#) [CX6543-000](#) [CXA-0066-20-4-9CS2973](#) [CXA-0078-16-1-9CS2405](#) [CXA-](#)
[0078-22-4-9CS2405](#) [CXA-0078-24-4-9CS2405](#) [CXA-0140-16-6/9-9CS2405](#) [CY0660-000](#) [720451-000](#) [752687-000](#) [768146-000](#) [773159-000](#)
[82841-877-5000](#) [83318E-009-500](#) [8348-060-500](#) [83559-002-1000](#) [83653-002-5000](#) [83659-002-1000](#) [83709-002-1000](#) [8404-060-500](#) [8469](#)
[060100](#) [858171-000](#) [8628-060-500](#) [868361-001](#) [8730-060-1000](#) [8737-060-U1000](#) [8747-060-100](#) [8747-060-1000](#) [8769-060-1000](#) [8775-060-](#)
[500](#) [877541-000](#) [8780-060-1000](#) [8782-001-U1000](#) [88444-002-1000](#) [9159-060-500](#) [939870-000](#) [9423 060U500](#) [9444 060U1000](#) [9497](#)
[0001000](#)