

256k, 32k x 8-Bit, 5V, Byte Alterable EEPROM

X28HC256

The [X28HC256](#) is a second generation high performance CMOS 32k x 8 EEPROM. It is fabricated with Intersil's proprietary, textured poly floating gate technology, providing a highly reliable 5V only nonvolatile memory.

The X28HC256 supports a 128-byte page write operation, effectively providing a 24µs/byte write cycle, and enabling the entire memory to be typically rewritten in less than 0.8s. The X28HC256 also features $\overline{\text{DATA}}$ polling and Toggle bit polling, two methods of providing early end of write detection. The X28HC256 also supports the JEDEC standard software data protection feature for protecting against inadvertent writes during power-up and power-down.

Endurance for the X28HC256 is specified as a minimum 100,000 write cycles per byte and an inherent data retention of 100 years.

Features

- Access time: 90ns
- Simple byte and page write
 - Single 5V supply
 - No external high voltages or $V_{P,P}$ control circuits
 - Self timed
 - No erase before write
 - No complex programming algorithms
 - No overerase problem
- Low power CMOS
 - Active: 60mA
 - Standby: 500µA
- Software data protection
 - Protects data against system level inadvertent writes
- High speed page write capability
- Highly reliable Direct Write™ cell
 - Endurance: 100,000 cycles
 - Data retention: 100 years
- Early end of write detection
 - $\overline{\text{DATA}}$ polling
 - Toggle bit polling
- RoHS compliant

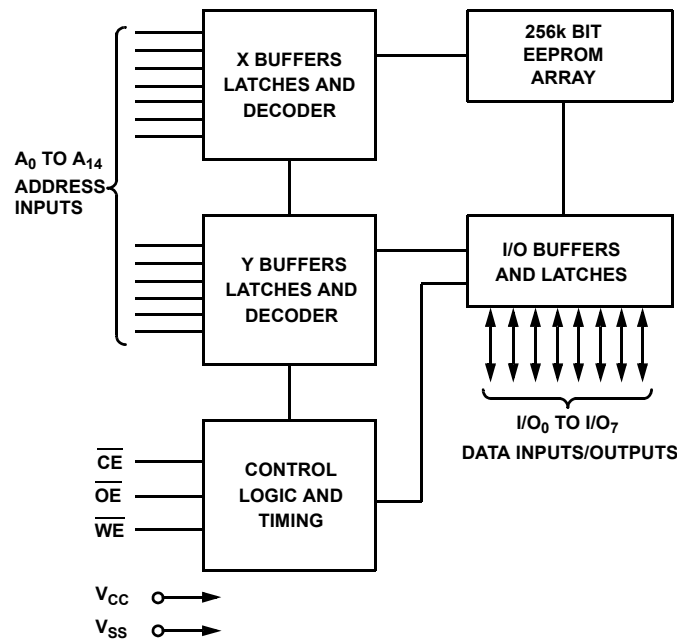


FIGURE 1. BLOCK DIAGRAM

X28HC256

Ordering Information

| PART NUMBER (Note 4) | PART MARKING | ACCESS TIME (ns) | TEMP. RANGE (°C) | PACKAGE | PKG. DWG. # |
|--------------------------------|-------------------|---------------------|---------------------|-------------------------------------|-------------|
| X28HC256JZ-15 (Notes 1, 3) | X28HC256J-15 ZHY | 150 | 0 to +70 | 32 Ld PLCC (RoHS Compliant) | N32.45x55 |
| X28HC256JI-15 (Note 1) | X28HC256JI-15 HY | 150 | -40 to +85 | 32 Ld PLCC | N32.45x55 |
| X28HC256JIZ-15 (Notes 1, 3) | X28HC256JI-15 ZHY | 150 | -40 to +85 | 32 Ld PLCC (RoHS Compliant) | N32.45x55 |
| X28HC256PZ-15 (Notes 2, 3) | X28HC256P-15 HYZ | 150 | 0 to +70 | 28 Ld PDIP (RoHS Compliant) | E28.6 |
| X28HC256PIZ-15 (Notes 2, 3) | X28HC256PI-15 HYZ | 150 | -40 to +85 | 28 Ld PDIP (RoHS Compliant) | E28.6 |
| X28HC256JZ-12 (Notes 1, 3) | X28HC256J-12 ZHY | 120 | 0 to +70 | 32 Ld PLCC (RoHS Compliant) | N32.45x55 |
| X28HC256JI-12 (Note 1) | X28HC256JI-12 HY | 120 | -40 to +85 | 32 Ld PLCC | N32.45x55 |
| X28HC256JIZ-12 (Notes 1, 3) | X28HC256JI-12 ZHY | 120 | -40 to +85 | 32 Ld PLCC (RoHS Compliant) | N32.45x55 |
| X28HC256PZ-12 (Notes 2, 3) | X28HC256P-12 HYZ | 120 | 0 to +70 | 28 Ld PDIP (RoHS Compliant) | E28.6 |
| X28HC256PIZ-12 (Notes 2, 3) | X28HC256PI-12 HYZ | 120 | -40 to +85 | 28 Ld PDIP (RoHS Compliant) | E28.6 |
| X28HC256SZ-12 (Note 3) | X28HC256S-12 HYZ | 120 | 0 to +70 | 28 Ld SOIC (300mils RoHS Compliant) | MDP0027 |
| X28HC256SI-12 | X28HC256SI-12 HY | 120 | -40 to +85 | 28 Ld SOIC (300mils) | M28.3 |
| X28HC256SIZ-12 (Note 3) | X28HC256SI-12 HYZ | 120 | -40 to +85 | 28 Ld SOIC (300mils RoHS Compliant) | MDP0027 |
| X28HC256JZ-90 (Notes 1, 3) | X28HC256J-90 ZHY | 90 | 0 to +70 | 32 Ld PLCC (RoHS Compliant) | N32.45x55 |
| X28HC256JI-90 (Note 1) | X28HC256JI-90 HY | 90 | -40 to +85 | 32 Ld PLCC | N32.45x55 |
| X28HC256JIZ-90 (Notes 1, 3) | X28HC256JI-90 ZHY | 90 | -40 to +85 | 32 Ld PLCC (RoHS Compliant) | N32.45x55 |
| X28HC256PZ-90 (Notes 2, 3) | X28HC256P-90 HYZ | 90 | 0 to +70 | 28 Ld PDIP (RoHS Compliant) | E28.6 |
| X28HC256PIZ-90 (Notes 2, 3) | X28HC256PI-90 HYZ | 90 | -40 to +85 | 28 Ld PDIP (RoHS Compliant) | E28.6 |
| X28HC256SI-90 | X28HC256SI-90 HY | 90 | -40 to +85 | 28 Ld SOIC (300mils) | M28.3 |
| X28HC256SIZ-90 (Note 3) | X28HC256SI-90 HYZ | 90 | -40 to +85 | 28 Ld SOIC (300mils RoHS Compliant) | MDP0027 |

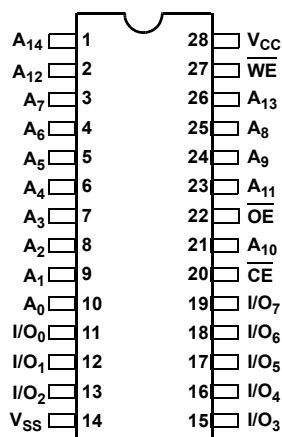
NOTES:

1. Add "T*" suffix for tape and reel. Please refer to [TB347](#) for details on reel specifications.
2. Pb-free PDIPs can be used for through hole wave solder processing only. They are not intended for use in Reflow solder processing applications.
3. These Intersil Pb-free plastic packaged products employ special Pb-free material sets, molding compounds/die attach materials, and 100% matte tin plate plus anneal (e3 termination finish, which is RoHS compliant and compatible with both SnPb and Pb-free soldering operations). Intersil Pb-free products are MSL classified at Pb-free peak reflow temperatures that meet or exceed the Pb-free requirements of IPC/JEDEC J STD-020.
4. For Moisture Sensitivity Level (MSL), please see product information page for [X28HC256](#). For more information on MSL, please see tech brief [TB363](#).

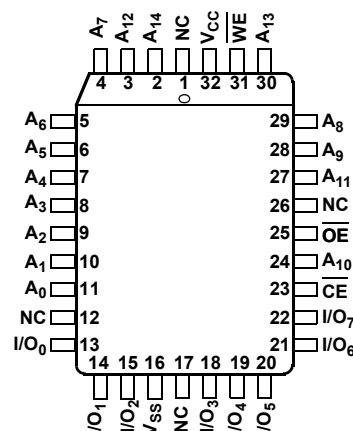
X28HC256

Pin Configurations

X28HC256
(28 LD FLATPACK, PDIP, SOIC)
TOP VIEW



X28HC256
(32 LD PLCC, LCC)
TOP VIEW



Pin Descriptions

| PIN NAME | PIN # PDIP, SOIC | PIN # PLCC, LCC | DESCRIPTION |
|---|---|--|---|
| A ₀ , A ₁ , A ₂ , A ₃ , A ₄ , A ₅ , A ₆ , A ₇ , A ₈ , A ₉ , A ₁₀ , A ₁₁ , A ₁₂ , A ₁₃ , A ₁₄ | 10, 9, 8, 7, 6, 5, 4, 3, 25, 24, 21, 23, 2, 26, 1 | 11, 10, 9, 8, 7, 6, 5, 4, 29, 28, 24, 27, 3, 30, 2 | Addresses (A₀ to A₁₄) - Address inputs. The address inputs select an 8-bit memory location during a read or write operation. |
| I/O ₀ , I/O ₁ , I/O ₂ , I/O ₃ , I/O ₄ , I/O ₅ , I/O ₆ , I/O ₇ | 11, 12, 13, 15 16, 17, 18, 19 | 13, 14, 15, 18 19, 20, 21, 22 | Data In/Data Out (I/O₀ to I/O₇) - Data input/output- Data is written to or read from the X28HC256 through the I/O pins. |
| \overline{WE} | 27 | 31 | Write Enable (\overline{WE}) - The Write enable input controls the writing of data to the X28HC256. |
| \overline{CE} | 20 | 23 | Chip Enable (\overline{CE}) - The Chip enable input must be LOW to enable all read/write operations. When CE is HIGH, power consumption is reduced. |
| \overline{OE} | 22 | 25 | Output Enable (\overline{OE}) - The output enable input controls the data output buffers, and is used to initiate read operations. |
| V _{CC} | 28 | 32 | +5V |
| V _{SS} | 14 | 16 | Ground |
| NC | - | 1, 12, 17, 26 | No Connect |

X28HC256

Absolute Maximum Ratings

Voltage on any Pin with Respect to V_{SS} 1V to +7V
 DC Output Current 10mA

Recommended Operating Conditions

Temperature Range
 Commercial 0°C to +70°C
 Industrial -40°C to +85°C
 Supply Voltage 5V ± 10%

Thermal Information

Temperature Under Bias
 X28HC256 -10°C to +85°C
 X28HC256I -65°C to +150°C
 Storage Temperature -65°C to +150°C
 Pb-free Reflow Profile see [TB493](#)
 *Pb-free PDIPs can be used for through hole wave solder processing only.
 They are not intended for use in Reflow solder processing applications.

CAUTION: Do not operate at or near the maximum ratings listed for extended periods of time. Exposure to such conditions may adversely impact product reliability and result in failures not covered by warranty.

DC Electrical Specifications Across recommended operating conditions, unless otherwise specified.

| PARAMETER | SYMBOL | TEST CONDITIONS | LIMITS | | | UNIT |
|--|-------------------|---|-----------------|-----------------|-----------------|------|
| | | | MIN (Note 7) | TYP (Note 5) | MAX (Note 7) | |
| V_{CC} Active Current (TTL Inputs) | I_{CC} | $\overline{CE} = \overline{OE} = V_{IL}$, $\overline{WE} = V_{IH}$, All I/O's = open, address inputs = 0.4V/2.4V levels at $f = 10$ MHz | | 30 | 60 | mA |
| V_{CC} Standby Current (TTL Inputs) | I_{SB1} | $\overline{CE} = V_{IH}$, $\overline{OE} = V_{IL}$, All I/O's = open, other inputs = V_{IH} | | 1 | 2 | mA |
| V_{CC} Standby Current (CMOS Inputs) | I_{SB2} | $\overline{CE} = V_{CC} - 0.3V$, $\overline{OE} = GND$, All I/Os = open, other inputs = $V_{CC} - 0.3V$ | | 200 | 500 | µA |
| Input Leakage Current | I_{LI} | $V_{IN} = V_{SS}$ to V_{CC} | | | 10 | µA |
| Output Leakage Current | I_{LO} | $V_{OUT} = V_{SS}$ to V_{CC} , $\overline{CE} = V_{IH}$ | | | 10 | µA |
| Input Low Voltage | V_{IL} (Note 6) | | -1 | | 0.8 | V |
| Input High Voltage | V_{IH} (Note 6) | | 2 | | $V_{CC} + 1$ | V |
| Output Low Voltage | V_{OL} | $I_{OL} = 6$ mA | | | 0.4 | V |
| Output High Voltage | V_{OH} | $I_{OH} = -4$ mA | 2.4 | | | V |

NOTES:

- Typical values are for $T_A = +25^\circ\text{C}$ and nominal supply voltage.
- V_{IL} minimum and V_{IH} maximum are for reference only and are not tested.
- Compliance to datasheet limits is assured by one or more methods: production test, characterization and/or design.

Power-up Timing

| PARAMETER | SYMBOL | MAX | UNIT |
|-------------------|----------------------|-----|------|
| Power-up to Read | t_{PUR} , (Note 8) | 100 | µs |
| Power-up to Write | t_{PUW} , (Note 8) | 5 | ms |

NOTE:

- This parameter is periodically sampled and not 100% tested.

Capacitance $T_A = +25^\circ\text{C}$, $f = 1$ MHz, $V_{CC} = 5$ V.

| SYMBOL | TEST | CONDITIONS | MAX | UNIT |
|--------------------|--------------------------|-----------------|-----|------|
| $C_{I/O}$ (Note 8) | Input/output capacitance | $V_{I/O} = 0$ V | 10 | pF |
| C_{IN} (Note 8) | Input capacitance | $V_{IN} = 0$ V | 6 | pF |

Endurance and Data Retention

| PARAMETER | MIN | MAX | UNIT |
|----------------|---------|-----|--------|
| Endurance | 100,000 | | Cycles |
| Data retention | 100 | | Years |

X28HC256






AC Conditions of Test

| | |
|--------------------------------|----------|
| Input pulse levels | 0V to 3V |
| Input rise and fall times | 5ns |
| Input and output timing levels | 1.5V |

Mode Selection

| CE | OE | WE | MODE | I/O | POWER |
|----|----|----|---------------------------|------------------|---------|
| L | L | H | Read | D _{OUT} | active |
| L | H | L | Write | D _{IN} | active |
| H | X | X | Standby and write inhibit | High Z | standby |
| X | L | X | Write inhibit | — | — |
| X | X | H | Write inhibit | — | — |

Symbol Table

| WAVEFORM | INPUTS | OUTPUTS |
|---|-----------------------------|-------------------------------|
|  | Must be steady | Will be steady |
|  | May change from LOW to HIGH | Will change from LOW to HIGH |
|  | May change from HIGH to LOW | Will change from HIGH to LOW |
|  | Don't Care: Changes Allowed | Changing: State Not Known |
|  | N/A | Center Line is High Impedance |

Equivalent AC Load Circuit

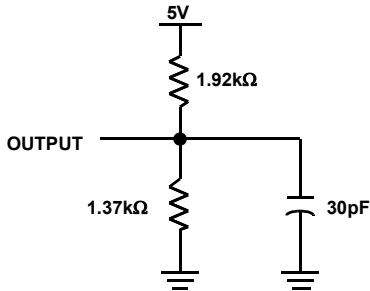


FIGURE 2. EQUIVALENT AC LOAD CIRCUIT

AC Electrical Specifications

Across recommended operating conditions, unless otherwise specified.

| PARAMETER | SYMBOL | X28HC256-70 | | X28HC256-90 | | X28HC256-12 | | X28HC256-15 | | UNIT |
|---------------------------------------|--------------------|-------------|-----|-------------|-----|-------------|-----|-------------|-----|------|
| | | MIN | MAX | MIN | MAX | MIN | MAX | MIN | MAX | |
| Read Cycle Time | t_{RC} | 70 | | 90 | | 120 | | 150 | | ns |
| Chip Enable Access Time | t_{CE} | | 70 | | 90 | | 120 | | 150 | ns |
| Address Access Time | t_{AA} | | 70 | | 90 | | 120 | | 150 | ns |
| Output Enable Access Time | t_{OE} | | 35 | | 40 | | 50 | | 50 | ns |
| \overline{CE} LOW to Active Output | t_{LZ} (Note 9) | 0 | | 0 | | 0 | | 0 | | ns |
| \overline{OE} LOW to Active Output | t_{OLZ} (Note 9) | 0 | | 0 | | 0 | | 0 | | ns |
| \overline{CE} HIGH to High Z Output | t_{HZ} (Note 9) | | 35 | | 40 | | 50 | | 50 | ns |
| \overline{OE} HIGH to High Z Output | t_{OHZ} (Note 9) | | 35 | | 40 | | 50 | | 50 | ns |
| Output Hold from Address Change | t_{OH} | 0 | | 0 | | 0 | | 0 | | ns |

NOTE:

9. t_{LZ} minimum, t_{HZ} , t_{OLZ} minimum and t_{OHZ} are periodically sampled and not 100% tested, t_{HZ} and t_{OHZ} are measured with $C_L = 5pF$, from the point when \overline{CE} , \overline{OE} return HIGH (whichever occurs first) to the time when the outputs are no longer driven..

Read Cycle

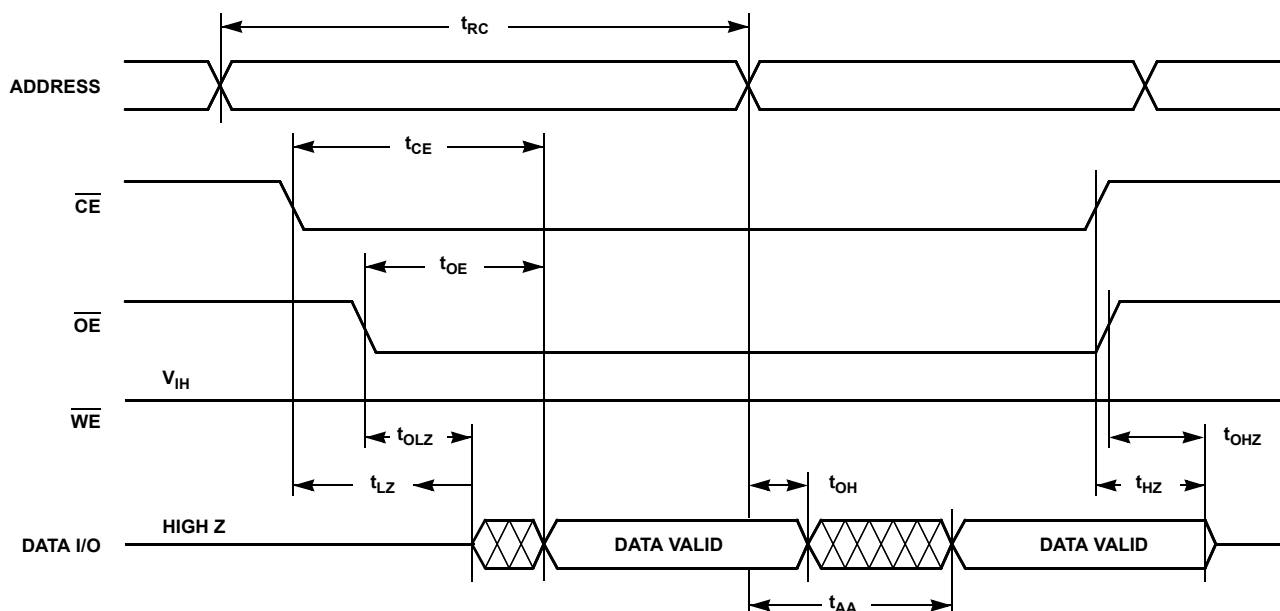


FIGURE 3. READ CYCLE

Write Cycle Limits

| PARAMETER | SYMBOL | MIN | TYP (Note 10) | MAX | UNIT |
|---|------------------------|------|------------------|-----|---------|
| Write Cycle Time | t_{WC} (Note 11) | | 3 | 5 | ms |
| Address Setup Time | t_{AS} | 0 | | | ns |
| Address Hold Time | t_{AH} | 50 | | | ns |
| Write Setup Time | t_{CS} | 0 | | | ns |
| Write Hold Time | t_{CH} | 0 | | | ns |
| \overline{CE} Pulse Width | t_{CW} | 50 | | | ns |
| \overline{OE} HIGH Setup Time | t_{OES} | 0 | | | ns |
| \overline{OE} HIGH Hold Time | t_{OEH} | 0 | | | ns |
| \overline{WE} Pulse Width | t_{WP} | 50 | | | ns |
| \overline{WE} HIGH Recovery (page write only) | t_{WPH} (Note 12) | 50 | | | ns |
| Data Valid | t_{DV} | | | 1 | μ s |
| Data Setup | t_{DS} | 50 | | | ns |
| Data Hold | t_{DH} | 0 | | | ns |
| Delay to Next Write After Polling is True | t_{DW} (Note 12) | 10 | | | μ s |
| Byte Load Cycle | t_{BLC} | 0.15 | | 100 | μ s |

NOTES:

10. Typical values are for $T_A = +25^\circ\text{C}$ and nominal supply voltage.
11. t_{WC} is the minimum cycle time to be allowed from the system perspective unless polling techniques are used. It is the maximum time the device requires to automatically complete the internal write operation.
12. t_{WPH} and t_{DW} are periodically sampled and not 100% tested.

$\overline{\text{WE}}$ Controlled Write Cycle



FIGURE 4. $\overline{\text{WE}}$ CONTROLLED WRITE CYCLE

$\overline{\text{CE}}$ Controlled Write Cycle

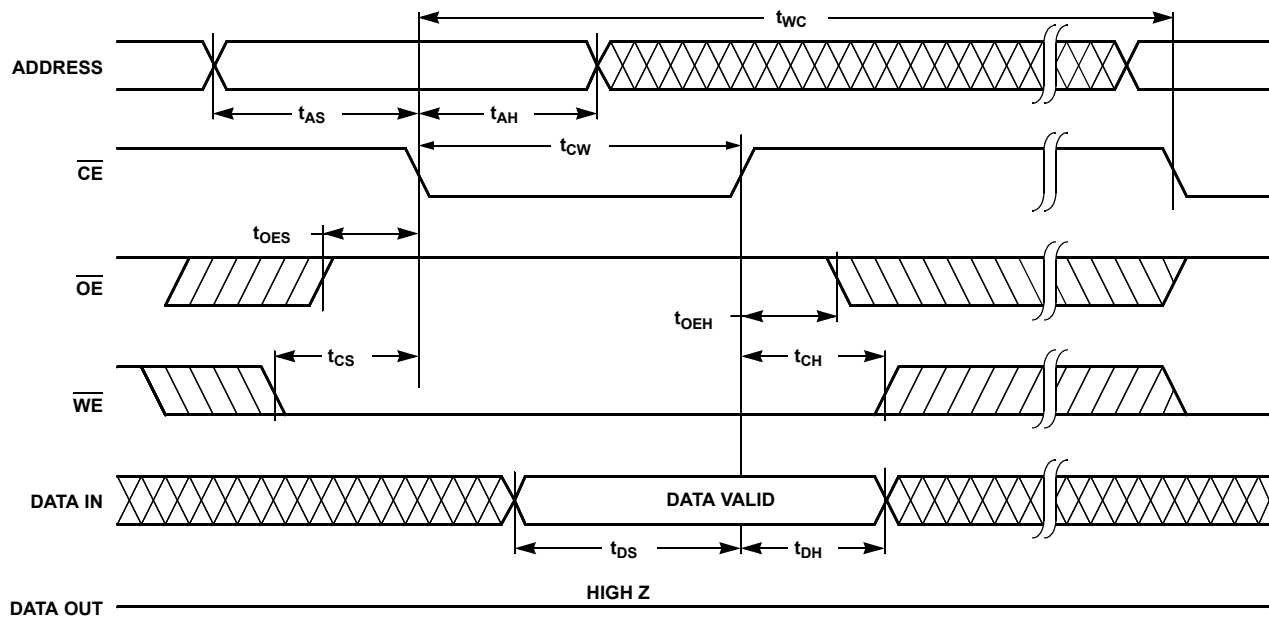


FIGURE 5. $\overline{\text{CE}}$ CONTROLLED WRITE CYCLE

Page Write Cycle

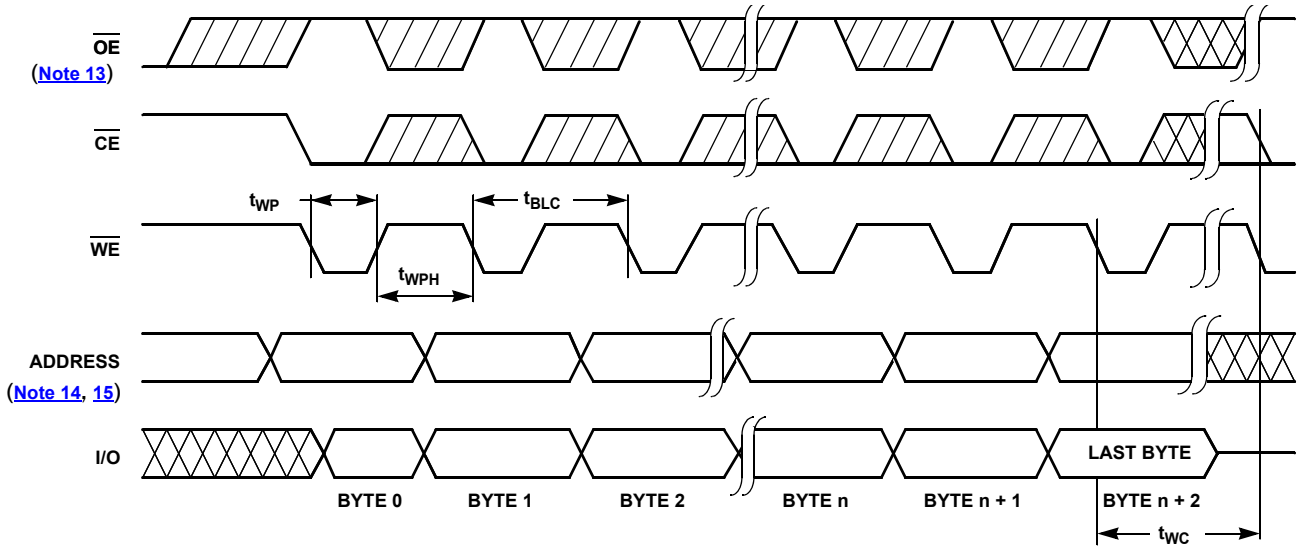


FIGURE 6. PAGE WRITE CYCLE

NOTES:

13. Between successive byte writes within a page write operation, \overline{OE} can be strobed LOW: e.g. this can be done with \overline{CE} and \overline{WE} HIGH to fetch data from another memory device within the system for the next write; or with \overline{WE} HIGH and \overline{CE} LOW effectively performing a polling operation.
14. The timings shown above are unique to page write operations. Individual byte load operations within the page write must conform to either the \overline{CE} or \overline{WE} controlled write cycle timing.
15. For each successive write within the page write operation, A7 to A15 should be the same or writes to an unknown address could occur.

X28HC256

DATA Polling Timing Diagram (Note 16)

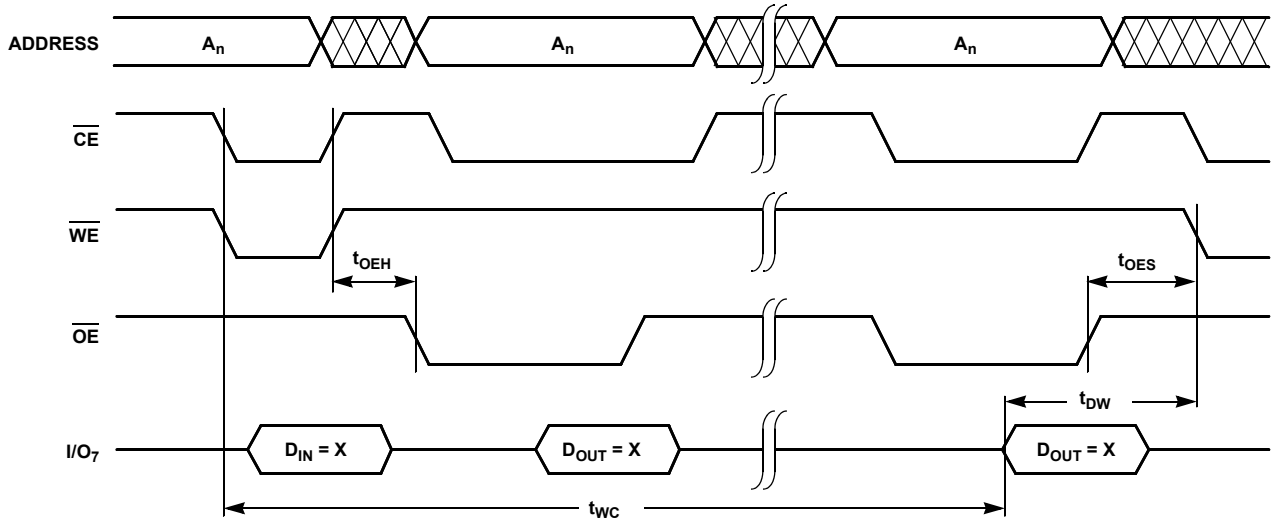


FIGURE 6. DATA POLLING TIMING DIAGRAM

Toggle Bit Timing Diagram (Note 16)

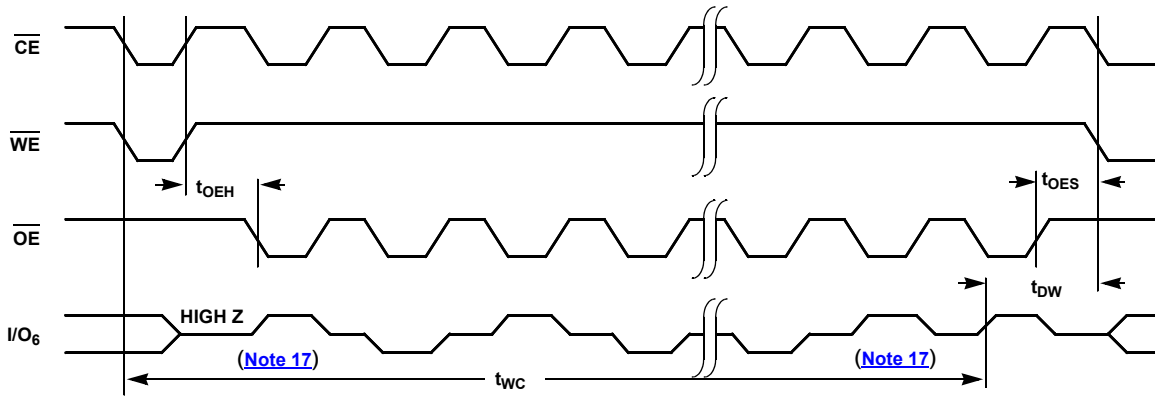


FIGURE 7. TOGGLE BIT TIMING DIAGRAM

NOTES:

- 16. Polling operations are by definition read cycles and are therefore subject to read cycle timings.
- 17. I/O₆ beginning and ending state will vary, depending upon actual t_{WC}.

Device Operation

Read

Read operations are initiated by both \overline{OE} and \overline{CE} LOW. The read operation is terminated by either \overline{CE} or \overline{OE} returning HIGH. This two line control architecture eliminates bus contention in a system environment. The data bus will be in a high impedance state when either \overline{OE} or \overline{CE} is HIGH.

Write

Write operations are initiated when both \overline{CE} and \overline{WE} are LOW and \overline{OE} is HIGH. The X28HC256 supports both a \overline{CE} and \overline{WE} controlled write cycle. That is, the address is latched by the falling edge of either \overline{CE} or \overline{WE} , whichever occurs last. Similarly, the data is latched internally by the rising edge of either \overline{CE} or \overline{WE} , whichever occurs first. A byte write operation, once initiated, will automatically continue to completion, typically within 3ms.

Page Write Operation

The page write feature of the X28HC256 allows the entire memory to be written in typically 0.8 seconds. The page write allows up to 128 bytes of data to be consecutively written to the X28HC256, prior to the commencement of the internal programming cycle. The host can fetch data from another device within the system during a page write operation (change the source address), but the page address (A_7 through A_{14}) for each subsequent valid write cycle to the part during this operation must be the same as the initial page address.

The page write mode can be initiated during any write operation. Following the initial byte write cycle, the host can write an additional one to 127 bytes in the same manner as the first byte was written. Each successive byte load cycle, started by the \overline{WE} high-to-low transition, must begin within 100 μ s of the falling edge of the preceding \overline{WE} . If a subsequent \overline{WE} high-to-low transition is not detected within 100 μ s, the internal automatic programming cycle will commence. There is no page write window limitation. Effectively the page write window is infinitely wide, so long as the host continues to access the device within the byte load cycle time of 100 μ s.

Write Operation Status Bits

The X28HC256 provides the user two write operation status bits. These can be used to optimize a system write cycle time. The status bits are mapped onto the I/O bus as shown in [Figure 7](#).

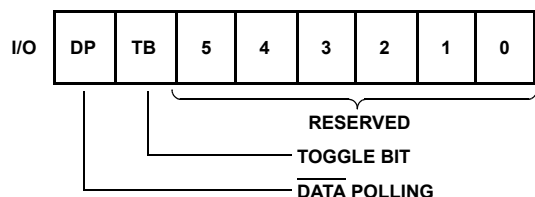


FIGURE 7. STATUS BIT ASSIGNMENT

DATA Polling (I/O₇)

The X28HC256 features \overline{DATA} polling as a method to indicate to the host system that the byte write or page write cycle has completed. \overline{DATA} polling allows a simple bit test operation to determine the status of the X28HC256. This eliminates additional interrupt inputs or external hardware. During the internal programming cycle, any attempt to read the last byte written will produce the complement of that data on I/O₇ (i.e., write data = 0xxx xxxx, read data = 1xxx xxxx). Once the programming cycle is complete, I/O₇ will reflect true data.

Toggle Bit (I/O₆)

The X28HC256 also provides another method for determining when the internal write cycle is complete. During the internal programming cycle I/O₆ will toggle from high-to-low and high-to-low on subsequent attempts to read the device. When the internal cycle is complete the toggling will cease and the device will be accessible for additional read and write operations.

DATA Polling I/O

\overline{DATA} polling can effectively halve the time for writing to the X28HC256. The timing diagram in [Figure 8 on page 11](#) illustrates the sequence of events on the bus. The software flow diagram in [Figure 9 on page 11](#) illustrates one method of implementing the routine.

The Toggle Bit I/O

The toggle bit can eliminate the chore of saving and fetching the last address and data in order to implement \overline{DATA} polling. This can be especially helpful in an array comprised of multiple X28HC256 memories that is frequently updated. The timing diagram in [Figure 10 on page 12](#) illustrates the sequence of events on the bus. The software flow diagram in [Figure 11 on page 12](#) illustrates a method for polling the toggle bit.

Hardware Data Protection

The X28HC256 provides two hardware features that protects nonvolatile data from inadvertent writes.

- Default V_{CC} Sense — All write functions are inhibited when V_{CC} is 3.5V typically.
- Write Inhibit — Holding either \overline{OE} low, \overline{WE} high, or \overline{CE} high will prevent an inadvertent write cycle during power-up and power-down, maintaining data integrity.

X28HC256

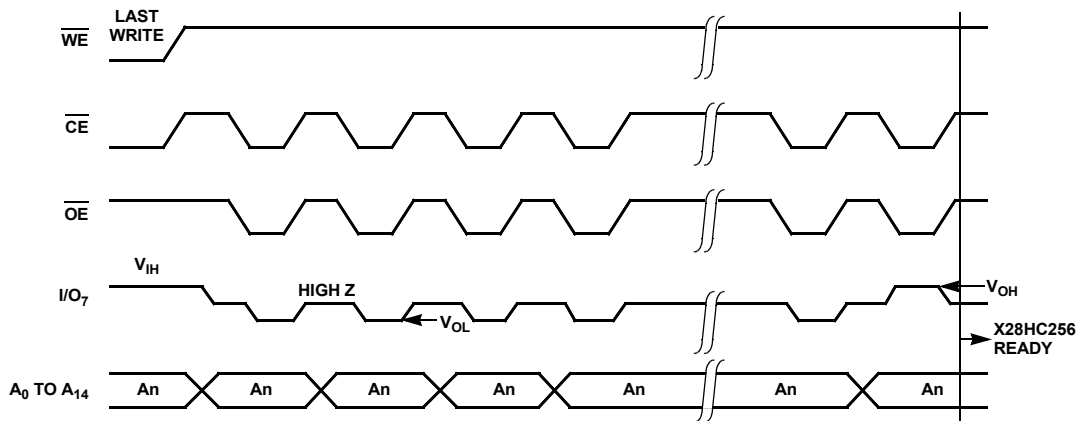


FIGURE 8. $\overline{\text{DATA}}$ POLLING BUS SEQUENCE

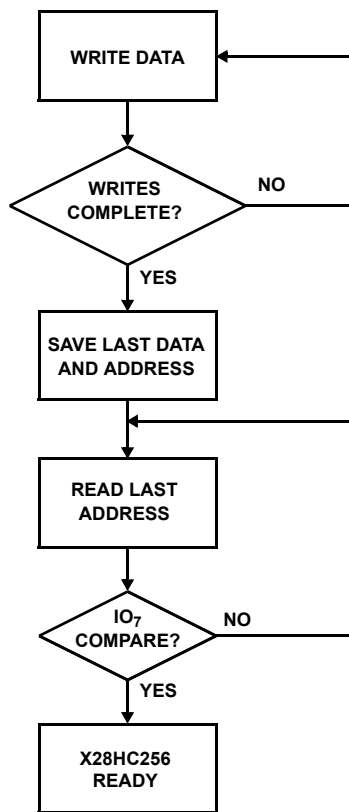
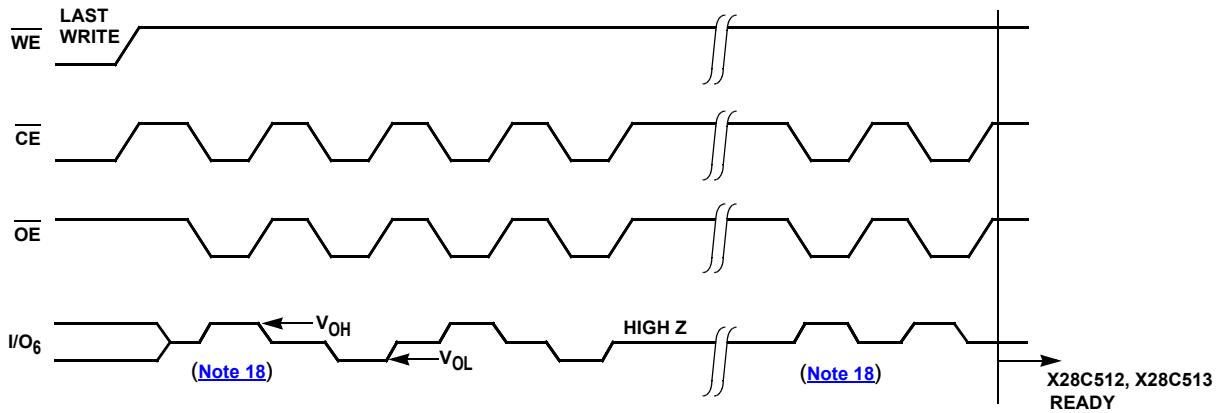


FIGURE 9. $\overline{\text{DATA}}$ POLLING SOFTWARE FLOW



NOTE:
18. I/O6 Beginning and ending state of I/O6 will vary.

FIGURE 10. TOGGLE BIT BUS SEQUENCE

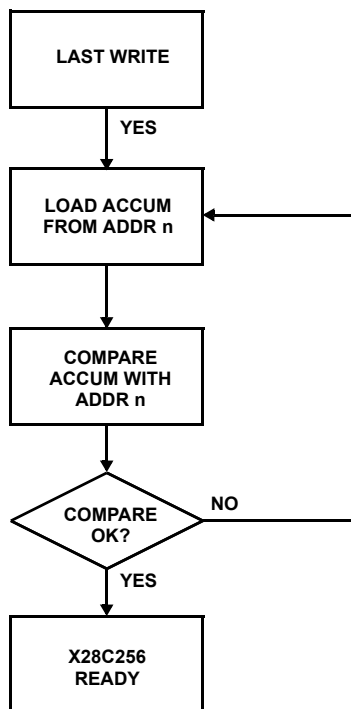


FIGURE 11. TOGGLE BIT SOFTWARE FLOW

Software Data Protection

The X28HC256 offers a software controlled data protection feature. The X28HC256 is shipped from Intersil with the software data protection NOT ENABLED; that is, the device will be in the standard operating mode. In this mode data should be protected during power-up/down operations through the use of external circuits. The host would then have open read and write access of the device once V_{CC} was stable.

The X28HC256 can be automatically protected during power-up and power-down (without the need for external circuits) by employing the software data protection feature. The internal software data protection circuit is enabled after the first write operation, utilizing the software algorithm. This circuit is nonvolatile, and will remain set for the life of the device unless the reset command is issued.

Once the software protection is enabled, the X28HC256 is also protected from inadvertent and accidental writes in the powered up state. That is, the software algorithm must be issued prior to writing additional data to the device.

Software Algorithm

Selecting the software data protection mode requires the host system to precede data write operations by a series of three write operations to three specific addresses. Refer to [Figures 12](#) and [13](#) on [page 13](#) for the sequence. The 3 byte sequence opens the page write window, enabling the host to write from one to 128 bytes of data. Once the page load cycle has been completed, the device will automatically be returned to the data protected state.

Software Data Protection

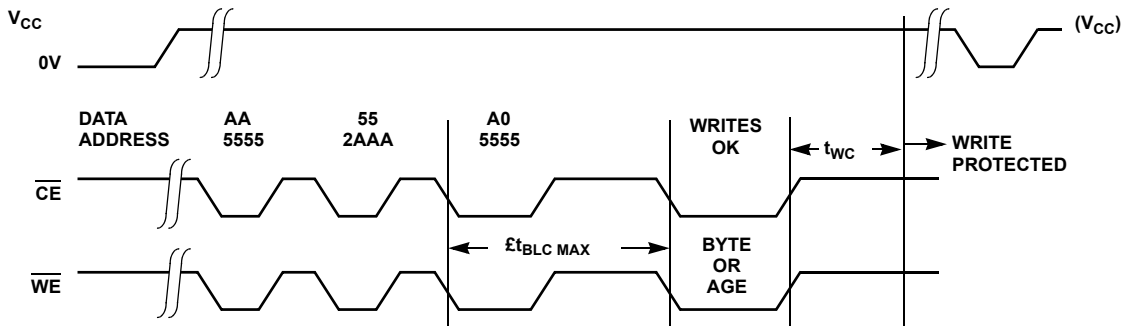


FIGURE 12. TIMING SEQUENCE BYTE OR PAGE WRITE

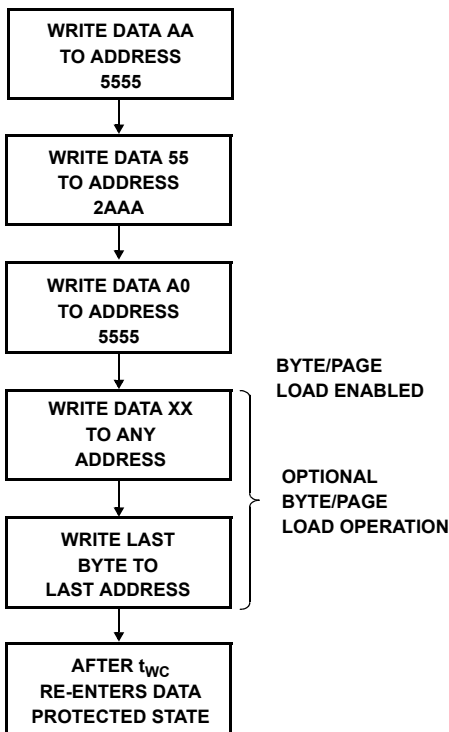


FIGURE 13. WRITE SEQUENCE FOR SOFTWARE DATA PROTECTION

Regardless of whether the device has previously been protected or not, once the software data protection algorithm is used and data has been written, the X28HC256 will automatically disable further writes unless another command is issued to cancel it. If no further commands are issued the X28HC256 will be write protected during power-down and after any subsequent power-up.

Note: Once initiated, the sequence of write operations should not be interrupted.

Resetting Software Data Protection

In the event the user wants to deactivate the software data protection feature for testing or reprogramming in an EEPROM programmer, the following six step algorithm will reset the internal protection circuit. After t_{WC} , the X28HC256 will be in standard operating mode.

Note: Once initiated, the sequence of write operations should not be interrupted.

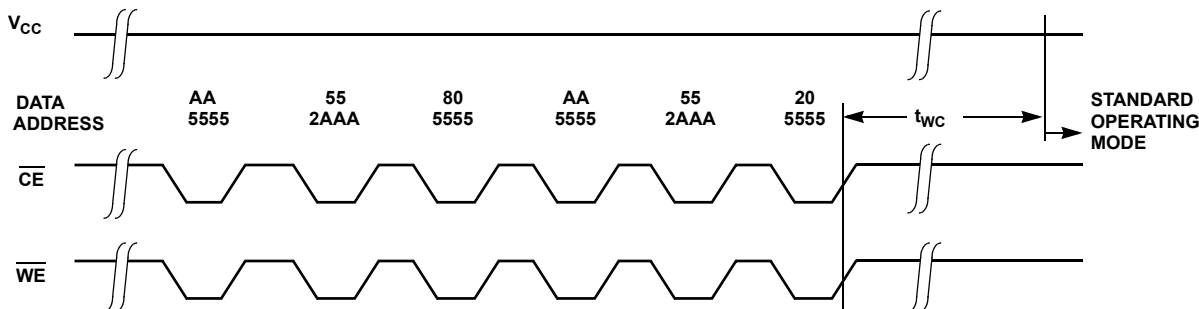


FIGURE 14. RESET SOFTWARE DATA PROTECTION TIMING SEQUENCE

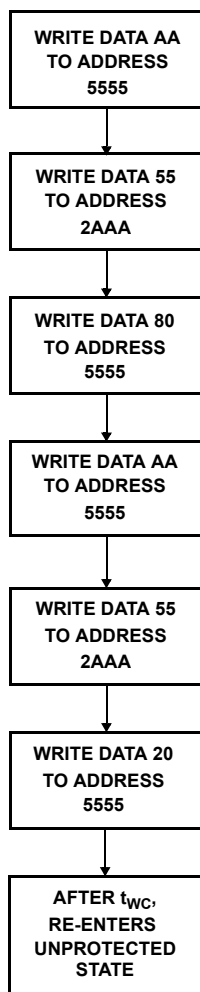


FIGURE 15. WRITE SEQUENCE FOR RESETTNG SOFTWARE DATA PROTECTION

System Considerations

Because the X28HC256 is frequently used in large memory arrays, it is provided with a two line control architecture for both read and write operations. Proper usage can provide the lowest possible power dissipation and eliminate the possibility of contention where multiple I/O pins share the same bus.

To gain the most benefit, it is recommended that \overline{CE} be decoded from the address bus and be used as the primary device selection input. Both OE and WE would then be common among all devices in the array. For a read operation, this assures that all deselected devices are in their standby mode and that only the selected device(s) is/are outputting data on the bus.

Because the X28HC256 has two power modes, standby and active, proper decoupling of the memory array is of prime concern. Enabling \overline{CE} will cause transient current spikes. The magnitude of these spikes is dependent on the output capacitive loading of the I/Os. Therefore, the larger the array sharing a common bus, the larger the transient spikes. The voltage peaks associated with the current transients can be suppressed by the proper selection and placement of decoupling capacitors. As a minimum, it is recommended that a 0.1 μ F high frequency ceramic capacitor be used between V_{CC} and V_{SS} at each device. Depending on the size of the array, the value of the capacitor may have to be larger.

In addition, it is recommended that a 4.7 μ F electrolytic bulk capacitor be placed between V_{CC} and V_{SS} for each eight devices employed in the array. This bulk capacitor is employed to overcome the voltage droop caused by the inductive effects of the PC board traces.

X28HC256

Revision History

The revision history provided is for informational purposes only and is believed to be accurate, but not warranted. Please go to the web to make sure that you have the latest revision.

| DATE | REVISION | CHANGE |
|-----------------|----------|--|
| August 27, 2015 | FN8108.5 | Removed the reference to Military part under "Recommended Operating Conditions" and "Thermal Information" Removed X28HC256J-15, X28HC256SI-15, X28HC256SIZ-15, X28HC256J-12, X28HC256S-12, and X28HC256S-90 from the Ordering Information table on page 2. Updated Pin Description table on page 3. |
| March 31, 2015 | FN8108.4 | -Updated entire datasheet to Intersil new standard. -Added revision history and about Intersil verbiage. -Third paragraph on page 1 updated From: Endurance for the X28HC256 is specified as a minimum 1,000,000 write cycles per byte and an inherent data retention of 100 years. To: Endurance for the X28HC256 is specified as a minimum 100,000 write cycles per byte and an inherent data retention of 100 years. -Features section on page 1 updated From: Highly reliable Direct Write™ cell - Endurance: 1,000,000 cycles To: Highly reliable Direct Write™ cell - Endurance: 100,000 cycles "Endurance and Data Retention" on page 4 updated Endurance from 1,000,000 to 100,000. -Ordering information table on page 2: Removed obsolete part numbers X28HC256P-15, X28HC256PI-15, X28HC256P-12, X28HC256PI-12, X28HC256P-90. -Ordering information table on page 2 updated the "Access time" section. Thermal Information table on page 4 updated "Temperature Under Bias" section for X28HC256 value from 10 °C to +85 °C to -10 °C to +85 °C. "DC Electrical Specifications" on page 4, added a note to Min and Max values. Removed note in Electrical Spec Table that referenced an obsolete part. |

About Intersil

Intersil Corporation is a leading provider of innovative power management and precision analog solutions. The company's products address some of the largest markets within the industrial and infrastructure, mobile computing and high-end consumer markets.

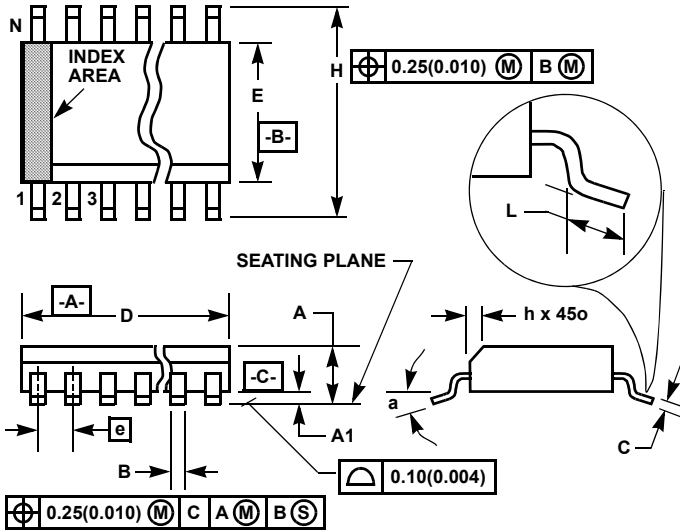
For the most updated datasheet, application notes, related documentation and related parts, please see the respective product information page found at www.intersil.com.

You may report errors or suggestions for improving this datasheet by visiting www.intersil.com/ask.

Reliability reports are also available from our website at www.intersil.com/support

X28HC256

Small Outline Plastic Packages (SOIC)



M28.3 (JEDEC MS-013-AE ISSUE C) 28 LEAD WIDE BODY SMALL OUTLINE PLASTIC PACKAGE

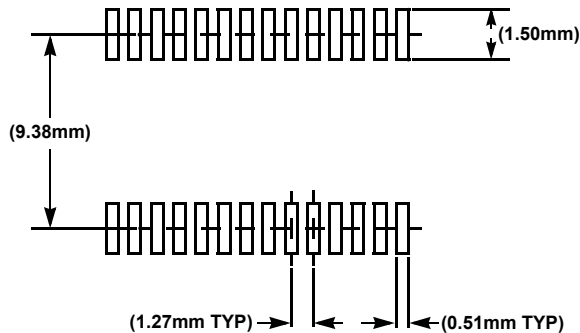
| SYMBOL | INCHES | | MILLIMETERS | | NOTES |
|----------|----------|--------|-------------|-------|-------|
| | MIN | MAX | MIN | MAX | |
| A | 0.0926 | 0.1043 | 2.35 | 2.65 | - |
| A1 | 0.0040 | 0.0118 | 0.10 | 0.30 | - |
| B | 0.013 | 0.0200 | 0.33 | 0.51 | 9 |
| C | 0.0091 | 0.0125 | 0.23 | 0.32 | - |
| D | 0.6969 | 0.7125 | 17.70 | 18.10 | 3 |
| E | 0.2914 | 0.2992 | 7.40 | 7.60 | 4 |
| e | 0.05 BSC | | 1.27 BSC | | - |
| H | 0.394 | 0.419 | 10.00 | 10.65 | - |
| h | 0.01 | 0.029 | 0.25 | 0.75 | 5 |
| L | 0.016 | 0.050 | 0.40 | 1.27 | 6 |
| N | 28 | | 28 | | 7 |
| α | 0° | 8° | 0° | 8° | - |

Rev. 1, 1/13

NOTES:

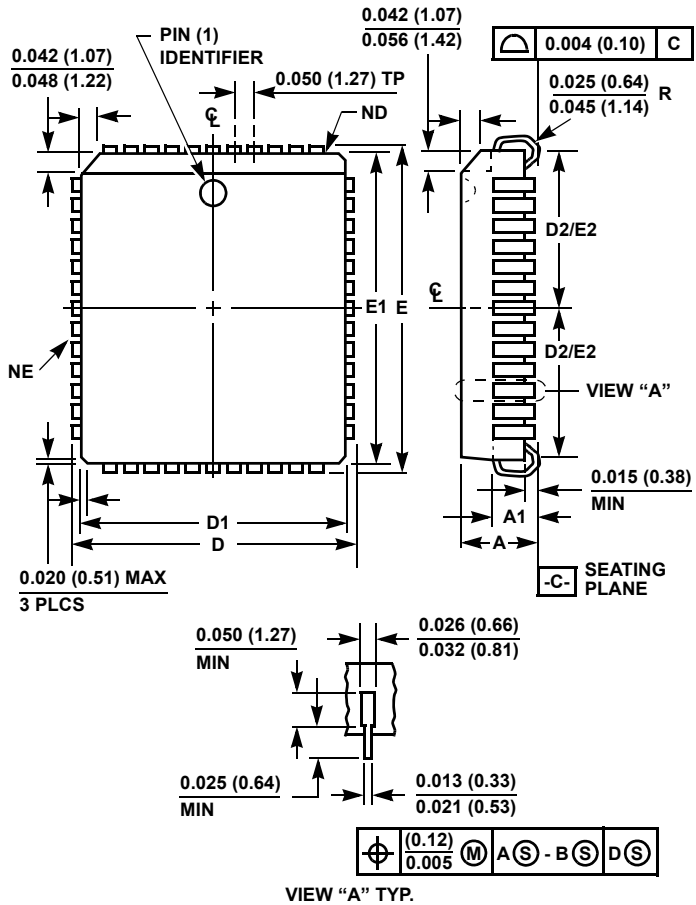
- Symbols are defined in the "MO Series Symbol List" in Section 2.2 of Publication Number 95.
- Dimensioning and tolerancing per ANSI Y14.5M-1982.
- Dimension "D" does not include mold flash, protrusions or gate burrs. Mold flash, protrusion and gate burrs shall not exceed 0.15mm (0.006 inch) per side.
- Dimension "E" does not include interlead flash or protrusions. Interlead flash and protrusions shall not exceed 0.25mm (0.010 inch) per side.
- The chamfer on the body is optional. If it is not present, a visual index feature must be located within the crosshatched area.
- "L" is the length of terminal for soldering to a substrate.
- "N" is the number of terminal positions.
- Terminal numbers are shown for reference only.
- The lead width "B", as measured 0.36mm (0.014 inch) or greater above the seating plane, shall not exceed a maximum value of 0.61mm (0.024 inch)
- Controlling dimension: MILLIMETER. Converted inch dimensions are not necessarily exact.

TYPICAL RECOMMENDED LAND PATTERN



X28HC256

Plastic Leaded Chip Carrier Packages (PLCC)



N32.45x55 (JEDEC MS-016AE ISSUE A) 32 LEAD PLASTIC LEADED CHIP CARRIER PACKAGE

| SYMBOL | INCHES | | MILLIMETERS | | NOTES |
|--------|--------|-------|-------------|-------|-------|
| | MIN | MAX | MIN | MAX | |
| A | 0.125 | 0.140 | 3.18 | 3.55 | - |
| A1 | 0.060 | 0.095 | 1.53 | 2.41 | - |
| D | 0.485 | 0.495 | 12.32 | 12.57 | - |
| D1 | 0.447 | 0.453 | 11.36 | 11.50 | 3 |
| D2 | 0.188 | 0.223 | 4.78 | 5.66 | 4, 5 |
| E | 0.585 | 0.595 | 14.86 | 15.11 | - |
| E1 | 0.547 | 0.553 | 13.90 | 14.04 | 3 |
| E2 | 0.238 | 0.273 | 6.05 | 6.93 | 4, 5 |
| N | 28 | | 28 | | 6 |
| ND | 7 | | 7 | | 7 |
| NE | 9 | | 9 | | 7 |

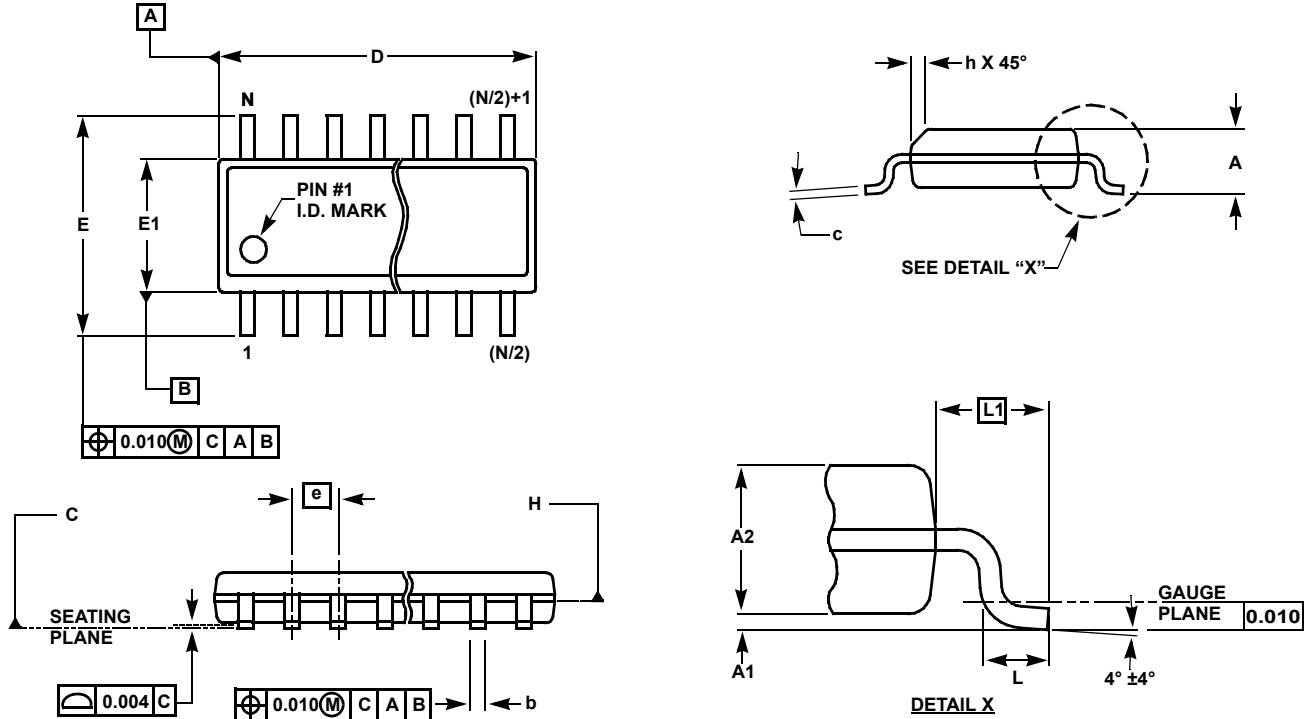
Rev. 0 7/98

NOTES:

- Controlling dimension: INCH. Converted millimeter dimensions are not necessarily exact.
- Dimensions and tolerancing per ANSI Y14.5M-1982.
- Dimensions D1 and E1 do not include mold protrusions. Allowable mold protrusion is 0.010 inch (0.25mm) per side. Dimensions D1 and E1 include mold mismatch and are measured at the extreme material condition at the body parting line.
- To be measured at seating plane -C- contact point.
- Centerline to be determined where center leads exit plastic body.
- "N" is the number of terminal positions.
- ND denotes the number of leads on the two shorts sides of the package, one of which contains pin #1. NE denotes the number of leads on the two long sides of the package.

X28HC256

Small Outline Package Family (SO)



MDP0027

SMALL OUTLINE PACKAGE FAMILY (SO)

| SYMBOL | INCHES | | | | | | | TOLERANCE | NOTES |
|--------|--------|-------|------------------|---------------------------|------------------|------------------|------------------|-------------|-------|
| | SO-8 | SO-14 | SO16 (0.150") | SO16 (0.300") (SOL-16) | SO20 (SOL-20) | SO24 (SOL-24) | SO28 (SOL-28) | | |
| A | 0.068 | 0.068 | 0.068 | 0.104 | 0.104 | 0.104 | 0.104 | MAX | - |
| A1 | 0.006 | 0.006 | 0.006 | 0.007 | 0.007 | 0.007 | 0.007 | ± 0.003 | - |
| A2 | 0.057 | 0.057 | 0.057 | 0.092 | 0.092 | 0.092 | 0.092 | ± 0.002 | - |
| b | 0.017 | 0.017 | 0.017 | 0.017 | 0.017 | 0.017 | 0.017 | ± 0.003 | - |
| c | 0.009 | 0.009 | 0.009 | 0.011 | 0.011 | 0.011 | 0.011 | ± 0.001 | - |
| D | 0.193 | 0.341 | 0.390 | 0.406 | 0.504 | 0.606 | 0.704 | ± 0.004 | 1, 3 |
| E | 0.236 | 0.236 | 0.236 | 0.406 | 0.406 | 0.406 | 0.406 | ± 0.008 | - |
| E1 | 0.154 | 0.154 | 0.154 | 0.295 | 0.295 | 0.295 | 0.295 | ± 0.004 | 2, 3 |
| e | 0.050 | 0.050 | 0.050 | 0.050 | 0.050 | 0.050 | 0.050 | Basic | - |
| L | 0.025 | 0.025 | 0.025 | 0.030 | 0.030 | 0.030 | 0.030 | ± 0.009 | - |
| L1 | 0.041 | 0.041 | 0.041 | 0.056 | 0.056 | 0.056 | 0.056 | Basic | - |
| h | 0.013 | 0.013 | 0.013 | 0.020 | 0.020 | 0.020 | 0.020 | Reference | - |
| N | 8 | 14 | 16 | 16 | 20 | 24 | 28 | Reference | - |

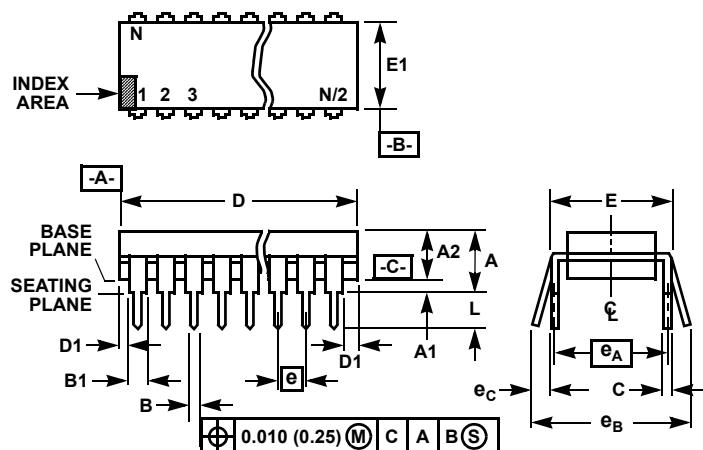
Rev. M 2/07

NOTES:

1. Plastic or metal protrusions of 0.006" maximum per side are not included.
2. Plastic interlead protrusions of 0.010" maximum per side are not included.
3. Dimensions "D" and "E1" are measured at Datum Plane "H".
4. Dimensioning and tolerancing per ASME Y14.5M-1994

X28HC256

Dual-In-Line Plastic Packages (PDIP)



NOTES:

- Controlling Dimensions: INCH. In case of conflict between English and Metric dimensions, the inch dimensions control.
- Dimensioning and tolerancing per ANSI Y14.5M-1982.
- Symbols are defined in the "MO Series Symbol List" in Section 2.2 of Publication No. 95.
- Dimensions A, A1 and L are measured with the package seated in JEDEC seating plane gauge GS-3.
- D, D1, and E1 dimensions do not include mold flash or protrusions. Mold flash or protrusions shall not exceed 0.010 inch (0.25mm).
- E and e_A are measured with the leads constrained to be perpendicular to datum $-C-$.
- e_B and e_C are measured at the lead tips with the leads unconstrained. e_C must be zero or greater.
- B1 maximum dimensions do not include dambar protrusions. Dambar protrusions shall not exceed 0.010 inch (0.25mm).
- N is the maximum number of terminal positions.
- Corner leads (1, N, N/2 and N/2 + 1) for E8.3, E16.3, E18.3, E28.3, E42.6 will have a B1 dimension of 0.030 - 0.045 inch (0.76 - 1.14mm).

E28.6 (JEDEC MS-011-AB ISSUE B) 28 LEAD DUAL-IN-LINE PLASTIC PACKAGE

| SYMBOL | INCHES | | MILLIMETERS | | NOTES |
|--------|-----------|-------|-------------|-------|-------|
| | MIN | MAX | MIN | MAX | |
| A | - | 0.250 | - | 6.35 | 4 |
| A1 | 0.015 | - | 0.39 | - | 4 |
| A2 | 0.125 | 0.195 | 3.18 | 4.95 | - |
| B | 0.014 | 0.022 | 0.356 | 0.558 | - |
| B1 | 0.030 | 0.070 | 0.77 | 1.77 | 8 |
| C | 0.008 | 0.015 | 0.204 | 0.381 | - |
| D | 1.380 | 1.565 | 35.1 | 39.7 | 5 |
| D1 | 0.005 | - | 0.13 | - | 5 |
| E | 0.600 | 0.625 | 15.24 | 15.87 | 6 |
| E1 | 0.485 | 0.580 | 12.32 | 14.73 | 5 |
| e | 0.100 BSC | | 2.54 BSC | | - |
| e_A | 0.600 BSC | | 15.24 BSC | | 6 |
| e_B | - | 0.700 | - | 17.78 | 7 |
| L | 0.115 | 0.200 | 2.93 | 5.08 | 4 |
| N | 28 | | 28 | | 9 |

Rev. 1 12/00

For additional products, see www.intersil.com/en/products.html

Intersil products are manufactured, assembled and tested utilizing ISO9001 quality systems as noted in the quality certifications found at www.intersil.com/en/support/qualandreliability.html

Intersil products are sold by description only. Intersil Corporation reserves the right to make changes in circuit design, software and/or specifications at any time without notice. Accordingly, the reader is cautioned to verify that data sheets are current before placing orders. Information furnished by Intersil is believed to be accurate and reliable. However, no responsibility is assumed by Intersil or its subsidiaries for its use; nor for any infringements of patents or other rights of third parties which may result from its use. No license is granted by implication or otherwise under any patent or patent rights of Intersil or its subsidiaries.

For information regarding Intersil Corporation and its products, see www.intersil.com

X-ON Electronics

Largest Supplier of Electrical and Electronic Components

Click to view similar products for [EEPROM](#) category:

Click to view products by [Renesas](#) manufacturer:

Other Similar products are found below :

[M29F040-70K6](#) [718278CB](#) [718620G](#) [AT28C256-15PU-ND](#) [444358RB](#) [444362FB](#) [BR93C46-WMN7TP](#) [442652G](#) [701986CB](#)
[TC58NVG0S3HBAI4](#) [5962-8751413XA](#) [TC58BVG0S3HBAI4](#) [TH58NYG3S0HBAI6](#) [CAT25320YIGT-KK](#) [CAT25320DWF](#) [LE24C162-R-](#)
[E](#) [5962-8751417YA](#) [5962-8751409YA](#) [CAT25M01LI-G](#) [DS28E11P+](#) [BR9016AF-WE2](#) [LE2464DXATBG](#) [CAS93C66VP2I-GT3](#)
[DS28E25+T](#) [DS28EL15Q+T](#) [M95320-DFDW6TP](#) [DS28E05GB+T](#) [AT25320B-SSPDGV-T](#) [HE24C64WLCSPD](#) [BL24SA128B-CSRC](#)
[24FC16T-I/OT](#) [24FC08T-I/OT](#) [M24128-BFMN6TP](#) [S-24CS04AFM-TFH-U](#) [M24C04-FMC5TG](#) [M24C16-DRMN3TPK](#) [M24C64-DFMN6TP](#)
[34AA02-EMS](#) [M95080-RMC6TG](#) [M95128-DFCS6TP/K](#) [M95128-DFDW6TP](#) [M95256-DFMN6TP](#) [M95320-RDW6TP](#) [M95640-RDW6TP](#)
[AT17LV010-10CU](#) [AT24C01C-SSHM-B](#) [AT24C01D-MAHM-T](#) [AT24C04D-MAHM-T](#) [AT24C04D-SSHM-T](#) [AT24C08C-SSHM-B](#)