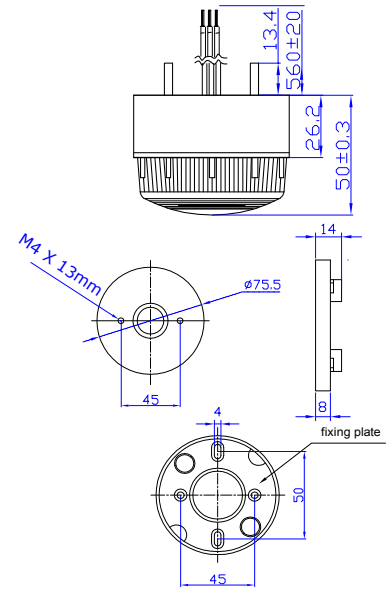


Visual Signals XENON

BEACONS



Industrial Xenon Beacons > X80 Series

Product overview

The X80 Series utilises a discharge capacitor and converter circuit to ignite xenon gas inside a tube, resulting in a brilliant flash of light. Xenon gas ignites virtually instantaneously so maximum brightness is obtained immediately

Xenons have an added advantage of low current consumption and are one of the most efficient, effective and brightest visual signals available. The beacon is either stud mounted or surface fixed using the adaptors supplied. The units are either mounted by using the two studs or by using the surface mount adaptor (Supplied as standard) for a surface mount snap fit.

FEATURES

Continuously rated

Suitable for surface or wall mounting

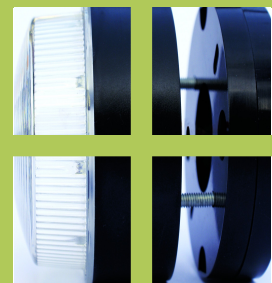
Suitable for use with conduit BESA box - adaptor supplied

IP67

MATERIAL

UV Stable Polycarbonate Lens
ABS Plastic Base

Code No:	Voltage:	Light Source:	Current:
X80-01	24v Dc ---	Xenon 0.30J	40 mA
X80-02	10-100v Dc ~ 20-72v Ac ~	Xenon 1.0J	110mA # at 24vDc
X80-04	85-265 Ac ~	Xenon 2.0J	50 mA # at 230v Ac



Kg 0.13

50/60 Hz

°C -20+66

IP 67

FPM 60/65

FIRE

APPROVAL AND CONFORMITIES



ADD THE FOLLOWING LENS CODES TO THE PRODUCT CODE WHEN ORDERING

01 02 03 04 05

INDUSTRIAL

X-ON Electronics

Largest Supplier of Electrical and Electronic Components

Click to view similar products for [LED Panel Mount Indicators](#) category:

Click to view products by [Moflash Signalling](#) manufacturer:

Other Similar products are found below :

[607-1312-310F](#) [607-3232-140F](#) [6091M1-24V](#) [6091M5-24V](#) [6091M7-24V](#) [821-0331-503](#) [FL2870C8R](#) [FL2950WL7B](#) [FL589WL8R](#)
[Q6P3BXXB12E](#) [H8630FBBA3](#) [MPC5ADW6.0](#) [DX1091GN](#) [NL177WL3G](#) [NL276C3G](#) [NL2950BWL3G](#) [NL2950CWL2R](#) [NL589WL2R](#)
[NL67C3G](#) [NL67C3R](#) [2191L1-12V](#) [PB22SIOL0RG](#) [PB22SPPM41R](#) [PB22SPPM61R](#) [LE177C5B](#) [LH1048BSWL3702](#) [LH1048BWL3702](#)
[LH382A](#) [LHM62B](#) [SSI-LXH387USBD-150](#) [SSI-LXH9ZIC40587](#) [SSP-LXS110818BA](#) [FL2950BWL7R](#) [FL2950WL7R](#) [FL2951WL8G](#)
[FL2951WL8R](#) [FL589C7R](#) [FL67C7R](#) [FL67WL8G](#) [2191QU7-24V](#) [2191U1-12V](#) [2191U5-12V](#) [2191U5-6V](#) [2191U7-12V](#) [249-4167-3734-](#)
[504F](#) [Q6P5BXXG02E](#) [3990A7](#) [5110F3-12V](#) [MPC5BCW18.0](#) [556-1237-801F](#)