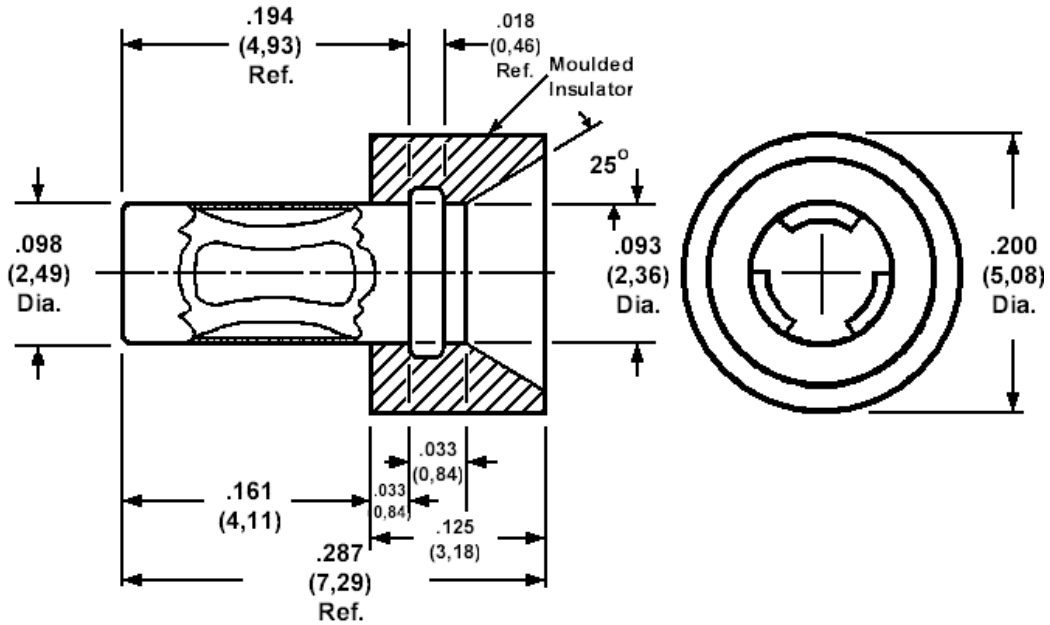


## 450-1826 Solder mount socket with moulded guided entry for .059 (1,52) to .062 (1,57) diameter pins

Recommended mounting hole .102 (2,59) ±.002 (0,05), #38 drill



Min hole depth .250 (6,35)

**How to order code**  
**450-1826-01-XX-20**  
 Basic Part No XX = Finish

MATERIALS				
Component	Material	Finish(-03)	Finish(-04)	Finish(-06)
Body	Brass	Gold over Nickel	Tin	Tin
Spring	Beryllium copper	Gold over Nickel	Tin	Gold over Nickel
Moulded guide	Nylon, glass filed	Natural colour, -55°C-105°C		

## **X-ON Electronics**

Largest Supplier of Electrical and Electronic Components

*Click to view similar products for [cambion](#) manufacturer:*

Other Similar products are found below :

[570-1990-01-01-00](#) [570-1511-01-01-19](#) [450-8340-01-06-00](#) [450-8325-01-06-00](#) [450-3367-01-04-00](#) [571-4182-03-01-19](#) [945-8078-01-04-00](#)  
[160-1512-02-01-00](#) [460-8250-01-03-00](#) [460-8250-01-04-00](#) [571-4015-01-01-19](#) [160-1582-02-01-00](#) [450-3388-01-03-00](#)