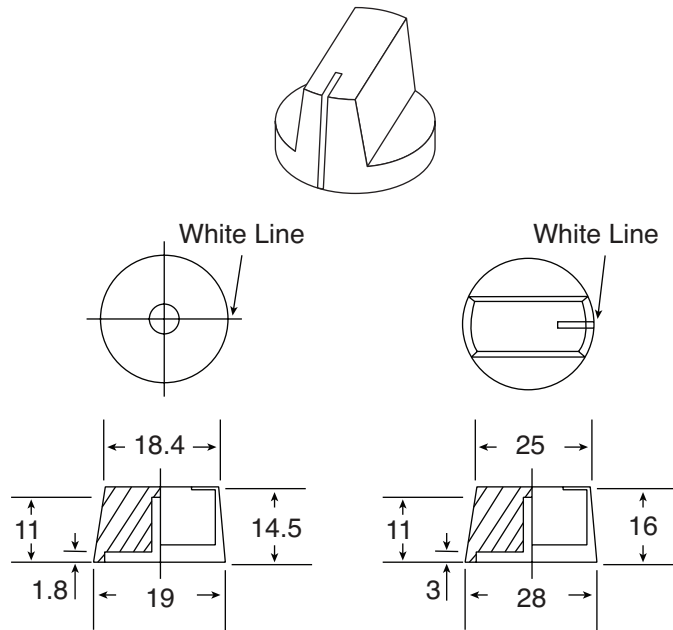


DIMENSIONS: mm



| Part Number | Shaft | Mounting Style | Color | Marker Line | Dimensions |
|-------------|-------|----------------|-------|-------------|-------------|
| 450-5100C | 6.4mm | set screw | Clear | Black | 19 x 14.5mm |
| 450-5110C | T18 | Knurled | Clear | Black | 19 x 14.5mm |
| 450-5120C | D | | Clear | Black | 19 x 14.5mm |
| 450-5300C | 6.4mm | set screw | Clear | Black | 27 x 16mm |
| 450-5310C | T18 | Knurled | Clear | Black | 27 x 16mm |
| 450-5320C | D | | Clear | Black | 27 x 16mm |

X-ON Electronics

Authorized Distributor

Click to view similar products for [Knobs & Dials](#) category:

[7-1437624-0](#) [8513](#) [8518](#) [11K5017-JCAG](#) [KAS500B1/4](#) [KN1755BS1/4](#) [KPN500A1/4](#)
[KS700A1/4](#) [2-1437621-9](#) [3025BE](#)