

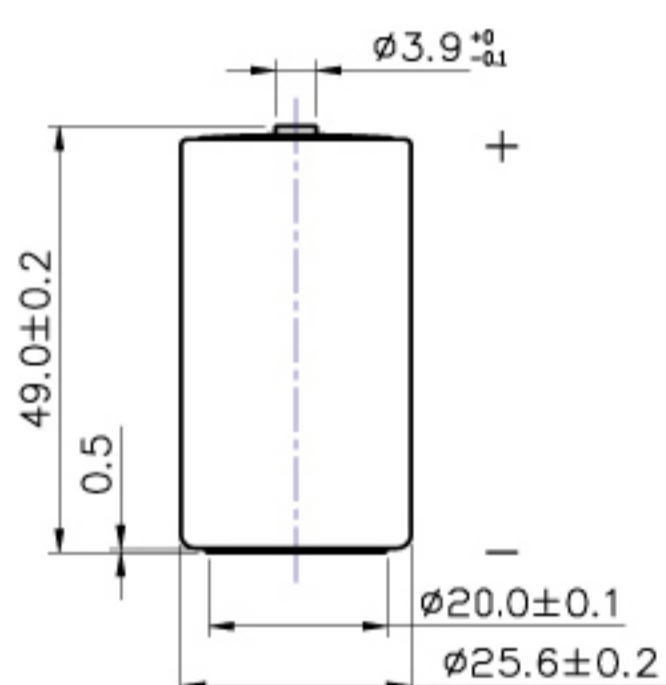
## SPECIFICATIONS

(Typical values for batteries stored at 20 °C for one year)

Nominal Capacity (At 3mA/20°C/68°F/2.0V Cut-Off)	8.5 Ah
Open Circuit Voltage (At 20°C/68°F)	3.67 V
Nominal Voltage (At 3mA/20°C/68°F)	3.6 V
Maximum Continuous Current	230 mA
Maximum Pulse Current Capability	400 mA
Operating Temperature Range	-55 ~ 85 °C
Weight	51 g (1.8 oz)
Anode Surface Area	30 cm <sup>2</sup>
Volume	26 cm <sup>3</sup>
Diameter (Max)	26.2 mm
Height (Max)	50 mm

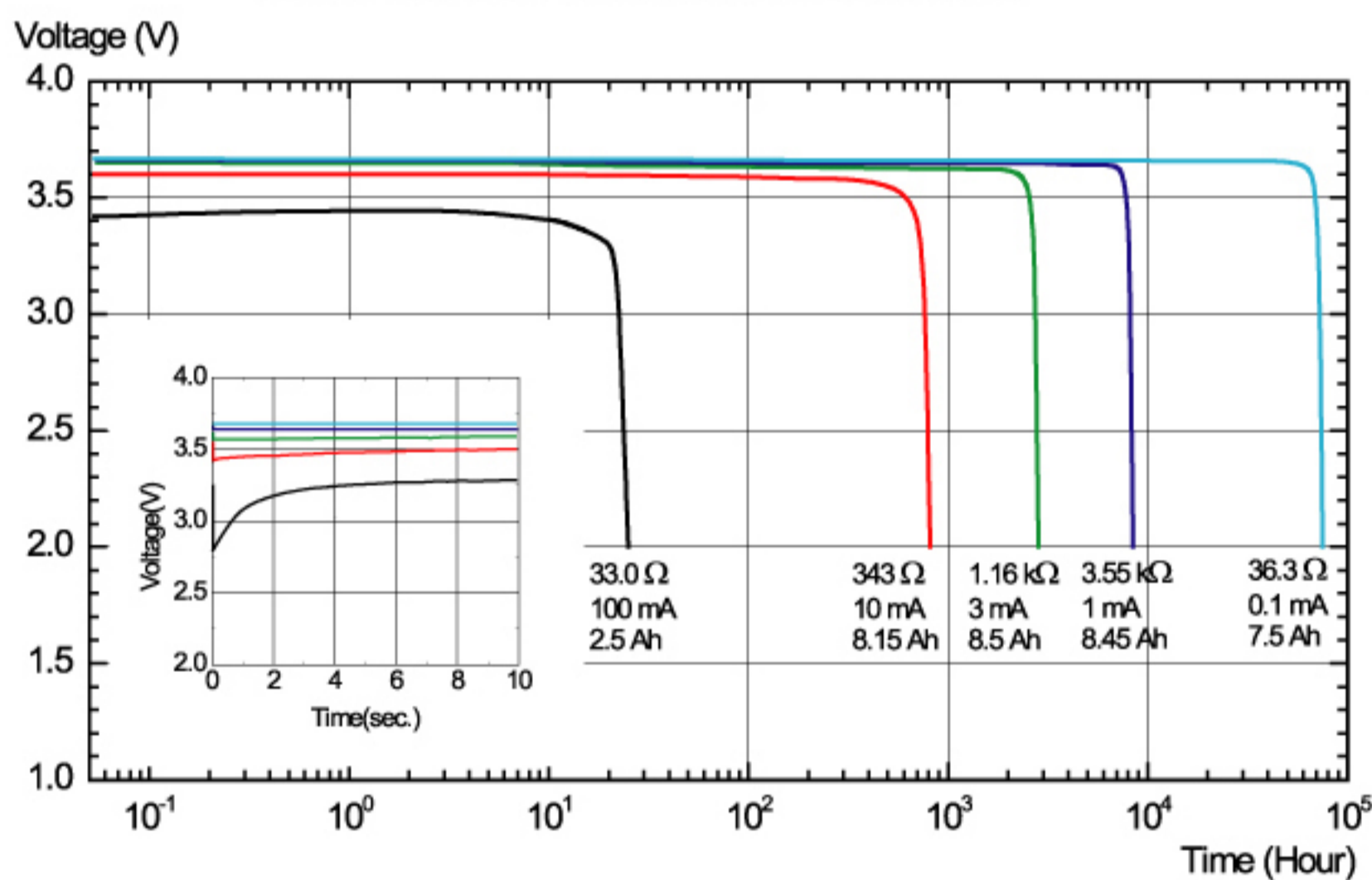


DIMENSIONS IN MM

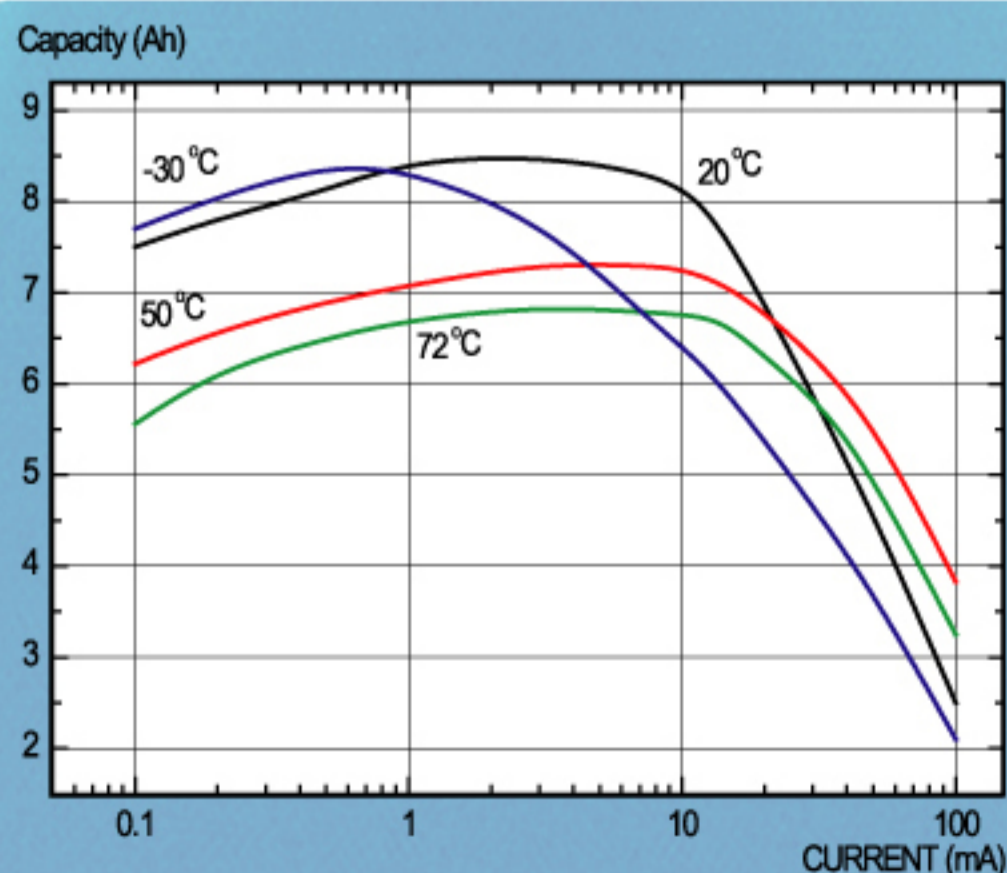


**WARNING**  
 Fire, Explosion And Severe Burn Hazard.  
 Do Not Recharge, Crush, Disassemble,  
 Heat Above 212°F(100°C), Incinerate  
 Or Expose Contents To Water

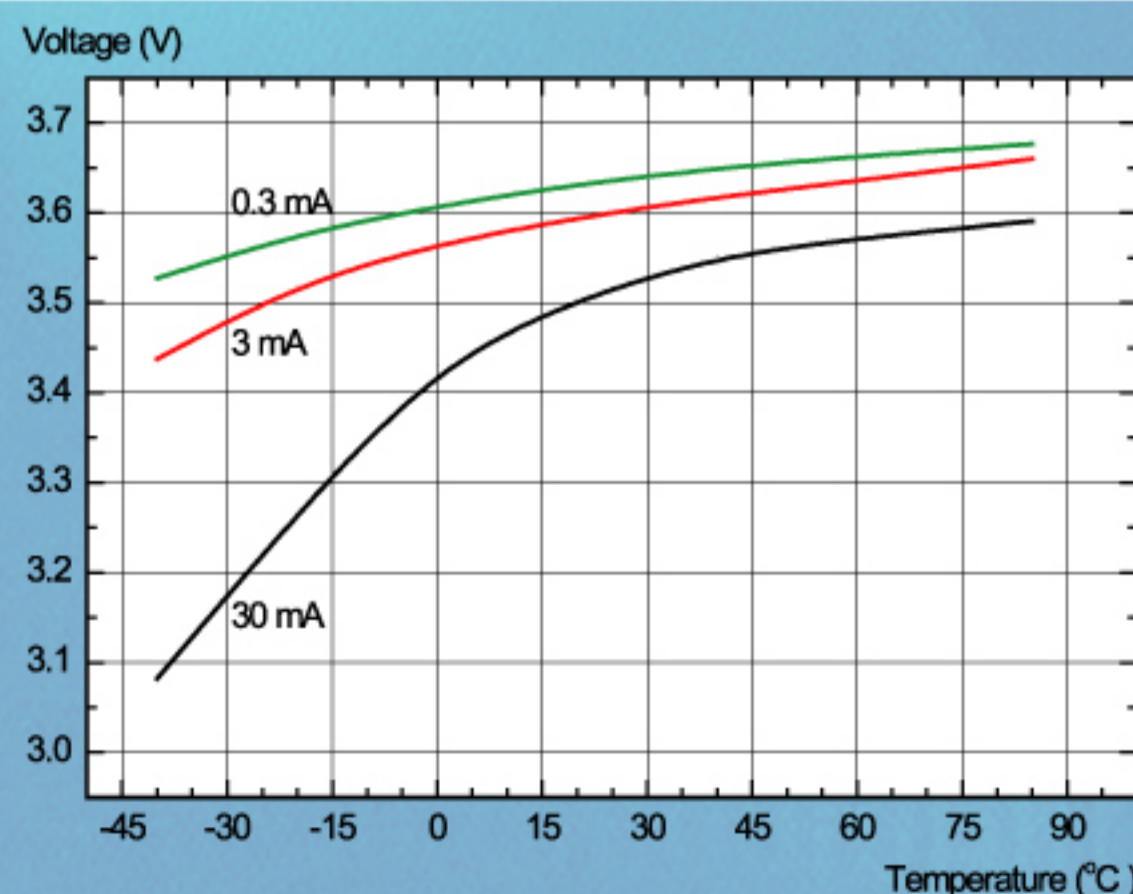
DISCHARGE CHARACTERISTICS AT +20°C



CAPACITY vs. CURRENT



OPERATING VOLTAGE

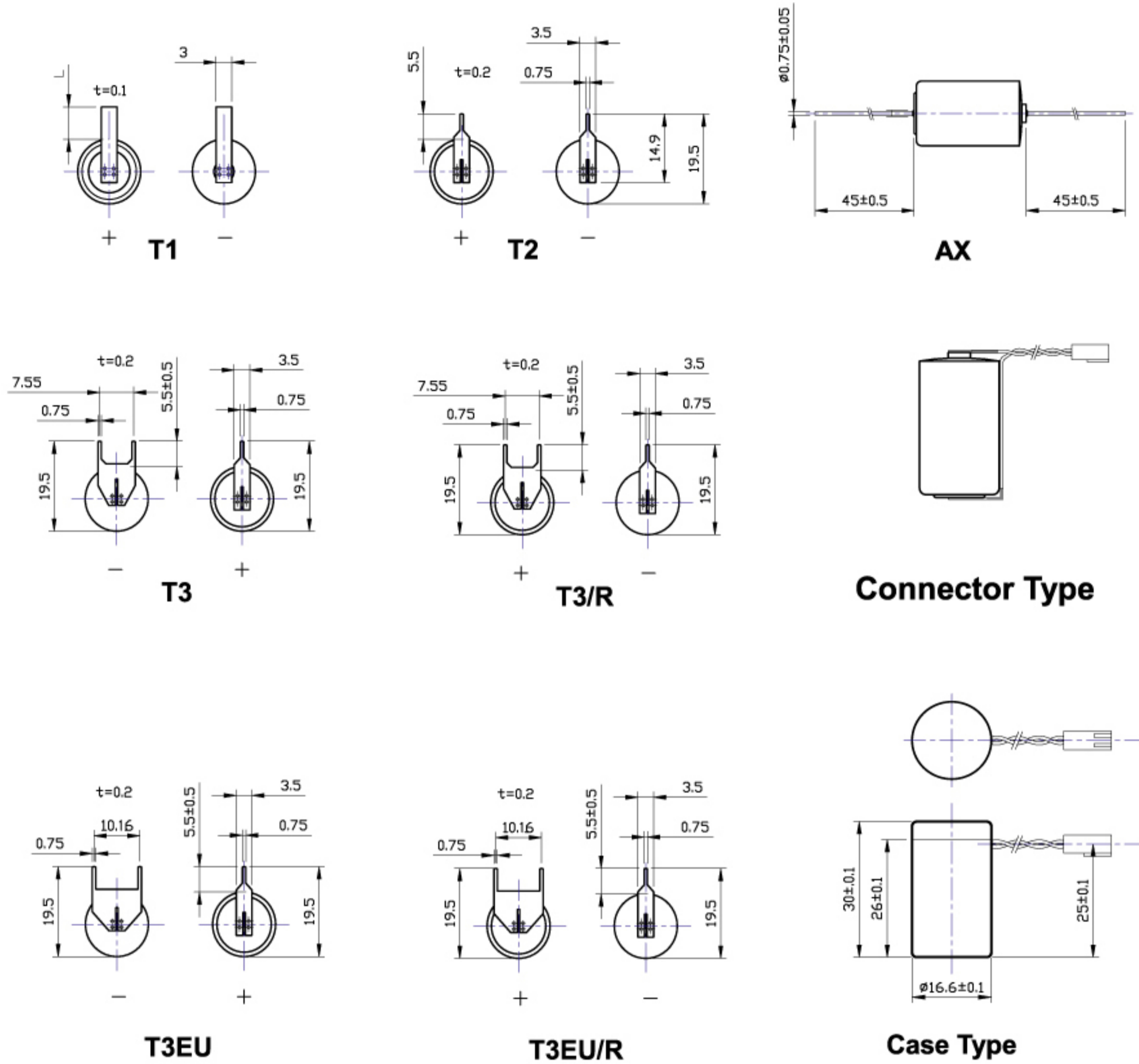


Any values in product catalogues are for informational purposes only.  
 They can also differ from actual conditions of usage and are not warranties of future performance.

# XenoEnergy Lithium Battery

## Terminals

(Unit : mm)



Model	T1/L(mm)	T2	T3 & T3/R	T3EU & T3EU/R	AX	Connector Type	Case Type
XL-050F	○/(7±0.5)	○	○	○	○	○	○
XL-050H	○/(7±0.5)	○	○	○	○	○	○
XL-055F	○/(7±0.5)	○	○	○	○	○	○
XL-060F	○/(7±0.5)	○	○	○	○	○	○
XL-060H	○/(7±0.5)	○	○	○	○	○	○
XL-140F	○/(16±1)				○	○	
XL-145F	○/(16±1)				○	○	
XL-200F	○/(16±1)				○	○	
XL-205F	○/(16±1)				○	○	
XL-210F					○		

## X-ON Electronics

Largest Supplier of Electrical and Electronic Components

*Click to view similar products for [Battery Packs](#) category:*

*Click to view products by [Xeno-Energy](#) manufacturer:*

Other Similar products are found below :

[2280309-1](#) [R101-B](#) [4114 210 501](#) [4120 210 501](#) [4600 726 406](#) [4610 726 406](#) [312G-U1](#) [55615703012](#) [3LR12](#) [4103 210 392](#) [4103 210 394](#)  
[4106 210 392](#) [4106 210 394](#) [4223 210 501](#) [4606 726 406](#) [4607 726 406](#) [ZA13](#) [LR03/AAA/MN2400\(K4\)](#) [LR03 MAXELL S4](#) [LR1130](#)  
[MAXELL B10](#) [LR14-MN1400-C K2](#) [LR1/910A](#) [LR41 MAXELL B10](#) [LR43](#) [LR43 MAXELL B10](#) [LR6 MAXELL S4](#) [11012](#) [E23A](#) [E90](#)  
[625302](#) [625304](#) [637871](#) [638006](#) [6LF22/9V/MN1604\(K1\)C&B](#) [6LF22/9V/MN1604 PLUS](#) [6LR61](#) [SR626SW MAXELL](#) [SR920SW](#)  
[MAXELL](#) [7K67 J](#) [55615303059](#) [GP14A S2](#) [GP15E](#) [GP1604GLF-2UE1](#) [GP 1604 ULTRA PLUS](#) [23733](#) [10 ET](#) [675 ET](#) [11A B5](#) [A544](#) [A76-](#)  
[U10](#)