



General Specifications

Motor Protection:

Auto Restart/Polarity Protection

Insulation Resistance: 10M Ω or over with a DC500V Megger

Dielectric Withstand Voltage: AC 700V 1s

Allowable Ambient Temperature Range:

B50 Class: -10°C ~ +60°C (Operating)

B10 ~ B40 Class: -10°C ~ +70°C (Operating)

All Class: -40°C ~ +70°C (Storage)
(non-condensing environment)

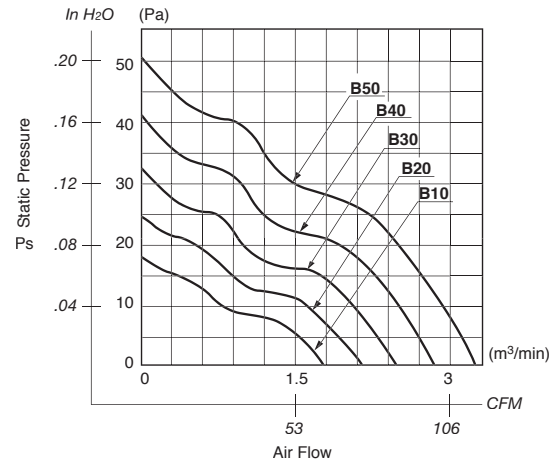
Expected Life

Failure Rate: 10%

25°C 100,000 Hours (B00, E00)

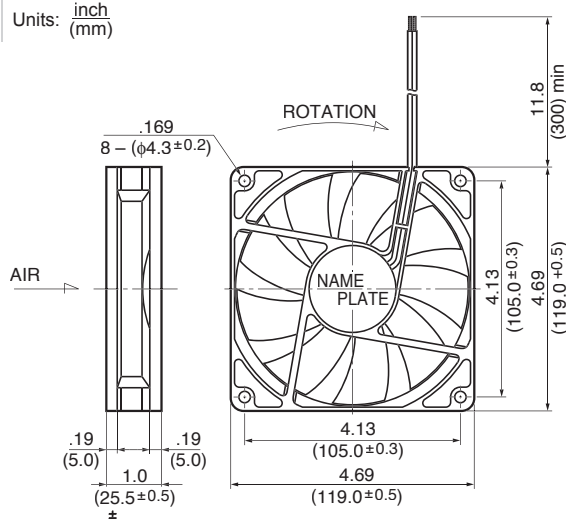
25°C 80,000 Hours (V00)

Characteristic Curves

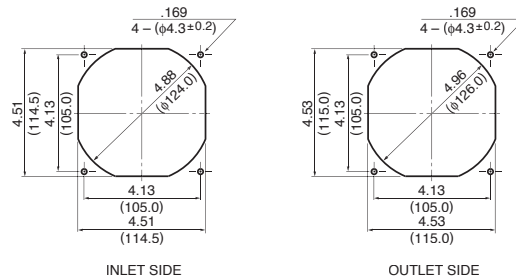


Outline

Units: $\frac{\text{inch}}{\text{mm}}$



Panel Cut-outs



Material

Casing : Plastic (Black) 94V-0

Impeller : Plastic (Black) 94V-0

Bearing : Ball Bearing

Lead Wire : UL1007, AWG24, +Red, -Black

Specifications

| MODEL | Product No. | Rated Voltage | Operating Voltage | Current | Input Power | Speed | Max. Air Flow | | Max. Static Pressure | | Noise | Mass |
|-----------------|-------------|---------------|-------------------|---------|-------------|-------|-------------------|-------------------------------------|----------------------|--------------------|-------|------|
| | | (V) | (V) | | | | CFM ^{*1} | (m ³ /min) ^{*1} | in H ₂ O | (Pa) ^{*1} | | |
| 4710KL-04W-B10- | X00 | 12 | 6.0 ~ 13.8 | 0.12 | 1.44 | 1600 | 63.5 | 1.80 | .07 | 17.9 | 27.0 | 180 |
| 4710KL-04W-B20- | X00 | 12 | 6.0 ~ 13.8 | 0.19 | 2.28 | 1900 | 75.9 | 2.15 | .10 | 24.8 | 31.0 | 180 |
| 4710KL-04W-B30- | X00 | 12 | 6.0 ~ 13.8 | 0.28 | 3.36 | 2200 | 88.2 | 2.50 | .13 | 32.3 | 35.0 | 180 |
| 4710KL-04W-B40- | X00 | 12 | 6.0 ~ 13.8 | 0.40 | 4.80 | 2500 | 100.6 | 2.85 | .16 | 40.9 | 38.5 | 180 |
| 4710KL-04W-B50- | X00 | 12 | 6.0 ~ 13.0 | 0.55 | 6.60 | 2800 | 114.7 | 3.25 | .20 | 50.5 | 41.5 | 180 |
| 4710KL-05W-B10- | X00 | 24 | 10.0 ~ 27.6 | 0.08 | 1.92 | 1600 | 63.5 | 1.80 | .07 | 17.9 | 27.0 | 180 |
| 4710KL-05W-B20- | X00 | 24 | 10.0 ~ 27.6 | 0.10 | 2.40 | 1900 | 75.9 | 2.15 | .10 | 24.8 | 31.0 | 180 |
| 4710KL-05W-B30- | X00 | 24 | 10.0 ~ 27.6 | 0.15 | 3.60 | 2200 | 88.2 | 2.50 | .13 | 32.3 | 35.0 | 180 |
| 4710KL-05W-B40- | X00 | 24 | 10.0 ~ 27.6 | 0.22 | 5.28 | 2500 | 100.6 | 2.85 | .16 | 40.9 | 38.5 | 180 |
| 4710KL-05W-B50- | X00 | 24 | 10.0 ~ 26.0 | 0.29 | 6.96 | 2800 | 114.7 | 3.25 | .20 | 50.5 | 41.5 | 180 |

Rotation: Clockwise

Airflow Outlet: Air Out Over Struts

*1: Average Values in Free Air

X-ON Electronics

Largest Supplier of Electrical and Electronic Components

Click to view similar products for [DC Fans](#) category:

Click to view products by [NMB Technologies](#) manufacturer:

Other Similar products are found below :

[614R](#) [6424/2HP-210](#) [8312R](#) [DV4118/2NP-183](#) [AFB0948HH-S687](#) [PFB0824DHE-8B72](#) [G2E085-AA05-10](#) [RD20S-4/210660](#) [4318/12T](#)
[4418HH](#) [AUB0912H-F00](#) [3412N/2ME](#) [K2E225-RA92-09](#) [4184N/2XR](#) [5214N2HH](#) [614J2HHPR-010](#) [8412NGL-12](#) [4114N/12HHR-297](#)
[4656](#) [ZWR-903](#) [4112N12GL-175](#) [KD2406PKB2.\(2\).GN](#) [AFB1248HHE](#) [AFB1212LE-F00](#) [FAN-SCH-1](#) [MF60151V1-1000U-G99](#)
[PF80252V1-1000U-G99](#) [PF92252V1-1000U-G99](#) [4112N/2H6P](#) [4114N/17-251](#) [6212NH](#) [622/2N](#) [712F-011](#) [8218J/2NP-181](#) [W1G180-AB47-](#)
[15](#) [FAA1-12038NBKW31-A](#) [6318N/2TDP](#) [6318N/2H3PU](#) [6318HU](#) [424JMU](#) [PMD1206PTVX-A.U.GN](#) [PF80251B2-000U-F99](#)
[EF40101BX-1000U-G99](#) [AD1224LB-A71GL](#) [9GA0924L4021](#) [9GA0924M4021](#) [9GA0924M4011](#) [9GA0824B20011](#) [9GA0812A2D0011](#)
[9GA0912M4D011](#) [9GA0924W4D01](#)