

4 - Signalling solutions

Selection guide *page 4/2*

Monolithic tower lights

- Complete miniature beacons, Ø 45 mm, Harmony type XVD LS *page 4/5*
- Pre-assembled and pre-cabled tower lights, Ø 40 to 100 mm, Harmony type XVC
 - Tower lights Ø 40 mm, type XVC 4 *page 4/11*
 - Tower lights Ø 60 mm, type XVC 6 *page 4/12*
 - Tower lights Ø 100 mm, type XVC 1 *page 4/13*

Modular tower lights

- Tower lights, Ø 45 mm, Harmony type XVM
 - Pre-assembled and pre-cabled tower lights *page 4/21*
 - Customer assembled tower lights *page 4/26*
- Tower lights, Ø 50 mm, Harmony type XVP C
 - For customer assembly, up to 5 units *page 4/33*
- Tower lights, Ø 70 mm, Harmony type XVE
 - Illuminated beacons, type XVE L *page 4/41*
 - Tower lights, type XVE C, for customer assembly, up to 5 units *page 4/42*
 - Separate components for XVE L and XVE C *page 4/43*
- Tower lights, Ø 70 mm, Harmony type XVB
 - Illuminated beacons, type XVB L *page 4/50*
 - Tower lights, type XVB C, for customer assembly, up to 5 units *page 4/53*
 - Accessories for XVB L and XVB C *page 4/57*
- Tower lights, Ø 70 mm, Harmony type XVD
 - Pre-cabled tower lights XVD B and XVD M *page 4/63*
 - Tower lights type XVD L and XVD C for customer assembly, up to 5 units *page 4/64*
 - Accessories for XVD L and XVD C *page 4/67*

Rotating beacons

- Pre-cabled rotating beacons, Harmony type XVR *page 4/71*

Sound solutions

- Sirens and electronic alarms, Harmony type XVS *page 4/73*

Signalling solutions

Harmony type XV

Monolithic tower lights



	Complete pre-cabled pilot lights, height 55 mm	Complete miniature beacons
	Ø 25	Ø 45
Conforming to IEC 60529	IP 40	IP 40
Steady	–	■
Flashing	–	–
"Flash"	–	■
Sound	–	–
Incandescent bulb	■	■
LED bulb	–	–
Integral LED	–	–
"Flash" discharge tube	–	■
Halogen bulb	–	–
Options	<input type="checkbox"/> Green <input type="checkbox"/> Red <input type="checkbox"/> Clear <input type="checkbox"/> Yellow	<input type="checkbox"/> Green <input type="checkbox"/> Red <input type="checkbox"/> Orange <input type="checkbox"/> Blue <input type="checkbox"/> Clear <input type="checkbox"/> Yellow
	Flying leads, length 360 mm	Screw clamp terminals
cut-out	Ø 22 or Ø 30	3 x Ø 3.3 or M3



4

Wired tower lights

	Ø 60	Ø 100
(Installation) (Installation)		IP 54 (flat surface installation)
0 to 900 mm according to 7-EN/3)	Flying leads, length 450 to 850 mm according to model (see page 35097-EN/3)	Flying leads, length 500 mm
be with bracket: 2 x Ø 9 horizontal support: 3 x Ø 5 ilities with accessories	Mounting on support tube with bracket: 2 x Ø 11 Direct mounting on horizontal support: 3 x Ø 5 Other mounting possibilities with accessories	Direct mounting on horizontal support: - 3 x Ø 6 (without siren) - 3 x Ø 7 (with siren) Other mounting possibilities with accessories

Signalling solutions

Harmony type XV

Modular tower lights



	Pre-assembled/pre-cabled tower lights Variable composition tower lights for customer assembly of up to 5 units	Variable composition tower lights for customer assembly of up to 5 units	Illuminated beacons Variable composition tower lights for customer assembly of up to 5 units
	Ø 45	Ø 50	Ø 70
Compliant to IEC 60529	IP 54 in vertical position (XVM with plastic fixing plate) IP 42 in horizontal position (XVM with metal bracket) IP 40 in other positions (all types of XVM tower lights)	IP 65 for illuminated units IP 43 for audible units	IP 42 mounted vertically IP 40 for other positions IP 54 with reinforced protection (using sealing kit)
Steady	■	■	■
Flashing	■	■	■
"Flash"	■	-	■
Sound	-	-	■
Incandescent bulb	■	■	■
LED bulb	■	■ "PROTECTED LED"	-
Integral LED	-	-	■
"Flash" discharge tube	■	■	■
Halogen bulb	-	-	-
Colors	<input type="checkbox"/> Red <input type="checkbox"/> Green <input type="checkbox"/> Orange <input type="checkbox"/> Blue <input type="checkbox"/> Clear	<input type="checkbox"/> Green <input type="checkbox"/> Red <input type="checkbox"/> Orange <input type="checkbox"/> Blue <input type="checkbox"/> Clear <input type="checkbox"/> Yellow	<input type="checkbox"/> Green <input type="checkbox"/> Red <input type="checkbox"/> Orange <input type="checkbox"/> Blue <input type="checkbox"/> Clear
Terminals	Flying leads, length 300 mm or screw terminals	Screw clamp terminals	Screw clamp terminals
Mounting	Mounting on bracket: 2 x Ø 9 Mounting on support tube: 4 x Ø 5.5 or M5	Mounting on bracket: 2 x Ø 9 Mounting on fixing base: 4 x Ø 5 or M5	Mounting on support tube: 4 x Ø 5.5 or M5 Vertical mounting: 3 x Ø 5 or M5

	Rotating beacons	Sound solutions
--	------------------	-----------------



4

Tower lights for up to 5 units	Pre-cabled tower lights Tower lights for customer assembly of up to 5 units	Pre-cabled rotating beacons	Sirens and electronic alarms
Ø 70	Ø 70	Ø 84 to Ø 130	–
IP 40	IP 40	Ø 84 and 106: IP 23 (IP 65 with accessory) Ø 120: IP 23 Ø 130: IP 66 and IP 67 (depending on voltage)	IP 53 (sirens) IP 54 (electronic alarms)
■	■	■	–
■	–	–	–
■	–	–	–
■	–	■	■
■	–	–	–
■ “PROTECTED LED”	■ “Super Bright”	–	–
–	–	–	–
■	–	–	–
–	–	■	–
<input type="checkbox"/> Green <input type="checkbox"/> Red <input type="checkbox"/> Orange <input type="checkbox"/> Blue <input type="checkbox"/> Clear <input type="checkbox"/> Yellow	<input type="checkbox"/> Red <input type="checkbox"/> Orange <input type="checkbox"/> Green <input type="checkbox"/> Blue	–	–
Screw clamp terminals	Flying leads, length 400 mm (except XVR 08: 500 mm)	Screw clamp terminals (except XVS 14: flying leads, length 500 mm)	
Ø 5 or M5 4.5 or M4	Depending on model: - XVR 08 (Ø 84 mm) : 3 x Ø 5 - XVR 10 (Ø 106 mm) : 3 x Ø 5 - XVR 12 (Ø 120 mm) : 3 x Ø 6	3 x Ø 6.5	

Signalling solutions

Monolithic tower lights

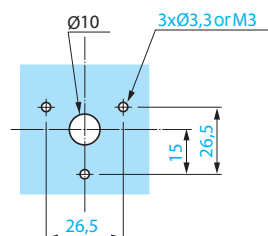
Harmony type XVD LS Ø 45 mm

Complete miniature beacons

Miniature illuminated beacons XVD LS are suitable for installation on small machines for short distance signalling of the process status.

Standard version		CSA, UL
		EN/IEC 60947-5-1
Standard version		"TC"
For storage	°C	- 40... + 70
For operation	°C	- 25... + 70 with incandescent bulb - 10... + 50 with "flash" discharge tube
Conforming to IEC 61140		Class II
Conforming to IEC 60529		IP 40
Illuminated units		Polycarbonate
Base unit and cover		Glass-reinforced polyamide and polycarbonate
Conforming to EN/IEC 60947-1	V	250
With "flash" discharge tube circuit	mA	~ 24 V: < 90 --- 24 V: < 145
	mA	~ 120 V: < 35
	mA	~ 230 V: < 25
Conforming to EN/IEC 60947-1	kV	U imp = 4
Illuminated units with steady light		Incandescent bulbs with BA 15d base fitting, maximum power 5 W
Illuminated units with discharge circuit (flash lamp with integral tube)	cds	1.4 (integral high intensity tube) with clear lens unit
Maximum clamping capacity on protected, ready-to-tighten, screw and captive cable clamp terminals	mm ²	1 x 1.5 with cable end
		For n° 7 (DIN Pg 7) cable gland, not included

Panel cut-out for direct fixing



Signalling solutions

Monolithic tower lights

Harmony type XVD LS Ø 45 mm

Complete miniature beacons

Beacons with steady light signalling

Description	Light source, to be ordered separately	Colour	Reference	Weight kg
Complete unit comprising: - 1 illuminated unit - 1 base unit (direct fixing)	Incandescent bulb 5 W max. 230 V max.	Green	XVD LS33	0.080
		Red	XVD LS34	0.080
		Orange	XVD LS35	0.080
		Blue	XVD LS36	0.080
		Clear	XVD LS37	0.080
		Yellow	XVD LS38	0.080

Bulbs for beacons with steady light signalling

Description	Characteristics		Sold in lots of	Unit reference	Weight kg
Incandescent bulbs BA 15d base fitting	24 V	4 W	10	DL1 BEBS	0.090
	120 V	5 W	10	DL1 BEGS	0.090
	230 V	5 W	10	DL1 BEMS	0.090

Beacons with 1 Joule "flash" discharge tube

Description	Light source (included)	Colour	Reference	Weight kg		
Complete unit comprising: - 1 illuminated unit - 1 base unit (direct fixing)	"Flash" discharge tube ~ 24 V	Green	XVD LS6B3	0.085		
		Red	XVD LS6B4	0.085		
		Orange	XVD LS6B5	0.085		
		Blue	XVD LS6B6	0.085		
		Clear	XVD LS6B7	0.085		
		Yellow	XVD LS6B8	0.085		
		"Flash" discharge tube ~ 120 V	"Flash" discharge tube ~ 120 V	Green	XVD LS6G3	0.085
				Red	XVD LS6G4	0.085
Orange	XVD LS6G5			0.085		
Blue	XVD LS6G6			0.085		
Clear	XVD LS6G7			0.085		
Yellow	XVD LS6G8			0.085		
"Flash" discharge tube ~ 230 V	"Flash" discharge tube ~ 230 V			Green	XVD LS6M3	0.085
				Red	XVD LS6M4	0.085
		Orange	XVD LS6M5	0.085		
		Blue	XVD LS6M6	0.085		
		Clear	XVD LS6M7	0.085		

7

Signalling solutions

Monolithic tower lights

Harmony type XVC Ø 40, Ø 60 and 100 mm

Pre-assembled and pre-cabled tower lights

Presentation

The monolithic tower lights in the Harmony XVC range are designed for long distance indication of the operating states or sequences of a machine or installation, either visually by means of illuminated signalling units visible through 360°, or audibly by means of an adjustable buzzer or siren.

■ The range includes small diameter products (40 and 60 mm) and larger diameter products (100 mm). It is therefore suitable for use in virtually all activity sectors :

- XVC 4 (40 mm) tower lights are used mainly in the food-processing and medical sectors,
- XVC 6 (60 mm) tower lights are used in semi-conductor factories, on conveyor belts and on small food or drink dispensing machines in the commercial sector,
- XVC 1 (100 mm) tower lights are more particularly designed for industrial applications and machine-tools.

■ The entire range provides an IP 54 degree of protection to allow outdoor as well as indoor use.

■ XVC tower lights are supplied:

- with 1, 2, 3, 4, or 5 illuminated signalling units (up to 3 for XVC 1●●HK),
- with or without a buzzer or siren,
- pre-assembled and pre-cabled,
- fitted with a support tube and bracket for mounting on a vertical support or 3 screws for direct mounting on a horizontal surface (depending on the model).

Illuminated signalling

Several lens unit colours are available from the catalogue:

- 5 colours for XVC 1●●K and XVC 1●●SK (red, orange, green, blue or clear),
- 3 colours for XVC 1●●HK (red, orange, green).

The colours are always placed in that order, from top to bottom.

The light source consists of Super Bright LEDs which provide optimum luminosity.

Audible signalling

The tower light is supplied with or without an audible signalling unit (buzzer or siren) depending on the required configuration. This audible unit is located in the base of the tower light.

For products equipped with a buzzer, the type of signal (continuous or intermittent) can be reversed by modifying the cable connections (only for 60 and 100 mm units). For products equipped with a siren, it is possible to choose between 16 melodies, either by a switch or by 4 external digital outputs.

A potentiometer is also present in the base for adjusting the audible signalling volume, up to a value of:

- 85 decibels for XVC 1●●K and XVC 1●●SK (equipped with a buzzer),
- 102 decibels for XVC 1●●HK (equipped with a siren).

Cabling

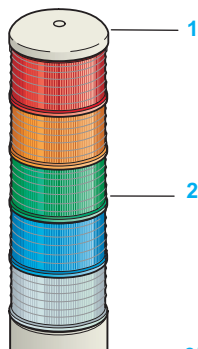
XVC tower lights supplied pre-assembled are equipped with wires marked with a label indicating the correct way to connect. Each level is marked by a different coloured wire.

XVC tower lights that have been pre-assembled and pre-cabled at the factory cannot be modified because the wires are permanently connected (soldered)

Description

XVC tower lights comprise an assembly of:

- 1 A cover.
- 2 One, two, three, four or five coloured illuminated signalling units (red, orange, green, blue or clear). Each illuminated unit is equipped with a LED (Super Bright LED).



Signalling solutions

Monolithic tower lights

Harmony type XVC Ø 40 and Ø 60 mm

Pre-assembled and pre-cabled tower lights

Characteristics

		XVC 4B● XVC 4B●5S XVC 4B●K	XVC 6B● XVC 6B●5S XVC 6B●K XVC 6B●5SK	XVC 4M● XVC 4M●5S	XVC 6M● XVC 6M●5S XVC 6M●K XVC 6M●5SK
		CE (UL, CSA)		CE (UL, CSA and CCC)	
Standards		EN/IEC 61000-6-2, EN/IEC 61000-6-3	EN/IEC 61000-6-2, EN/IEC 61000-6-3, EN/IEC 61000-6-4	EN/IEC 60947-1, EN/IEC 60947-5-1	
		"TC"			
Temperature	°C	- 35...+ 70			
Operation	°C	- 10...+ 50			
Installation		Class I			
Mounted on support tube		Class II		Class I	
Mounted on base					
Mounted on support tube		IP 54 (Flat surface installation)			
Mounted on base		IP 23 (Vertical surface installation)			
Top cover		PBT + ABS (UL94HB)		PBT + ABS (UL94V-0)	
Illuminated lens unit		PC (polycarbonate)			
Base		ABS or PBT + ABS			
Support tube		SGP (chromium-plated)	STK (chromium-plated)	SGP (chromium-plated)	STK (chromium-plated)
L mounting bracket		SPCC (Cr3 + chromium-plated)			
		LED			



Characteristics

	V	~ 24	~ 100 - 240		
Voltage	kV	0.8	4		
Current	Steady light	1 unit mA	25	30	35
		2 units mA	50	45	50
		3 units mA	75	60	
		4 units mA	100	75	
		5 units mA	125	90	
Steady/flashing light with buzzer	1 unit mA	65	50	60	
	2 units mA	90	65	75	
	3 units mA	115	80	85	
	4 units mA	140	95	100	
	5 units mA	165	110	115	
Sound level (continuous or intermittent tone) at 1 m	dB	70...85			
Fundamental frequency	kHz	2.23			
	Hz	1			
Cable diameter	mm ²	Wire c.s.a. 0.33 mm ² / AWG 22 (1)		Wire c.s.a. 0.33 mm ² / AWG 22 (1) Wire c.s.a. 0.83 mm ² / SPT-1 AWG 18 (1)	
Cable length	mm	600 for XVC 4B● 900 for XVC 4B●5S 500 for XVC 4B●K	600 for XVC 6B● 550 for XVC 6B●5S 850 for XVC 6B●K and XVC 6B●5SK	450 XVC 6M● : - 450 for signal - 550 for power - 550 for earth XVC 6M●5S : - 450 for signal - 450 for power	

iCS (continued)

Signalling solutions

Monolithic tower lights
Harmony type XVC Ø 100 mm
Pre-assembled and pre-cabled tower lights

Characteristics		XVC 1B●K XVC 1B●SK	XVC 1M●K XVC 1M●SK	XVC 1B●HK	XVC 1M●HK	
		CE (UL, CSA)				
		EN/IEC 61000-6-2, EN/IEC 61000-6-3, EN/IEC 61000-6-4	EN/IEC 60947-1, EN/IEC 60947-5-1	EN/IEC 61000-6-2, EN/IEC 61000-6-3, EN/IEC 61000-6-4	EN/IEC 60947-1, EN/IEC 60947-5-1	
		"TC"				
Storage	°C	- 35...+ 70		- 35...+ 70		
Operation	°C	- 30...+ 50		- 20...+ 50		
Mounted on support tube		-				
Mounted on base		Class II	Class I	Class II	Class I	
Mounted on support tube		-				
Mounted on base		IP 54 (Flat surface installation)				
Top cover		PBT + ABS (UL94-V0)				
Illuminated lens unit		PC (polycarbonate)				
Base		PBT + ABS (UL94-V0)				
Support tube		-				
L mounting bracket		-				
		LED				
Characteristics		V	~ 24	~ 100 - 240	~ 24	~ 100 - 240
		kV	0.8	4	0.8	4
Steady/flashing light	1 unit	mA	100	75	-	-
	2 units	mA	200	120	-	-
	3 units	mA	300	160	-	-
	4 units	mA	400	215	-	-
	5 units	mA	500	270	-	-
Steady/flashing light with buzzer	1 unit	mA	150	85	460	235
	2 units	mA	250	130	550	280
	3 units	mA	350	170	660	320
	4 units	mA	450	230	-	-
	5 units	mA	550	280	-	-
Sound level at 1 m		dB	60...85 (continuous or intermittent tone)		0...102	
		Hz	0.7...3			
Cable diameter		Wire c.s.a.: 0.33 mm ² / AWG 22 (1) Wire c.s.a.: 0.83 mm ² / AWG 18 (1)				
Cable length	mm	500				

usage.

Signalling solutions

Monolithic tower lights

Harmony type XVC Ø 40 mm

Pre-assembled and pre-cabled tower lights

Pre-assembled and pre-cabled tower lights Ø 40 mm

Description	Light source (included)	Voltage V	Signalling colours (1)		Reference	Weight kg
			Steady	Flashing (2)		
For support tube mounting, 17 mm						
Without buzzer	LED for steady light only	≈ 24	R	–	XVC 4B1	0.500
			R, O	–	XVC 4B2	0.520
			R, O, G	–	XVC 4B3	0.540
			R, O, G, B	–	XVC 4B4	0.560
			R, O, G, B, C	–	XVC 4B5	0.580
	≈ 100-240	R	–	XVC 4M1	0.720	
		R, O	–	XVC 4M2	0.750	
		R, O, G	–	XVC 4M3	0.780	
		R, O, G, B	–	XVC 4M4	0.810	
		R, O, G, B, C	–	XVC 4M5	0.840	
With buzzer + flashing light	LED for steady or flashing light	≈ 24	R	R	XVC 4B15S	0.600
			R, O	R, O	XVC 4B25S	0.620
			R, O, G	R, O, G	XVC 4B35S	0.640
			R, O, G, B	R, O, G, B	XVC 4B45S	0.660
			R, O, G, B, C	R, O, G, B, C	XVC 4B55S	0.680
	≈ 100-240	R	R	XVC 4M15S	0.740	
		R, O	R, O	XVC 4M25S	0.770	
		R, O, G	R, O, G	XVC 4M35S	0.800	
		R, O, G, B	R, O, G, B	XVC 4M45S	0.830	
		R, O, G, B, C	R, O, G, B, C	XVC 4M55S	0.860	

For base mounting

Without buzzer	LED for steady light only	≈ 24	R	–	XVC 4B1K	0.100
			R, O	–	XVC 4B2K	0.120
			R, O, G	–	XVC 4B3K	0.140
			R, O, G, B	–	XVC 4B4K	0.160
			R, O, G, B, C	–	XVC 4B5K	0.180

Accessories for support tube mounting

Description	Diameter mm	Minimum height to be added mm	Reference	Weight kg
Metal fixing plate	90	32	XVC Z11	0.100
Plastic fixing plate	84	24.5	XVC Z01	0.060
Wall mounting bracket	–	82	XVC Z31	0.130

(1) Signalling colours: R: Red, O: Orange, G: Green, B: Blue, C: Clear. The colours are listed in the same order as the mounting order of the illuminated units (from top to bottom).

(2) Flashing function can be simply selected/programmed by wiring.

(continued)

Signalling solutions

Monolithic tower lights
Harmony type XVC Ø 60 mm
Pre-assembled and pre-cabled tower lights

Pre-assembled and pre-cabled tower lights Ø 60 mm

Description	Light source (included)	Voltage V	Signalling colours (1)		Reference	Weight kg
			Steady	Flashing (2)		
For support tube mounting, 22 mm						
Without buzzer	LED for steady light only	≈ 24	R	–	XVC 6B1	0.700
			R, O	–	XVC 6B2	0.740
			R, O, G	–	XVC 6B3	0.780
			R, O, G, B	–	XVC 6B4	0.820
			R, O, G, B, C	–	XVC 6B5	0.860
		≈ 100-240	R	–	XVC 6M1	0.960
			R, O	–	XVC 6M2	1.020
			R, O, G	–	XVC 6M3	1.070
			R, O, G, B	–	XVC 6M4	1.120
			R, O, G, B, C	–	XVC 6M5	1.180
With buzzer + flashing light	LED for steady or flashing light	≈ 24	R	R	XVC 6B15S	0.900
			R, O	R, O	XVC 6B25S	0.940
			R, O, G	R, O, G	XVC 6B35S	0.980
			R, O, G, B	R, O, G, B	XVC 6B45S	1.020
			R, O, G, B, C	R, O, G, B, C	XVC 6B55S	1.060
		≈ 100-240	R	R	XVC 6M15S	1.010
			R, O	R, O	XVC 6M25S	1.070
			R, O, G	R, O, G	XVC 6M35S	1.120
			R, O, G, B	R, O, G, B	XVC 6M45S	1.170
			R, O, G, B, C	R, O, G, B, C	XVC 6M55S	1.230
For base mounting						
Without buzzer	LED for steady light only	≈ 24	R	–	XVC 6B1K	0.200
			R, O	–	XVC 6B2K	0.250
			R, O, G	–	XVC 6B3K	0.300
			R, O, G, B	–	XVC 6B4K	0.350
			R, O, G, B, C	–	XVC 6B5K	0.400
		≈ 100-240	R	–	XVC 6M1K	0.440
			R, O	–	XVC 6M2K	0.500
			R, O, G	–	XVC 6M3K	0.550
			R, O, G, B	–	XVC 6M4K	0.600
			R, O, G, B, C	–	XVC 6M5K	0.660
With buzzer + flashing light	LED for steady or flashing light	≈ 24	R	R	XVC 6B15SK	0.200
			R, O	R, O	XVC 6B25SK	0.250
			R, O, G	R, O, G	XVC 6B35SK	0.300
			R, O, G, B	R, O, G, B	XVC 6B45SK	0.350
			R, O, G, B, C	R, O, G, B, C	XVC 6B55SK	0.400
		≈ 100-240	R	R	XVC 6M15SK	0.490
			R, O	R, O	XVC 6M25SK	0.550
			R, O, G	R, O, G	XVC 6M35SK	0.600
			R, O, G, B	R, O, G, B	XVC 6M45SK	0.650
			R, O, G, B, C	R, O, G, B, C	XVC 6M55SK	0.710

Accessories for support tube mounting and base mounting

Description	For use with	Diameter mm	Minimum height to be added (mm)	Reference	Weight kg
Metal fixing plate for support-tube mounting	XVC 6●● and XVC 6●●5S	100	30	XVC Z02	0.080

S (continued)

Signalling solutions

Monolithic tower lights

Harmony type XVC Ø 100 mm

Pre-assembled and pre-cabled tower lights

Pre-assembled and pre-cabled tower lights Ø 100 mm

Description	Light source (included)	Voltage V	Signalling colours (1)		Reference	Weight kg
			Steady	Flashing (2)		
For base mounting						
Without buzzer With flashing light	LED for steady or flashing light	☰ 24	R	R	XVC 1B1K	0.700
			R, O	R, O	XVC 1B2K	0.900
			R, O, G	R, O, G	XVC 1B3K	1.100
			R, O, G, B	R, O, G, B	XVC 1B4K	1.300
			R, O, G, B, C	R, O, G, B, C	XVC 1B5K	1.500
		~ 100-240	R	R	XVC 1M1K	1.000
			R, O	R, O	XVC 1M2K	1.200
			R, O, G	R, O, G	XVC 1M3K	1.400
			R, O, G, B	R, O, G, B	XVC 1M4K	1.600
			R, O, G, B, C	R, O, G, B, C	XVC 1M5K	1.800
With buzzer + flashing light	LED for steady or flashing light	☰ 24	R	R	XVC 1B1SK	0.700
			R, O	R, O	XVC 1B2SK	0.900
			R, O, G	R, O, G	XVC 1B3SK	1.100
			R, O, G, B	R, O, G, B	XVC 1B4SK	1.300
			R, O, G, B, C	R, O, G, B, C	XVC 1B5SK	1.500
		~ 100-240	R	R	XVC 1M1SK	1.050
			R, O	R, O	XVC 1M2SK	1.250
			R, O, G	R, O, G	XVC 1M3SK	1.450
			R, O, G, B	R, O, G, B	XVC 1M4SK	1.650
			R, O, G, B, C	R, O, G, B, C	XVC 1M5SK	1.850
With siren + flashing light	LED for steady or flashing light	☰ 24	R	R	XVC 1B1HK	1.580
			R, O	R, O	XVC 1B2HK	1.780
			R, O, G	R, O, G	XVC 1B3HK	1.980
		~ 100-240	R	R	XVC 1M1HK	1.680
			R, O	R, O	XVC 1M2HK	1.880
			R, O, G	R, O, G	XVC 1M3HK	2.080

Accessories for mounting on vertical support

Description	For use with	Diameter mm	Height mm	Reference	Weight kg
Chromium plated-steel extension tube with metal fixing plate	XVC 1●●K and XVC 1●●SK	140	300	XVC Z13	0.700
	XVC 1●●HK (with siren)	140	306	XVC Z14	0.700
Metal fixing bracket	XVC 1●●K and XVC 1●●SK	–	–	XVC Z23	0.380
	XVC 1●●HK (with siren)	–	–	XVC Z24	0.380

(1) Signalling colours: R: Red, O: Orange, G: Green, B: Blue, C: Clear. The colours are listed in the same order as the mounting order of the illuminated units (from top to bottom).

(2) Flashing function can be simply selected/programmed by wiring.

Signalling solutions

Monolithic tower lights

Harmony type XVC Ø 40 mm

Pre-assembled and pre-cabled tower lights

Pre-cabled tower lights Ø 40 mm

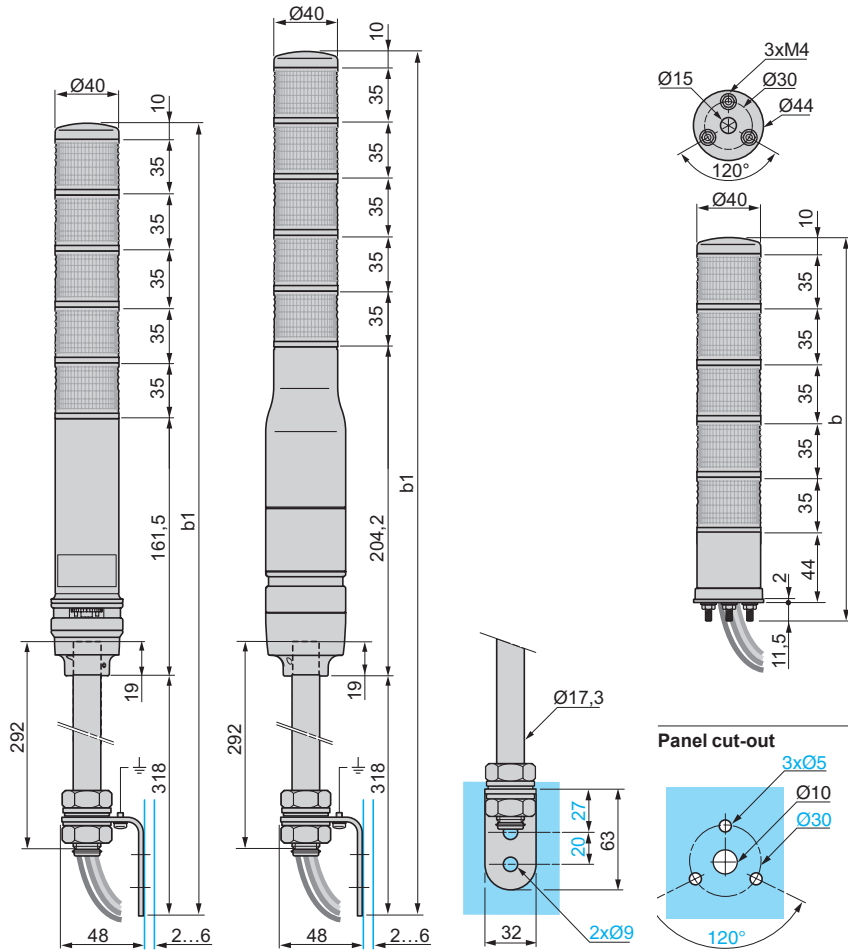
Mounting

XVC 4B●5S

XVC 4M●, XVC 4M●5S

For direct mounting on horizontal support

XVC 4B●K



Pre-cabled and pre-cabled tower lights

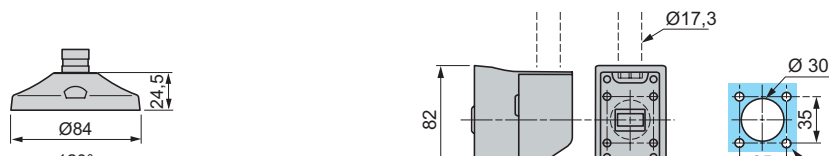
b Without buzzer (mm)	b1 With buzzer (mm)		No. of illuminated units	b Without buzzer (mm)
	XVC 4B●5S	XVC 4M●, XVC 4M●5S		
403.5	524.5	567.2	1 stage	100.5
438.5	559.5	602.2	2 stages	135.5
473.5	594.5	637.2	3 stages	170.5
508.5	629.5	672.2	4 stages	205.5
543.5	664.5	707.2	5 stages	240.5

Tower lights type XVC 4●● and XVC 4●●5S

11

Plastic fixing plate, XVC Z01

Wall mounting bracket, XVC Z31



Signalling solutions

Monolithic tower lights

Harmony type XVC Ø 60 mm

Pre-assembled and pre-cabled tower lights

Pre-assembled and pre-cabled tower lights Ø 60 mm

Mounting

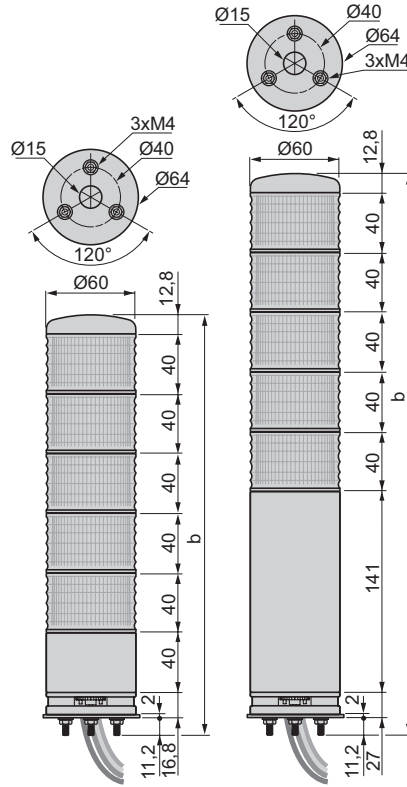
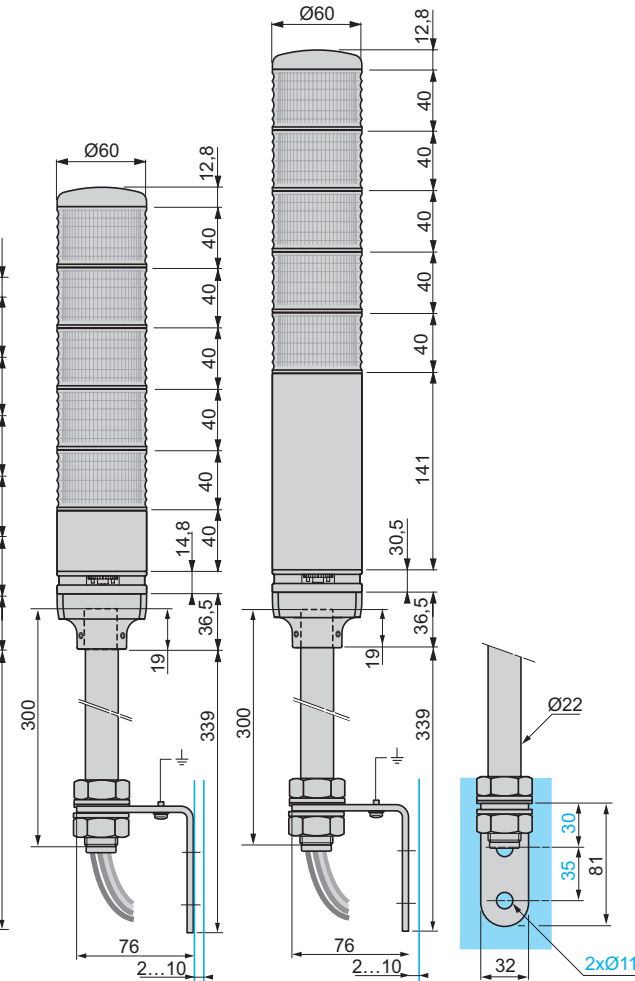
For mounting on horizontal support (direct or with fixing plate)

XVC 6B●5S

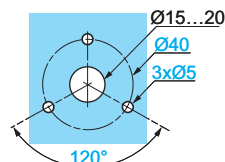
XVC 6M●, XVC 6M●5S

XVC 6B●K, 6B●5SK

XVC 6M●K, XVC 6M●5SK



Panel cut-out



Pre-assembled and pre-cabled tower lights

b Without buzzer (mm)	b1 With buzzer (mm)		No. of illuminated units	b With or without buzzer (mm)	
	XVC 6B●5S	XVC 6M●, XVC 6M●5S		XVC 6B●K, XVC 6B●5SK	XVC 6M●K, XVC 6M●5SK
428.3	483.1	599.8	1 stage	120.8	232
468.3	523.1	639.8	2 stages	160.8	272
508.3	563.1	679.8	3 stages	200.8	312
548.3	603.1	719.8	4 stages	240.8	352
588.3	643.1	759.8	5 stages	280.8	392

Mounting on horizontal support

For XVC 6●● / 6●●5S

Fixing plate XVC Z12 for XVC 6●●K / 6●●5SK

Wall mounting bracket XVC Z32 for XVC 6●● / 6●●5S

Longitudinal holes Ø 4.2 x 5.



(continued)

Signalling solutions

Monolithic tower lights

Harmony type XVC Ø 100 mm

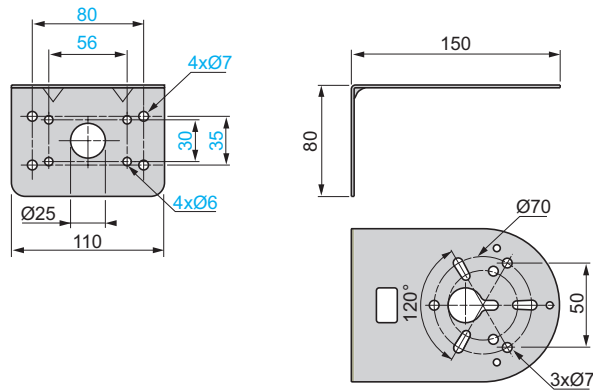
Pre-assembled and pre-cabled tower lights

Pre-assembled and pre-cabled tower lights Ø 100 mm

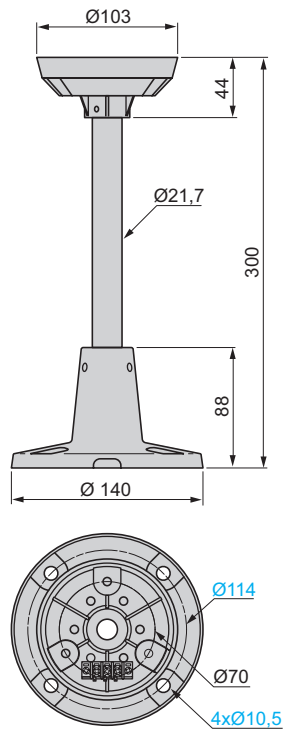
Horizontal support (direct or with fixing plate)

Tower lights

XVC Z23 fixing plate



XVC Z13 fixing plate



Pre-assembled and pre-cabled

b (mm)

216

...S (continued)

Signalling solutions

Monolithic tower lights

Harmony type XVC Ø 100 mm

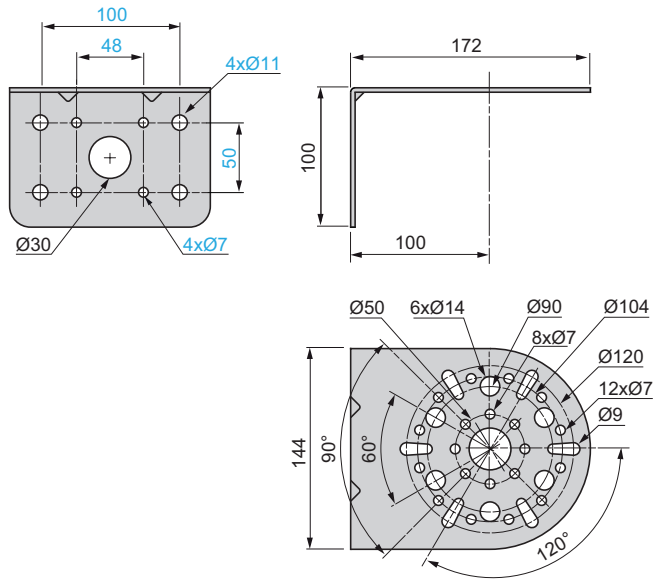
Pre-assembled and pre-cabled tower lights

... and pre-cabled tower lights Ø 100 mm with siren

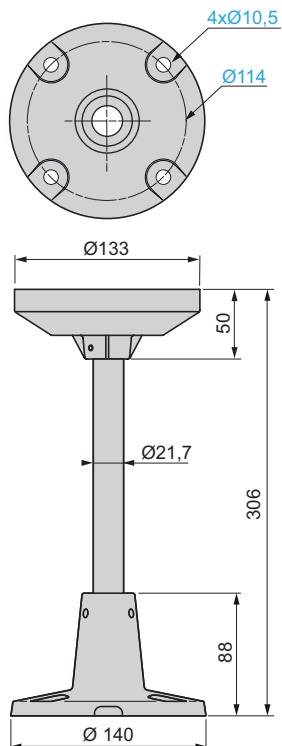
... horizontal support (direct or with fixing plate)

... ts

XVC Z24 fixing plate



XVC Z14 fixing plate



4

... mbled and pre-cabled

Signalling solutions

Modular tower lights

Harmony type XVM Ø 45 mm

Pre-assembled/pre-cabled tower lights and tower lights for customer assembly



Pre-assembled and pre-cabled, tower lights, each one fitted with a buzzer

Presentation

Ø 45 mm tower lights XVM are available in 2 forms:

- **Pre-assembled and pre-cabled** by Schneider Electric.

The tower lights are supplied:

- with 1, 2, 3 or 4 illuminated signalling units,
- with or without buzzer,
- fitted with a fixing base for mounting on a vertical support (only one support possible) or an horizontal support (2 types of support available).

Pre-assembled and pre-cabled Ø 45 mm tower lights XVM cannot be modified due to the wiring.

- And as separate components (all catalogued) **for customer assembly** of variable composition units to meet particular requirements.

Light signalling

5 catalogued lens unit colours available: red, orange, green, clear and blue.

These illuminated units incorporate a BA 15d base that can be fitted (by simple 15° rotation) with the choice of light source:

- 1 incandescent bulb,
- 1 "Super Bright" LED, or
- 1 "flash" discharge tube.

These 3 types of light source enable:

- steady light signalling using an incandescent bulb or an LED (1),
- flashing light signalling using an LED,
- "flash" light signalling using a "flash" discharge tube.

(1) A flashing function can also be obtained from a steady light LED by using a PLC output signal.

Audible signalling

The tower light is supplied with or without an audible (buzzer) unit depending on the configuration required. The buzzer is housed in the base unit of the tower light.

- There is also a potentiometer in the base unit for adjusting the volume of the audible signal, up to a value of 85 decibels.
- A selector enables the choice of signalling: continuous or intermittent tone.

Modularity

■ Tower lights XVM can also be assembled by the customer using separate components, all of which are catalogue listed:

- either 5 illuminated units maximum, or
- a base unit with buzzer and 4 illuminated units.

■ The light sources (incandescent bulb, Super Bright LED or "flash" discharge tube) are interchangeable. This enables, for example, the replacement of incandescent bulbs initially fitted in a tower light by LEDs (longer service life) in order to reduce maintenance operations. The current consumption of LEDs is very low and consequently, their usage has a definite effect on the reduction of power consumption.

■ The illuminated units easily fit together and electrical connections are made automatically.

■ Connections in the base unit for customer assembled indicator banks are made to a screw terminal block.

Cabling

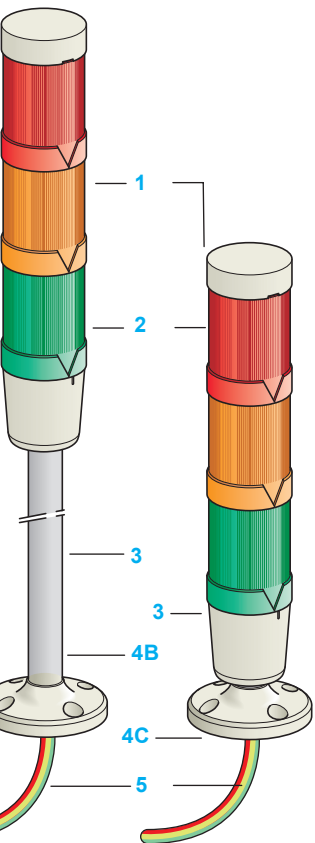
Tower lights XVM supplied pre-assembled feature referenced wires with a wiring instructions label. Each signalling unit of the tower light is identified by a different wire colour.

Signalling solutions

Modular tower lights

Harmony type XVM Ø 45 mm

Pre-assembled/pre-cabled tower lights and tower lights for customer assembly



Description

Pre-assembled and pre-cabled tower lights

The pre-assembled XVM indicator banks comprise:

- 1 A cover.
- 2 One, two, three or four coloured illuminated units (red, orange, green or blue). Each illuminated unit is fitted with an incandescent bulb, a base mounted Super Bright LED with integrated light diffuser or a "flash" discharge tube, depending on the catalogued model selected.
- 3 A base unit integrating the buzzer (depending on model).
- 4 A fixing base for mounting on a vertical or horizontal support (depending on model).
- 5 300 mm flying lead connections, each wire identified.

3 types of fixations are proposed:

- 4A A fixing base, comprising a 250 mm aluminium tube mounted on a bracket, for mounting on a vertical support.
- 4B A fixing base, comprising a 250 mm aluminium tube mounted on a plastic bracket, for mounting on an horizontal support.
- 4C A plastic fixing plate for direct mounting on the base unit.

4

Customer assembled tower lights

The customised composition of XVM tower lights is obtained by assembling:

- 1 A cover and a base unit, with or without integral buzzer.
- 2 5 illuminated units maximum (1), red, orange, green, blue or clear lens (light source not included).

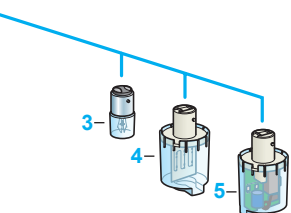
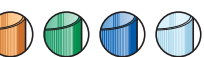
Each illuminated unit can be fitted with either:

- 3 an incandescent bulb,
- 4 a base mounted Super Bright LED with integrated light diffuser, or
- 5 a "flash" discharge tube.

Base mounted LEDs and "flash" discharge tubes can be fitted or removed without using a tool.

The assembly detailed above mounts on either:

- 6 an aluminium support tube (length 100, 250 or 400 mm) mounted on a fixing bracket,
- 7 an aluminium support tube (length 100, 250 or 400 mm) mounted on a plastic fixing plate,



Signalling solutions

Modular tower lights

Harmony type XVM Ø 45 mm

Pre-assembled/pre-cabled tower lights and tower lights for customer assembly

Conforming to IEC 60529		IP 54 in horizontal position (XVM with plastic fixing base)
		IP 42 in vertical position (XVM with metal bracket)
		IP 40 in other positions (all types of XVM tower lights)
		CCC
		CE
		EN/IEC 60947-1, EN/IEC 60947-5-1
For storage	°C	- 25...+ 70
For operation	°C	- 10...+ 50
Mounted on aluminium support tube		Class I
Mounted on base		Class II
		Standard version "TC"
Fuse to be connected in series on common	A	0.2 (~ 120...230 V)

		Incandescent bulbs	Super Bright LEDs		"Flash" discharge tube, 0.8 Joule	
			Steady light signalling	Flashing light signalling		
Ui)	Conforming to EN/IEC 60947-1	V	250			
	Conforming to IEC 60947-5-1		0.85...1.10 Un			
	For mounting in BA 15d base, push-and-turn (15°)		BA 15d base fitting			
	On ~ 24 V	mA	5 W max.	43	45	140 (on ~) 98 (on ---)
	On ~ 120 V	mA	5 W max.	16	16	33
	On ~ 230 V	mA	5 W max.	15	15	20
	Conforming to EN/IEC 60947-1	kV	Uimp = 4			
	Average value for all colours	cds/m²	650	900	900	–
	Nominal value	Hz	–	–	1	0.8

ted with buzzer)			
	On ~ 24 V	mA	65
	On ~ 120 V	mA	45
	On ~ 230 V	mA	30
	Continuous or intermittent tone	dB	0...85 at 1 m
	Fundamental frequency	kHz	4 for continuous tone

d and audible units		
		<ul style="list-style-type: none"> <input type="checkbox"/> 1 terminal referenced N: common to all 5 units, including base unit fitted with buzzer <input type="checkbox"/> 1 terminal referenced B: for base unit fitted with buzzer <input type="checkbox"/> 4 terminals referenced 1 - 2 - 3 - 4: for 4 illuminated units mounted on base unit fitted with buzzer <input type="checkbox"/> 5 terminals referenced 1 - 2 - 3 - 4 - 5: for 5 illuminated units mounted on base unit

Signalling solutions

Modular tower lights

Harmony type XVM Ø 45 mm

Pre-assembled/pre-cabled tower lights

Pre-assembled and pre-cabled tower lights with one illuminated unit							
Description	Light source (included)	Voltage (V)	Signalling colour (1)			Reference	Weight kg
			Steady	Flashing	"Flash"		
With fixing base for mounting on horizontal support (plastic fixing plate)							
Without buzzer	Super Bright LED With integral light diffuser	≈ 24	R	–	–	XVM B2RWSB	0.210
		~ 120	R	–	–	XVM G2RWSB	0.210
		~ 230	R	–	–	XVM M2RWSB	0.210
With buzzer integrated in base unit	Super Bright LED With integral light diffuser	≈ 24	R	–	–	XVM B2RSWSB	0.210
		~ 120	R	–	–	XVM G2RSWSB	0.210
		~ 230	R	–	–	XVM M2RSWSB	0.210
With fixing base for mounting on horizontal support (250 mm aluminium support tube + plastic fixing plate)							
Without buzzer	Super Bright LED With integral light diffuser	≈ 24	R	–	–	XVM B2RHSB	0.260
		~ 120	R	–	–	XVM G2RHSB	0.260
		~ 230	R	–	–	XVM M2RHSB	0.260
With buzzer integrated in base unit	Super Bright LED With integral light diffuser	≈ 24	R	–	–	XVM B2RSHSB	0.260
		~ 120	R	–	–	XVM G2RSHSB	0.260
		~ 230	R	–	–	XVM M2RSHSB	0.260
With fixing base for mounting on vertical support (250 mm aluminium support tube + metal bracket)							
Without buzzer	Super Bright LED With integral light diffuser	≈ 24	R	–	–	XVM B2RSB	0.360
		~ 120	R	–	–	XVM G2RSB	0.360
		~ 230	R	–	–	XVM M2RSB	0.360
With buzzer integrated in base unit	Super Bright LED With integral light diffuser	≈ 24	R	–	–	XVM B2RSSB	0.360
		~ 120	R	–	–	XVM G2RSSB	0.360
		~ 230	R	–	–	XVM M2RSSB	0.360

(continued)

Signalling solutions

Modular tower lights

Harmony type XVM Ø 45 mm

Pre-assembled/pre-cabled tower lights

Pre-assembled and pre-cabled tower lights with two illuminated units								
Description	Light source (included)	Voltage (V)	Signalling colour (1)			Reference (2)	Weight kg	
			Steady	Flashing	"Flash"			
With fixing base for mounting on horizontal support (plastic fixing plate)								
Without buzzer	Super Bright LED With integral light diffuser	~ 24	R-O	-	-	XVM B2RAWSB	0.270	
		~ 120	R-O	-	-	XVM G2RAWSB	0.270	
		~ 230	R-O	-	-	XVM M2RAWSB	0.270	
With buzzer integrated in base unit	Super Bright LED With integral light diffuser	~ 24	R-O	-	-	XVM B2RASWSB	0.270	
		~ 120	R-O	-	-	XVM G2RASWSB	0.270	
		~ 230	R-O	-	-	XVM M2RASWSB	0.270	
With fixing base for mounting on vertical support (250 mm aluminium support tube + metal bracket)								
Without buzzer	Incandescent bulb, 5 W	~ 24	R-O	-	-	XVM B1RA	0.420	
			R-G	-	-	XVM B1RG	0.420	
		~ 120	R-O	-	-	XVM G1RA	0.420	
			R-G	-	-	XVM G1RG	0.420	
		~ 230	R-O	-	-	XVM M1RA	0.420	
			R-G	-	-	XVM M1RG	0.420	
		Super Bright LED With integral light diffuser	~ 24	R-O	-	-	XVM B2RASB	0.420
				R-G	-	-	XVM B2RGSB	0.420
				G	R	-	XVM B2R5GSB	0.420
				R	O	-	XVM B2RA5SB	0.420
			~ 120	-	R-O	-	XVM B2R5A5SB	0.420
				R-O	-	-	XVM G2RASB	0.420
	R-G			-	-	XVM G2RGSB	0.420	
	G			R	-	XVM G2R5GSB	0.420	
	~ 230		R	O	-	XVM G2RA5SB	0.420	
			-	R-O	-	XVM G2R5A5SB	0.420	
			R-O	-	-	XVM M2RASB	0.420	
			R-G	-	-	XVM M2RGSB	0.420	
	With buzzer integrated in base unit	Incandescent bulb, 5 W	~ 24	R-O	-	-	XVM B1RAS	0.420
				R-G	-	-	XVM B1RGS	0.420
			~ 120	R-O	-	-	XVM G1RAS	0.420
				R-G	-	-	XVM G1RGS	0.420
			~ 230	R-O	-	-	XVM M1RAS	0.420
				R-G	-	-	XVM M1RGS	0.420
Super Bright LED With integral light diffuser		~ 24	R-O	-	-	XVM B2RASSB	0.420	
			R-G	-	-	XVM B2RGSSB	0.420	
			G	R	-	XVM B2R5GSSB	0.420	
			R	O	-	XVM B2RA5SSB	0.420	
		~ 120	-	R-O	-	XVM B2R5A5SSB	0.420	
			R-O	-	-	XVM G2RASSB	0.420	
~ 230	R-G	-	-	XVM G2RGSSB	0.420			
	G	R	-	XVM G2R5GSSB	0.420			
	R	O	-	XVM G2RA5SSB	0.420			
	-	R-O	-	XVM G2R5A5SSB	0.420			
	R-O	-	-	XVM M2RASSB	0.420			
	R-G	-	-	XVM M2RGSSB	0.420			
			G	R	-	XVM M2R5GSSB	0.420	
			R	O	-	XVM M2RA5SSB	0.420	

Signalling solutions

Modular tower lights

Harmony type XVM Ø 45 mm

Pre-assembled/pre-cabled tower lights

Pre-assembled and pre-cabled tower lights with two illuminated units (continued)

Description	Light source (included)	Voltage (V)	Signalling colour (1)			Reference (2)	Weight kg
			Steady	Flashing	"Flash"		
With fixing base for mounting on horizontal support (250 mm aluminium support tube + plastic fixing plate)							
Without buzzer	Super Bright LED With integral light diffuser	≈ 24	R-O	–	–	XVM B2RAHSB	0.320
			R-G	–	–	XVM B2RGHSB	0.320
		~ 120	R-O	–	–	XVM G2RAHSB	0.320
			R-G	–	–	XVM G2RGHSB	0.320
		~ 230	R-O	–	–	XVM M2RAHSB	0.320
			R-G	–	–	XVM M2RGHSB	0.320
With buzzer integrated in base unit	Super Bright LED With integral light diffuser	≈ 24	R-O	–	–	XVM B2RASHSB	0.320
			R-G	–	–	XVM B2RGSHSB	0.320
		~ 120	R-O	–	–	XVM G2RASHSB	0.320
			R-G	–	–	XVM G2RGSHSB	0.320
		~ 230	R-O	–	–	XVM M2RASHSB	0.320
			R-G	–	–	XVM M2RGSHSB	0.320

Pre-assembled and pre-cabled tower lights with three illuminated units

Description	Light source (included)	Voltage (V)	Signalling colour (1)			Reference (2)	Weight kg
			Steady	Flashing	"Flash"		
With fixing base for mounting on horizontal support (plastic fixing plate)							
Without buzzer	Super Bright LED With integral light diffuser	≈ 24	R-O-G	–	–	XVM B2RAGWSB	0.320
		~ 120	R-O-G	–	–	XVM G2RAGWSB	0.320
		~ 230	R-O-G	–	–	XVM M2RAGWSB	0.320
With buzzer integrated in base unit	Super Bright LED With integral light diffuser	≈ 24	R-O-G	–	–	XVM B2RAGWSB	0.320
		~ 120	R-O-G	–	–	XVM G2RAGWSB	0.320
		~ 230	R-O-G	–	–	XVM M2RAGWSB	0.320
With fixing base for mounting on horizontal support (250 mm aluminium support tube + plastic fixing plate)							
Without buzzer	Super Bright LED With integral light diffuser	≈ 24	R-O-G	–	–	XVM B2RAGHSB	0.380
			R-G	O	–	XVM B2RA5GHSB	0.380
		~ 120	R-O-G	–	–	XVM G2RAGHSB	0.380
			R-G	O	–	XVM G2RA5GHSB	0.380
		~ 230	R-O-G	–	–	XVM M2RAGHSB	0.380
			R-G	O	–	XVM M2RA5GHSB	0.380
With buzzer integrated in base unit	Super Bright LED With integral light diffuser	≈ 24	R-O-G	–	–	XVM B2RAGSHSB	0.380
		R-G	O	–	XVM B2RA5GSHSB	0.380	
		~ 120	R-O-G	–	–	XVM G2RAGSHSB	0.380

(continued)

Signalling solutions

Modular tower lights

Harmony type XVM Ø 45 mm

Pre-assembled/pre-cabled tower lights

Pre-assembled and pre-cabled tower lights with three illuminated units (continued)								
Description	Light source (included)	Voltage (V)	Signalling colour (1)			Reference (2)	Weight kg	
			Steady	Flashing	“Flash”			
With fixing base for mounting on vertical support (250 mm aluminium support tube + metal bracket)								
Without buzzer	Incandescent bulb, 5 W	~ 24	R-O-G	–	–	XVM B1RAG	0.480	
			O-G	–	R	XVM B1R6AG	0.480	
		~ 120	R-O-G	–	–	XVM G1RAG	0.480	
			O-G	–	R	XVM G1R6AG	0.480	
		~ 230	R-O-G	–	–	XVM M1RAG	0.480	
			O-G	–	R	XVM M1R6AG	0.480	
	Super Bright LED with integral light diffuser	~ 24	R-O-G	–	–	XVM B2RAGSB	0.480	
			O-G	–	R	XVM B2R6AGSB	0.480	
			R-G	O	–	XVM B2RA5GSB	0.480	
			G	R-O	–	XVM B2R5A5GSB	0.480	
			G	O	R	XVM B2R6A5GSB	0.480	
		~ 120	R-O-G	–	–	XVM G2RAGSB	0.480	
			O-G	–	R	XVM G2R6AGSB	0.480	
			R-G	O	–	XVM G2RA5GSB	0.480	
			G	R-O	–	XVM G2R5A5GSB	0.480	
		~ 230	G	O	R	XVM G2R6A5GSB	0.480	
			R-O-G	–	–	XVM M2RAGSB	0.480	
			O-G	–	R	XVM M2R6AGSB	0.480	
~ 230	R-G	O	–	XVM M2RA5GSB	0.480			
	G	R-O	–	XVM M2R5A5GSB	0.480			
	G	O	R	XVM M2R6A5GSB	0.480			
	With buzzer integrated in base unit	Incandescent bulb, 5 W	~ 24	R-O-G	–	–	XVM B1RAGS	0.480
				O-G	–	R	XVM B1R6AGS	0.480
~ 120			R-O-G	–	–	XVM G1RAGS	0.480	
			O-G	–	R	XVM G1R6AGS	0.480	
~ 230			R-O-G	–	–	XVM M1RAGS	0.480	
			O-G	–	R	XVM M1R6AGS	0.480	
Super Bright LED with integral light diffuser		~ 24	R-O-G	–	–	XVM B2RAGSSB	0.480	
			O-G	–	R	XVM B2R6AGSSB	0.480	
			R-G	O	–	XVM B2RA5GSSB	0.480	
			G	R-O	–	XVM B2R5A5GSSB	0.480	
			G	O	R	XVM B2R6A5GSSB	0.480	
		~ 120	R-O-G	–	–	XVM G2RAGSSB	0.480	
			O-G	–	R	XVM G2R6AGSSB	0.480	
			R-G	O	–	XVM G2RA5GSSB	0.480	
			G	R-O	–	XVM G2R5A5GSSB	0.480	
		~ 230	G	O	R	XVM G2R6A5GSSB	0.480	
			R-O-G	–	–	XVM M2RAGSSB	0.480	
			O-G	–	R	XVM M2R6AGSSB	0.480	
~ 230	R-G	O	–	XVM M2RA5GSSB	0.480			
	G	R-O	–	XVM M2R5A5GSSB	0.480			
	G	O	R	XVM M2R6A5GSSB	0.480			

(1) Signalling colour: R: red; O: orange; G: green.

S (continued)

Signalling solutions

Modular tower lights

Harmony type XVM Ø 45 mm

Pre-assembled/pre-cabled tower lights

Pre-assembled and pre-cabled tower lights with four illuminated units								
Description	Light source (included)	Voltage (V)	Signalling colour (1)			Reference (2)	Weight kg	
			Steady	Flashing	"Flash"			
With fixing base for mounting on horizontal support (plastic fixing plate)								
Without buzzer	Super Bright LED With integral light diffuser	~ 24	R-O-G-B	-	-	XVM B2RAGBWSB	0.390	
		~ 120	R-O-G-B	-	-	XVM G2RAGBWSB	0.390	
		~ 230	R-O-G-B	-	-	XVM M2RAGBWSB	0.390	
With buzzer integrated in base unit	Super Bright LED With integral light diffuser	~ 24	R-O-G-B	-	-	XVM B2RAGBSWSB	0.390	
		~ 120	R-O-G-B	-	-	XVM G2RAGBSWSB	0.390	
		~ 230	R-O-G-B	-	-	XVM M2RAGBSWSB	0.390	
With fixing base for mounting on horizontal support (250 mm aluminium support tube + plastic fixing plate)								
Without buzzer	Super Bright LED With integral light diffuser	~ 24	R-O-G-B	-	-	XVM B2RAGBHSB	0.440	
		~ 120	R-O-G-B	-	-	XVM G2RAGBHSB	0.440	
		~ 230	R-O-G-B	-	-	XVM M2RAGBHSB	0.440	
With buzzer integrated in base unit	Super Bright LED With integral light diffuser	~ 24	R-O-G-B	-	-	XVM B2RAGBSHSB	0.440	
		~ 120	R-O-G-B	-	-	XVM G2RAGBSHSB	0.440	
		~ 230	R-O-G-B	-	-	XVM M2RAGBSHSB	0.440	
With fixing base for mounting on vertical support (250 mm aluminium support tube + metal bracket)								
Without buzzer	Incandescent bulb, 5 W	~ 24	R-O-G-B	-	-	XVM B1RAGB	0.540	
		~ 120	R-O-G-B	-	-	XVM G1RAGB	0.540	
		~ 230	R-O-G-B	-	-	XVM M1RAGB	0.540	
	Super Bright LED With integral light diffuser	~ 24	R-O-G-B	-	-	XVM B2RAGBSB	0.540	
		~ 120	R-O-G-B	-	-	XVM G2RAGBSB	0.540	
		~ 230	R-O-G-B	-	-	XVM M2RAGBSB	0.540	
	With buzzer integrated in base unit	Incandescent bulb, 5 W	~ 24	R-O-G-B	-	-	XVM B1RAGBS	0.540
			~ 120	R-O-G-B	-	-	XVM G1RAGBS	0.540
			~ 230	R-O-G-B	-	-	XVM M1RAGBS	0.540
Super Bright LED With integral light diffuser		~ 24	R-O-G-B	-	-	XVM B2RAGBSSB	0.540	
		~ 120	R-O-G-B	-	-	XVM G2RAGBSSB	0.540	
		~ 230	R-O-G-B	-	-	XVM M2RAGBSSB	0.540	

(continued)

Signalling solutions

Modular tower lights

Harmony type XVM Ø 45 mm

Tower lights for customer assembly

Customer assembled tower lights					
Description	Details	Voltage V	Colour	Reference	Weight kg
Illuminated units					
Lens units only for BA 15d base fitting bulb	Bulb not included, 5 W max.	Up to ~ 230	Green	XVM C33	0.040
			Red	XVM C34	0.040
			Orange	XVM C35	0.040
			Blue	XVM C36	0.040
			Clear	XVM C37	0.040
Base mounting units					
Base unit and cover	Base unit without buzzer	–	White	XVM C21	0.100
		~ 24	White	XVM C29B	0.100
		~ 120	White	XVM C29G	0.100
		~ 230	White	XVM C29M	0.100
Base unit and cover + fixing base (250 mm support tube + bracket)	Base unit without buzzer	–	White	XVM C213T	0.300
		~ 24	White	XVM C29B3T	0.300
		~ 120	White	XVM C29G3T	0.300
		~ 230	White	XVM C29M3T	0.300
Fixing bases					
Ø 20 mm aluminium support tube + plastic fixing plate	100	106	White	XVM Z02	0.100
	250	256	White	XVM Z03	0.100
	400	406	White	XVM Z04	0.200
Ø 20 mm aluminium support tube + metal bracket	100	113	–	XVM Z02T	0.200
	250	263	–	XVM Z03T	0.200
	400	413	–	XVM Z04T	0.300
Plastic fixing plate	–	–	White	XVM Z06	0.300

S (continued)

Signalling solutions

Modular tower lights

Harmony type XVM Ø 45 mm

Tower lights for customer assembly

Customer assembled tower lights (continued)

Light sources for lens units (1)

Description	Signalling	Sold in lots of	Voltage V	Colour	Unit reference	Weight kg
Incandescent bulbs, 5 W	Steady light	10	~ 24	–	DL1 EDBS	0.007
			~ 120	–	DL1 EDGS	0.007
			~ 230	–	DL1 EDMS	0.007
Super Bright LEDs with integral light diffuser	<input type="checkbox"/> Steady light: replace the ● by D in the references shown on the right.	1	~ 24	White	DL2 E●B1SB	0.020
				Green	DL2 E●B3SB	0.020
				Red	DL2 E●B4SB	0.020
				Blue	DL2 E●B6SB	0.020
				Orange	DL2 E●B8SB	0.020
	<input type="checkbox"/> Flashing light: replace the ● by K in the references shown on the right.	1	~ 120	White	DL2 E●G1SB	0.020
				Green	DL2 E●G3SB	0.020
				Red	DL2 E●G4SB	0.020
				Blue	DL2 E●G6SB	0.020
				Orange	DL2 E●G8SB	0.020
	<input type="checkbox"/> Flashing light: replace the ● by K in the references shown on the right.	1	~ 230	White	DL2 E●M1SB	0.020
				Green	DL2 E●M3SB	0.020
				Red	DL2 E●M4SB	0.020
				Blue	DL2 E●M6SB	0.020
				Orange	DL2 E●M8SB	0.020
"Flash" discharge tubes, 0.8 Joule	"Flash"	1	~ 24	–	DL6 BB	0.022
			~ 120	–	DL6 BG	0.022
			~ 230	–	DL6 BM	0.022

4

(1) All light sources are push-and-turn (15°) mounting in a BA 15d base within the illuminated units.

Accessories for pre-assembled/pre-cabled and customer assembled tower lights

Description	Details	Reference	Weight kg
Cover only	White	XVM Z081	–
Mounting tool	For fitting and removal of incandescent bulbs type DL1	ZBZ X13	–

Signalling solutions

Modular tower lights

Harmony type XVM Ø 45 mm

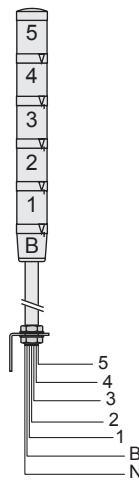
Tower lights for customer assembly

Modular tower lights

- 1 Cover
- 2 Illuminated unit
- 3 Base unit (with or without buzzer)
- 4 Fixing base (see below)

Number of illuminated units (ref. 2)	b (mm)
1	127
2	192
3	257
4	322
5	387

Connecting scheme



Indicator bank with buzzer
 (4 illuminated units max.)
 4: 4th illuminated unit (yellow wire)
 3: 3rd illuminated unit (green wire)
 2: 2nd illuminated unit (white wire)
 1: 1st illuminated unit (blue wire)
 N: common (black wire)
 B: Buzzer (grey wire)

Indicator bank without buzzer
 5: 5th illuminated unit (red wire)
 4: 4th illuminated unit (yellow wire)
 3: 3rd illuminated unit (green wire)
 2: 2nd illuminated unit (white wire)
 1: 1st illuminated unit (blue wire)
 N: common (black wire)

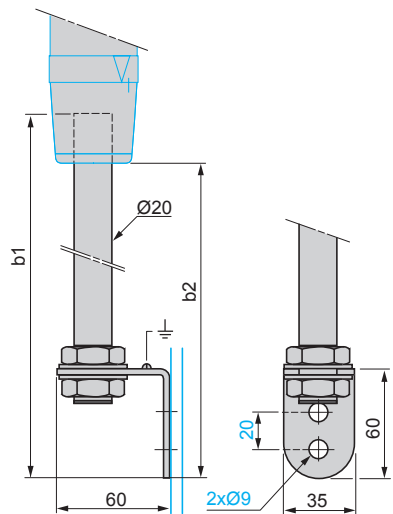
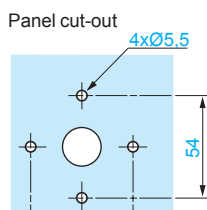
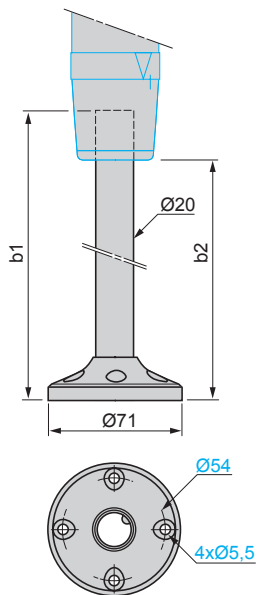
Maximum capacity for wiring through support tube:
 6 wires x 1 mm²
 5 wires x 1.5 mm²



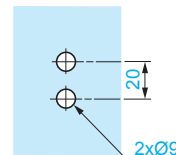
Mounting on horizontal support

XVM Z0●, for mounting on horizontal support

XVM Z0●T, for mounting on vertical support



Panel cut-out



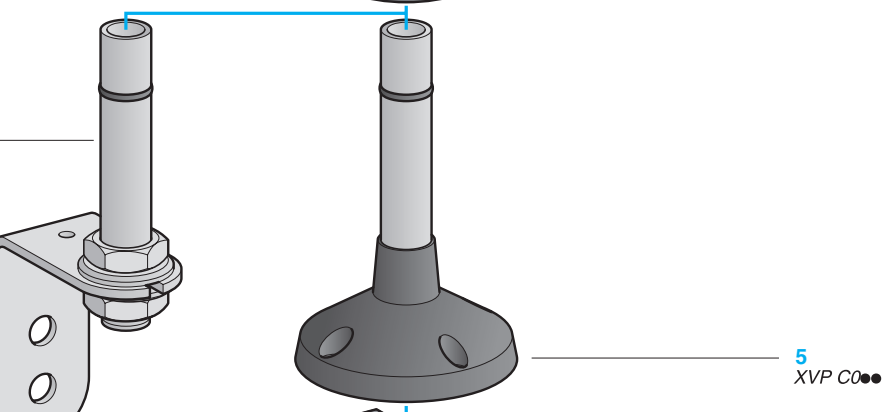
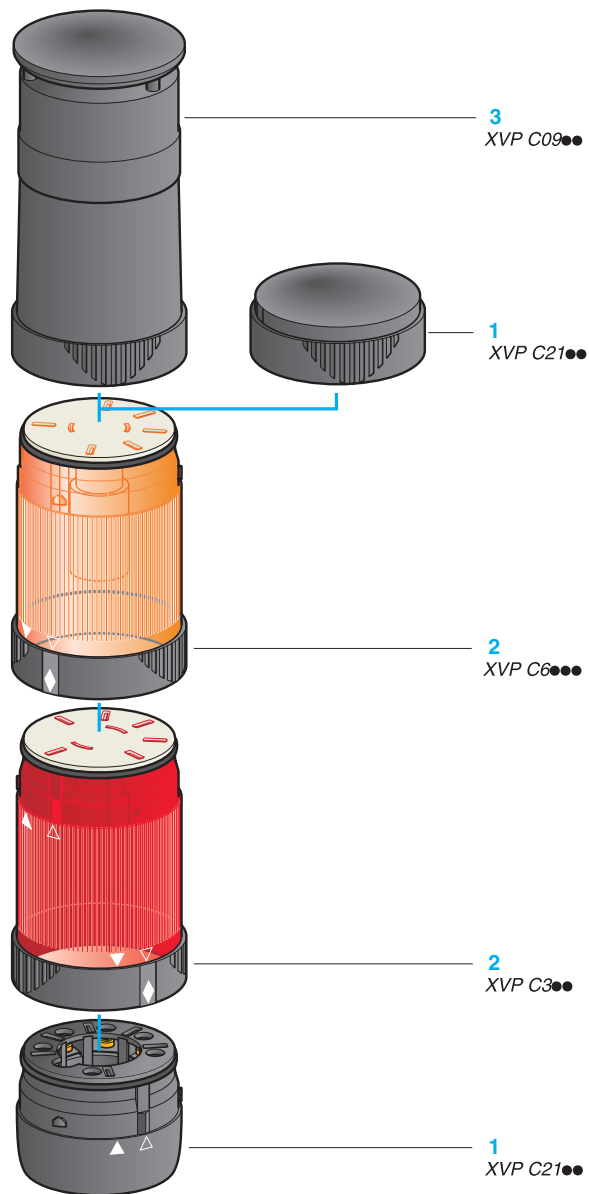
7

Signalling solutions

Modular tower lights

Harmony type XVP C Ø 50 mm

Tower lights for customer assembly (up to 5 units)



Signalling solutions

Modular tower lights

Harmony type XVP C Ø 50 mm

Tower lights for customer assembly (up to 5 units)

Tower lights XVP C are visual or audible signalling units for indicating, throughout 360° and at a distance, the various states or operation sequences of a machine or installation.

Their reduced diameter (50 mm) makes them particularly suitable for use on small equipment.

In addition, the availability of two versions (aesthetic black or cream), makes them ideal for use in all sectors of activity: light industry, electronic, tertiary sector, food/drink processing.

The tower light

Customer assembled product

Variable composition assembly of illuminated and audible units which are supplied as separate items (assembly by user).

The tower light comprises:

- 1 a base unit with bottom cable entry, a cover for the top unit,
- 2 1 to 5 illuminated units with steady, flashing or "flash" light signalling (colours: green, red, orange, blue, clear or yellow).
- 3 or 1 audible unit (always mounted at the top of the bank) + 4 illuminated units.

- The illuminated or audible units stack vertically and are easily locked and unlocked using an integral clamping ring. Electrical connections between each unit are made automatically.

- For tower lights XVP C, several illuminated "flash" units can be mounted.

- The flashing illuminated units are only available in the LED version and incorporate BA 15d base mounted flashing LEDs.

Accessories

- 4 Threaded aluminium support tube with fixing bracket, for heights beneath the base unit of 77, 227 or 377 mm.
- 5 Aluminium support tube with integral black or cream fixing base, for heights beneath the base unit of 89, 237 or 387 mm, for direct mounting on the machine or on a vertical support 6.

Installation

Mounting

- Base unit fixed directly onto panel, or
- using support tube with integral fixing base, or
- using threaded support tube with metal fixing bracket, or
- using support tube with integral fixing base, mounted on a fixing plate for use on a vertical support.

Cabling

By means of terminal block incorporated in base unit. The screw and captive cable clamp terminals are protected to prevent any accidental contact with live parts. Cream coloured base units are available for use with eyelet tags.

Signalling solutions

Modular tower lights

Harmony type XVP C Ø 50 mm

Tower lights for customer assembly (up to 5 units)

Characteristics		
Standard version		CSA, CE marking, cULus
		EN/IEC 60947-5-1
Standard version		"TC"
Storage	°C	- 40...+ 70
Operation	Illuminated units with steady light signalling	°C - 25...+ 50 with 7 W incandescent bulb - 25...+ 50 with LED
	Illuminated "flash" units (discharge tube) Audible units	°C - 25...+ 50
Mounted on support tube		Class I
Mounted on base unit		Class II
Conforming to IEC 60529		- IP 65 for illuminated units - IP 43 for audible units
Illuminated units		Polycarbonate and Polyamide
Base unit and cover		Acrylic Butadiene-Styrene + Polycarbonate and Polyamide
Support tube + fixing plate		Aluminium and Acrylic Butadiene-Styrene + Polycarbonate

Characteristics		
Conforming to EN/IEC 60947-1	V	250
Conforming to IEC 60947-5-1	V	0.85 to 1.10 Un (Un: nominal voltage)
Unit	Steady light signalling	mA \approx 24 V: < 47
		mA \sim 120 V: < 17
		mA \sim 230 V: < 17
	Flashing light signalling	mA \approx 24 V: < 47
mA \sim 120 V: < 17		
mA \sim 230 V: < 17		
Illuminated "flash" (discharge tube)	On power-up	mA \approx 24 V: \leq 100 mA \sim 120 V: \leq 20 mA \sim 230 V: \leq 11
	Audible units	mA \approx 24 V: \leq 15
		mA \sim 120 V: \leq 15
mA \sim 230 V: \leq 12		
Conforming to EN/IEC 60947-1	kV	U imp = 4
Illuminated units with steady or flashing signalling		LEDs: degree of pollution 2 Incandescent bulbs with BA 15d base fitting, maximum power 7 W
	Illuminated units with steady light signalling	cds
Illuminated "flash" units (discharge tube)	cds	1.2 (24 V) with clear lens unit (0.3 J tube), 5 (120...230 V) with clear lens unit (0.6 J tube)
Continuous or intermittent tone	dB	Adjustable: 85 \pm 3 max., 55 \pm 3 min. at 1 m
Fundamental frequency	kHz	10 adjustable levels
Common to all 5 units		1 terminal referenced -/C
Depending on number of units		1 or 5 terminals referenced +/1 to +/5
Minimum clamping capacity on protected, screw-to-tighten, screw and captive cable grip terminals	mm ²	1 x 1.5 with cable end
Illuminated "flash" units (discharge tube)	Hz	0.6...2

Signalling solutions

Modular tower lights

Harmony type XVP C Ø 50 mm

Tower lights for customer assembly (up to 5 units)

Illuminated units

530420



XVP C3W

Illuminated units with steady or flashing light signalling for BA 15d bulb or LED

Description	Light source, to be ordered separately	Colour	Reference	Weight kg
With black clamping ring	Incandescent bulb 7 W max. 250 V max. or LED	Green	XVP C33	0.100
		Red	XVP C34	0.100
		Orange	XVP C35	0.100
		Blue	XVP C36	0.100
		Clear	XVP C37	0.100
		Yellow	XVP C38	0.100
With cream clamping ring	Incandescent bulb 7 W max. 250 V max. or LED	Green	XVP C33W	0.100
		Red	XVP C34W	0.100
		Orange	XVP C35W	0.100
		Blue	XVP C36W	0.100
		Clear	XVP C37W	0.100
		Yellow	XVP C38W	0.100

BA 15d bulbs and LEDs

Description	Characteristics		Sold in lots of	Unit reference	Weight kg
Incandescent bulbs BA 15d base fitting	24 V	4 W	10	DL1 BEBS	0.090
	120 V	5 W	10	DL1 BEGS	0.090
	230 V	5 W	10	DL1 BEMS	0.090
	12 V	7 W	10	DL1 BEJ	0.090
	24 V	6.5 W	10	DL1 BEB	0.090
	48 V	6 W	10	DL1 BEE	0.090
	120 V	7 W	10	DL1 BEG	0.090
	230 V	7 W	10	DL1 BEM	0.090

LEDs BA 15d base fitting	~ 24 V	White	1	DL1 BDB1	0.015
		Green	1	DL1 BDB3	0.015
		Red	1	DL1 BDB4	0.015
		Orange	1	DL1 BDB5	0.015
		Blue	1	DL1 BDB6	0.015
		Yellow	1	DL1 BDB8	0.015
		~ 120 V	White	1	DL1 BDG1
	Green		1	DL1 BDG3	0.015
	Red		1	DL1 BDG4	0.015
	Orange		1	DL1 BDG5	0.015
	Blue		1	DL1 BDG6	0.015
	Yellow		1	DL1 BDG8	0.015

Protected LED	~ 230 V	White	1	DL1 BDM1	0.015
		Green	1	DL1 BDM3	0.015
		Red	1	DL1 BDM4	0.015
		Orange	1	DL1 BDM5	0.015
		Blue	1	DL1 BDM6	0.015
		Yellow	1	DL1 BDM8	0.015
		~ 120 V	White	1	DL1 BDK1
	Green		1	DL1 BDK3	0.015
	Red		1	DL1 BDK4	0.015
	Orange		1	DL1 BDK5	0.015
	Blue		1	DL1 BDK6	0.015
	Yellow		1	DL1 BDK8	0.015

Protected LED	~ 24 V	White	1	DL1 BKB1	0.015
		Green	1	DL1 BKB3	0.015
		Red	1	DL1 BKB4	0.015
		Orange	1	DL1 BKB5	0.015
		Blue	1	DL1 BKB6	0.015
		Yellow	1	DL1 BKB8	0.015
		~ 120 V	White	1	DL1 BKG1
	Green		1	DL1 BKG3	0.015
	Red		1	DL1 BKG4	0.015
	Orange		1	DL1 BKG5	0.015
	Blue		1	DL1 BKG6	0.015
	Yellow		1	DL1 BKG8	0.015

(continued)

Signalling solutions

Modular tower lights

Harmony type XVP C Ø 50 mm

Tower lights for customer assembly (up to 5 units)

Illuminated and audible units

Illuminated "flash" units with discharge tube

Description	Voltage	Colour	Reference	Weight kg	
With black clamping ring	"Flash" discharge tube (1 Joule) ~ 24 V	Green	XVP C6B3	0.120	
		Red	XVP C6B4	0.120	
		Orange	XVP C6B5	0.120	
		Blue	XVP C6B6	0.120	
		Clear	XVP C6B7	0.120	
		Yellow	XVP C6B8	0.120	
		"Flash" discharge tube (0.6 Joules) ~ 120 V	Green	XVP C6G3	0.115
			Red	XVP C6G4	0.115
	Orange		XVP C6G5	0.115	
	Blue		XVP C6G6	0.115	
	Clear		XVP C6G7	0.115	
	Yellow		XVP C6G8	0.115	
	"Flash" discharge tube (0.6 Joules) ~ 230 V		Green	XVP C6M3	0.115
		Red	XVP C6M4	0.115	
		Orange	XVP C6M5	0.115	
Blue		XVP C6M6	0.115		
Clear		XVP C6M7	0.115		
Yellow		XVP C6M8	0.115		
With cream clamping ring		"Flash" discharge tube (1 Joule) ~ 24 V	Green	XVP C6B3W	0.120
	Red		XVP C6B4W	0.120	
	Orange		XVP C6B5W	0.120	
	Blue		XVP C6B6W	0.120	
	Clear		XVP C6B7W	0.120	
	Yellow		XVP C6B8W	0.120	
	"Flash" discharge tube (0.6 Joules) ~ 120 V		Green	XVP C6G3W	0.115
			Red	XVP C6G4W	0.115
		Orange	XVP C6G5W	0.115	
		Blue	XVP C6G6W	0.115	
		Clear	XVP C6G7W	0.115	
		Yellow	XVP C6G8W	0.115	
		"Flash" discharge tube (0.6 Joules) ~ 230 V	Green	XVP C6M3W	0.115
	Red		XVP C6M4W	0.115	
	Orange		XVP C6M5W	0.115	
Blue	XVP C6M6W		0.115		
Clear	XVP C6M7W		0.115		
Yellow	XVP C6M8W		0.115		

Audible units

Description	Voltage	Colour	Reference	Weight kg
Buzzer, adjustable 55...85 dB at 1 m	~ 24 V	Black	XVP C09B	0.153
	~ 120 V	Black	XVP C09G	0.153
	~ 230 V	Black	XVP C09M	0.153
	~ 24 V	Cream	XVP C09BW	0.153
	~ 120 V	Cream	XVP C09GW	0.153
	~ 230 V	Cream	XVP C09MW	0.153

530424



XVP C6B3W

530426



XVP C09BW

Signalling solutions

Modular tower lights

Harmony type XVP C Ø 50 mm

Tower lights for customer assembly (up to 5 units)

Base units, covers and accessories

530427+530428



XVP C21W●

Base units

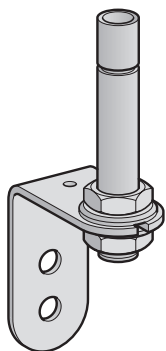
Base units for direct or tube fixing

Description	Colour	Reference	Weight kg
Base unit + cover for bared wires or wires with cable end	Black	XVP C21	0.125
	Cream	XVP C21W	0.125
Base unit + cover for eyelet tags	Cream	XVP C21WR	0.125

Accessories

Description	Height under base unit mm	Reference	Weight kg
Aluminium support tube with integral black fixing base	89	XVP C02	0.112
	237	XVP C03	0.173
	387	XVP C04	0.253
Aluminium support tube with integral cream fixing base	89	XVP C02W	0.112
	237	XVP C03W	0.173
	387	XVP C04W	0.253
Threaded aluminium support tube + stainless steel fixing bracket	77	XVP C02T	0.245
	227	XVP C03T	0.306
	377	XVP C04T	0.386

530430



XVP C0●T

4

Description	Application	Reference	Weight kg
Fixing plate for use on vertical support, black	For mounting XVP C0●● support tubes with integral fixing base	XVP C12	0.083
Fixing plate for use on vertical support, cream	For mounting XVP C0●● support tubes with integral fixing base	XVP C12W	0.083
Bulb mounting and removal tool	–	XVP CX13	0.015

Signalling solutions

Modular tower lights

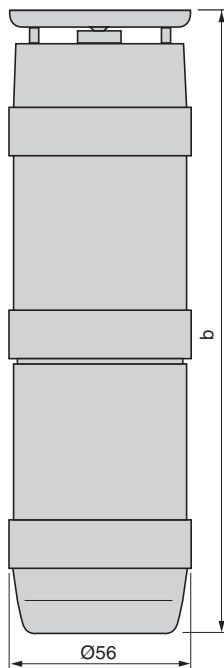
Harmony type XVP C Ø 50 mm

Tower lights for customer assembly (up to 5 units)

C●●●

Number of illuminated units	b
1	108
2	170
3	232
4	294
5	356

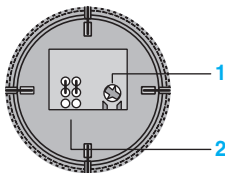
With audible unit



Number of units: Illuminated	+ Audible	b
0	+ 1	129
1	+ 1	194
2	+ 1	256
3	+ 1	318
4	+ 1	380

...xing (on base unit XVP C21●●)

Adjustment of audible signal for buzzers type XVP C09●



- 1 Volume adjustment potentiometer: 55...85 dB. Use either a cross headed or flat tipped screwdriver.
- 2 Adjustment of type of audible signal according to position of 2 links. Use flat-nose pliers.
- 3 10 configurations are possible, see table below. Factory set on position 5: continuous tone.

3	Position of links	Type of audible signal	Position of links	Type of audible signal
1			6	
2			7	
3			8	
4			9	

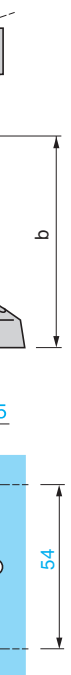
Signalling solutions

Modular tower lights

Harmony type XVP C Ø 50 mm

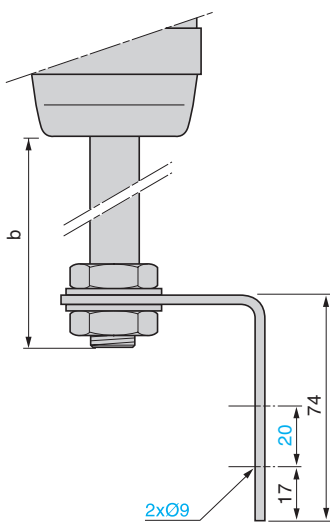
Tower lights for customer assembly (up to 5 units)

XVP C0●● with integral



Unit	b
	89
	237
	387

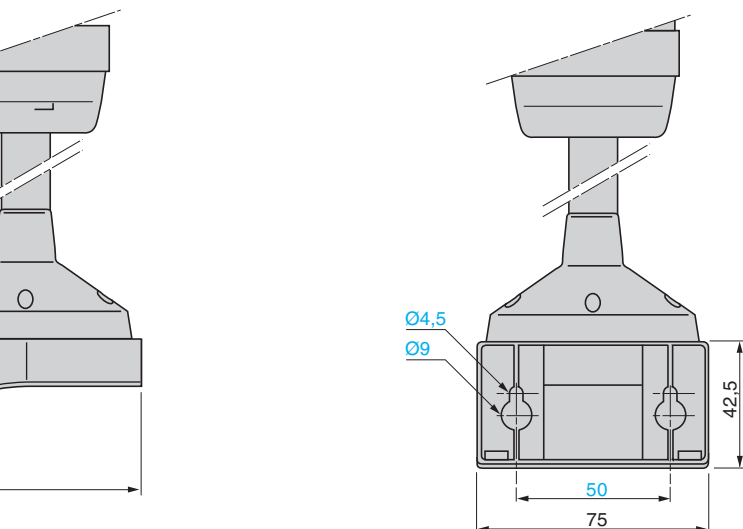
Threaded support tube XVP C0●T with metal fixing bracket



Height under base unit	b
XVP C02T	77
XVP C03T	227
XVP C04T	377

4

Fixing plate XVP C12● for use on a vertical support



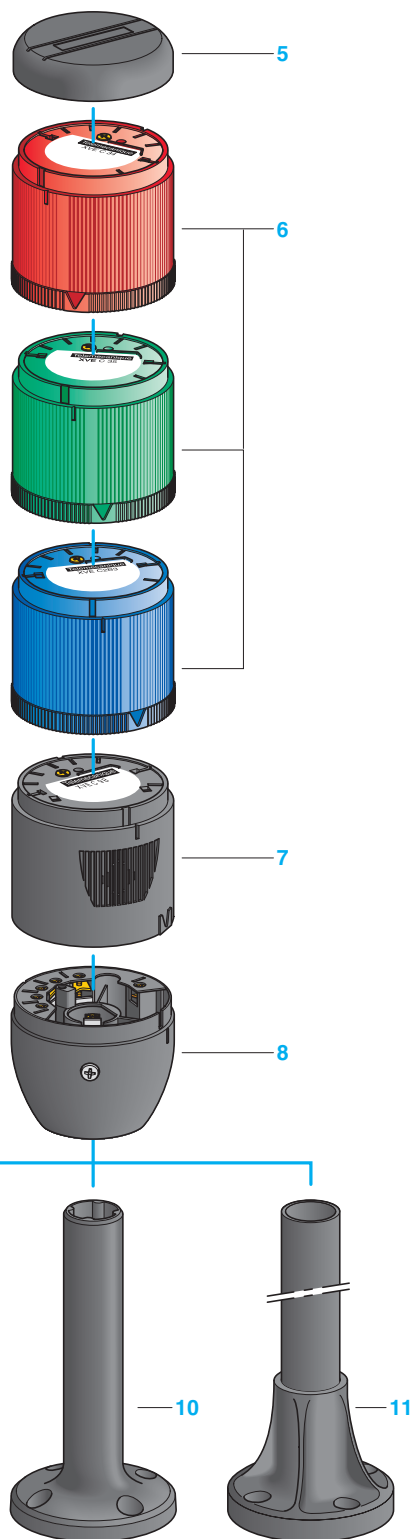
C0●● with integral fixing base must be

Signalling solutions

Modular tower lights

Harmony type XVE Ø 70 mm

Illuminated beacons, tower lights for customer assembly
(up to 5 units)



Description

Illuminated beacon

The illuminated beacon is a complete product comprising:

- 1 A screw fixing cover.
- 2 One coloured illuminated unit (green, red, orange, blue or clear).
- 3 A base unit with terminal block and bottom cable entry.
- 4 A monobloc fixing base for mounting on machine.

Tower light

The tower light is a customer assembled product using:

- 5 A cover.
- 6 1 to 5 coloured illuminated units (green, red, orange, blue or clear) with a choice of 3 types of signalling (steady, flashing or "flash").
- 7 1 audible unit.
- 8 A base unit (IP 42 or IP 54) with terminal block and bottom cable entry.
- 9 A plastic fixing base, 20 mm high.
- 10 A plastic fixing base, 100 mm high.
- 11 An aluminium support tube glued into a plastic fixing plate, for heights beneath the base unit of 80, 380 or 780 mm.

To be ordered separately:

- 12 Fixing plate for mounting on vertical support.

Signalling solutions

Modular tower lights

Harmony type XVE Ø 70 mm

Illuminated beacons, tower lights for customer assembly
(up to 5 units)

Presentation

The illuminated beacons and tower lights of the XVE range are designed for remote signalling of the status of a machine, equipment or specific application, either visually using illuminated units which are visible throughout 360° or audibly using an 85 dB buzzer.

The XVE range provides efficient signalling (5 colours available), at medium range distances (30 m), in both indoor and outdoor environments.

The standard configuration of the beacons and tower lights is an IP 42 degree of protection, which is sufficient for the majority of indoor applications.

Both the IP 42 pre-configured beacons and tower lights can be upgraded to IP 54 by using a sealing kit (1).

Depending on the tower light base unit selected, it is possible to achieve an IP 54 degree of protection for outdoor usage (1).

Composition

- The illuminated beacons are ready to use and incorporate a single steady or “flash” light illuminated unit and a short fixing base.
- The tower lights must be assembled by the user and comprise signalling units, mounted on a base unit, and a fixing base. These various items are to be selected from the catalogue.
 - For a tower light, a maximum of 5 illuminated units or 4 illuminated units + 1 audible unit can be assembled.
 - The illuminated or audible units stack vertically and are easily fitted together. A screw secures their mounting. Electrical connections between each unit are made automatically as the units are mechanically assembled.
 - All the signalling units are identical in size and their positioning is unrestricted.

4

Signalling functions

Steady light signalling

Two types of light source are available for steady light signalling:

- The incandescent BA 15d base fitting bulb, 5 W max. power, is recommended for infrequent usage and where no vibration or mechanical shock exists. The bulb is not included with the lens unit and must be fitted separately.
- LEDs are recommended for continuous usage: 100,000 operating hours without maintenance and low consumption. They have a good resistance to vibration. Using an LED of a colour best suited to the colour of the lens unit provides optimal luminosity.

Flashing light signalling

Flashing light signalling is also obtained using the LED. It meets requirements regarding reliability, continuous usage and electronic simplicity.

A flashing function can also be obtained from a steady light LED illuminated unit by using a PLC output signal.

“Flash” light signalling

The light source is a 1 Joule discharge tube which delivers a powerful warning signal. It is available for the 5 colours.

Audible signalling

Audible signalling is provided by a continuous tone buzzer with a power rating of 85 dB at 1 m.

Installation

Mounting

Fixed onto support panel using plastic monobloc fixing base or fixing base comprising an aluminium support tube glued into a plastic fixing plate.

Cabling

By means of terminal block incorporated in base unit. The terminals are protected

Signalling solutions

Modular tower lights

Harmony type XVE Ø 70 mm

Illuminated beacons, tower lights for customer assembly
(up to 5 units)

Characteristics					
Conforming to IEC 60529		<ul style="list-style-type: none"> ■ IP 42 in vertical position, IP 40 for other positions ■ IP 54 for reinforced protection version: <ul style="list-style-type: none"> □ for all mounting positions using fixing base XVE Z13, □ only in vertical position for other heights of fixing base 			
		UL, CSA, CCC			
		CE			
		EN/IEC 60947-1, EN/IEC 60947-5-1			
For storage	°C	- 40...+ 70			
For operation	°C	- 25...+ 55			
Mounted on plastic support tube		Class I			
Mounted on aluminium support tube		Class I			
		Standard version: "TC"			
By integral fuse in series on the common	A	0.63 (\sim 24 V)			
	A	0.16 (\sim 120...240 V)			
Characteristics					
		With bulb, not included (lens unit only)	With integral LED, steady light signalling	With integral LED, flashing light signalling	With "flash" discharge tube, 1 Joule
Conforming to EN/IEC 60947-1	V	250			
Conforming to EN/IEC 60947-5-1	V	0.85...1.10 Un (Un: nominal voltage)			
		BA 15d base fitting bulb, maximum power 5 W (240 V max.)	LED	LED	"Flash" discharge tube, 1 Joule
On \sim 24 V	mA	Depending on bulb used	< 25	< 30	< 145 on \sim 24 V < 85 on \sim 24 V
On \sim 120 V	mA	Depending on bulb used	< 25	< 25	< 35
On \sim 230/240 V	mA	Depending on bulb used	< 25	< 25	< 25
Conforming to EN/IEC 60947-1	kV	U imp = 4			
Average value for all colours	cds/m ²	640	800	800	–
Nominal value	Hz	–	–	1	1
On \sim 24 V	mA	< 15			
On \sim 120 V	mA	< 25			
On \sim 230/240 V	mA	< 25			
Continuous tone	dB	85 at 1 m			
Fundamental frequency	kHz	2.6 for continuous tone			
Mechanical and audible units					
		1 terminal referenced "C" common to all 5 units 5 terminals referenced 1 to 5			
Maximum clamping capacity on protected, ready-to-tighten, screw and captive cable clamp terminals	mm ²	1 x 1.5 with cable end			

Signalling solutions

Modular tower lights
Harmony type XVE Ø 70 mm
Illuminated beacons

Illuminated beacons with steady light signalling						
Description	Light source	Supply voltage	Colour of lens unit	Reference	Weight kg	
Complete unit comprising: - 1 screw fixing cover, - 1 illuminated unit, - 1 base unit, - 1 short fixing base	Bulb, not included, 5 W max.	≈ 240 V max.	Green	XVE L33	0.245	
			Red	XVE L34	0.245	
			Orange	XVE L35	0.245	
			Blue	XVE L36	0.245	
			Clear	XVE L37	0.245	
	Illuminated unit with integral LED	≈ 24 V	Green	XVE L2B3	0.250	
			Red	XVE L2B4	0.250	
			Orange	XVE L2B5	0.250	
			Blue	XVE L2B6	0.250	
			Clear	XVE L2B7	0.250	
			~ 120 V	Green	XVE L2G3	0.250
				Red	XVE L2G4	0.250
		Orange		XVE L2G5	0.250	
		Blue		XVE L2G6	0.250	
		Clear		XVE L2G7	0.250	
		~ 230 V/240 V	Green	XVE L2M3	0.250	
			Red	XVE L2M4	0.250	
			Orange	XVE L2M5	0.250	
			Blue	XVE L2M6	0.250	
Clear	XVE L2M7		0.250			

Illuminated beacons with "flash" light signalling						
Description	Light source	Supply voltage	Colour of lens unit	Reference	Weight kg	
Complete unit comprising: - 1 screw fixing cover, - 1 illuminated unit, - 1 base unit, - 1 short fixing base	Illuminated unit with 1 Joule "flash" discharge tube	≈ 24 V	Green	XVE L6B3	0.270	
			Red	XVE L6B4	0.270	
			Orange	XVE L6B5	0.270	
			Blue	XVE L6B6	0.270	
			Clear	XVE L6B7	0.270	
			~ 120 V	Green	XVE L6G3	0.270
				Red	XVE L6G4	0.270
	Orange	XVE L6G5		0.270		
	Blue	XVE L6G6		0.270		
	Clear	XVE L6G7		0.270		
	~ 230 V/240 V	Green		XVE L6M3	0.270	
		Red	XVE L6M4	0.270		
		Orange	XVE L6M5	0.270		
		Blue	XVE L6M6	0.270		
		Clear	XVE L6M7	0.270		

Signalling solutions

Modular tower lights

Harmony type XVE Ø 70 mm

Tower lights for customer assembly (up to 5 units)

Illuminated units with steady light signalling

Description	Light source	Supply voltage	Colour of lens unit	Reference	Weight kg
Lens units only for BA 15d base fitting bulb	Bulb, not included, 5 W max.	≈ 240 V max.	Green	XVE C33	0.072
			Red	XVE C34	0.072
			Orange	XVE C35	0.072
			Blue	XVE C36	0.072
			Clear	XVE C37	0.072
Illuminated units	Integral LED	≈ 24 V	Green	XVE C2B3	0.077
			Red	XVE C2B4	0.077
			Orange	XVE C2B5	0.077
			Blue	XVE C2B6	0.077
			Clear	XVE C2B7	0.077
		~ 120 V	Green	XVE C2G3	0.077
			Red	XVE C2G4	0.077
			Orange	XVE C2G5	0.077
			Blue	XVE C2G6	0.077
			Clear	XVE C2G7	0.077
		~ 230 V/240 V	Green	XVE C2M3	0.077
			Red	XVE C2M4	0.077
			Orange	XVE C2M5	0.077
			Blue	XVE C2M6	0.077
Clear	XVE C2M7		0.077		

Illuminated units with flashing light signalling

Illuminated units	Integral LED	≈ 24 V	Green	XVE C5B3	0.077
			Red	XVE C5B4	0.077
			Orange	XVE C5B5	0.077
			Blue	XVE C5B6	0.077
			Clear	XVE C5B7	0.077
		~ 120 V	Green	XVE C5G3	0.077
			Red	XVE C5G4	0.077
			Orange	XVE C5G5	0.077
			Blue	XVE C5G6	0.077
			Clear	XVE C5G7	0.077
		~ 230 V/240 V	Green	XVE C5M3	0.077
			Red	XVE C5M4	0.077
			Orange	XVE C5M5	0.077
			Blue	XVE C5M6	0.077
Clear	XVE C5M7		0.077		

Illuminated units with “flash” light signalling

Illuminated units	“Flash” discharge tube, 1 Joule	≈ 24 V	Green	XVE C6B3	0.094
			Red	XVE C6B4	0.094
			Orange	XVE C6B5	0.094
			Blue	XVE C6B6	0.094
			Clear	XVE C6B7	0.094
		~ 120 V	Green	XVE C6G3	0.094
			Red	XVE C6G4	0.094
			Orange	XVE C6G5	0.094
			Blue	XVE C6G6	0.094
			Clear	XVE C6G7	0.094
		~ 230 V/240 V	Green	XVE C6M3	0.094
			Red	XVE C6M4	0.094
			Orange	XVE C6M5	0.094
			Blue	XVE C6M6	0.094
Clear	XVE C6M7		0.094		

Audible units

S (continued)

Signalling solutions

Modular tower lights

Harmony type XVE Ø 70 mm

Tower lights for customer assembly (up to 5 units),
components for beacons and tower lights

Base units and covers

Tower lights usage	Composition	Reference	Weight kg
Indoors (IP 42)	Base unit and cover	XVE C21	0.110
Outdoors (IP 54)	Base unit with seal + screw fixing cover + kit comprising 5 seals for lens units and buzzer + 1 seal for fixing base XVE Z13	XVE C21P	0.120

Fixing components

Description	Height under base unit mm	Colour	Reference	Weight kg
Plastic fixing bases	20	Black	XVE Z13	0.040
	100	Black	XVD C02	0.056
Fixing bases comprising: Ø 25 mm aluminium support tube glued into black plastic fixing plate	80	Black aluminium	XVB Z02	0.110
		Aluminium	XVB Z02A	0.110
	380	Black aluminium	XVB Z03	0.200
		Aluminium	XVB Z03A	0.200
	780	Black aluminium	XVB Z04	0.325
		Aluminium	XVB Z04A	0.325

4

Description	For	Material	Reference	Weight kg
Fixing plate	Ø 25 mm aluminium support tube (to be glued into fixing plate)	Plastic	XVB Z01	0.050
Fixing plate for use on vertical support	Mounting complete and modular tower lights (requires a fixing base)	Zamak	XVB C12	0.380

Separate components for beacons and tower lights

Description	For use with	Composition	Reference	Weight kg
Cover	Complete and modular tower lights	–	XVE Z081	0.010
IP 54 sealing kit	Modular tower lights	5 toric seals for lens units + base unit seal + 1 fixing plate seal + 1 seal for fixing base XVE Z13 + screw fixing cover	XVE Z082	0.015
	Complete tower lights	1 lens unit seal + 1 base unit seal + 2 fixing base seals	XVE Z083	0.005

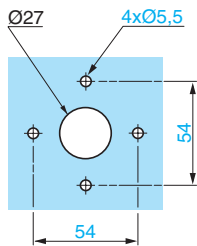
Description	Electrical characteristics	Sold in lots of	Reference	Weight kg
Incandescent bulbs	5 W	10	DL1 BEBS	0.100

Signalling solutions

Modular tower lights
Harmony type XVE Ø 70 mm
Illuminated beacons

ns XVE L●●●

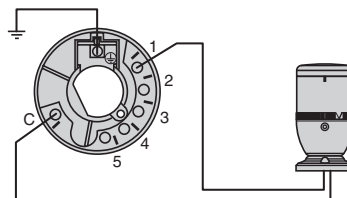
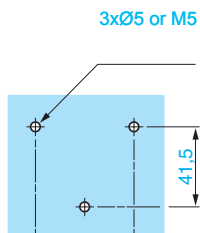
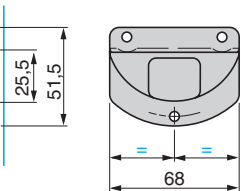
Panel cut-out for mounting directly on fixing base



te XVB C12

Vertical support panel drillings for mounting fixing plate XVB C12

Wiring scheme



Signalling solutions

Modular tower lights

Harmony type XVE Ø 70 mm

Tower lights for customer assembly (up to 5 units)

XVE C●●●



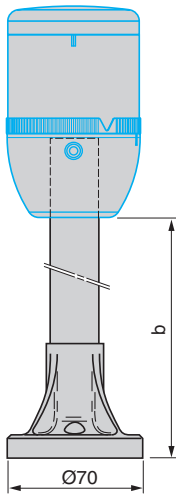
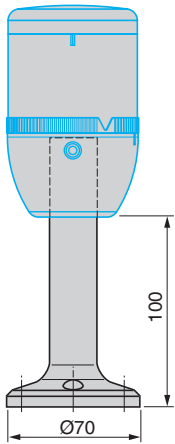
- 1 Cover XVE Z081 or cover XVE C21/C21P (with base unit),
- 2 Illuminated units XVE C●● and/or audible unit XVE C9●,
- 3 Base unit XVE C21/C21P,
- 4 Fixing bases (see below).

Height of tower lights	
Number of units (ref. 2)	b
1 unit	111
2 units	163
3 units	215
4 units	267
5 units	319

Height under base unit

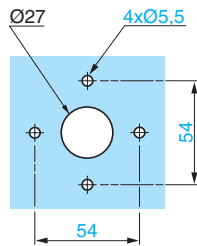
XVD C02

XVB Z0●●



Height under base unit	
Fixing base	b
XVB Z02/Z02A	80
XVB Z03/Z03A	380
XVB Z04/Z04A	780

Panel cut-out for mounting directly on fixing base

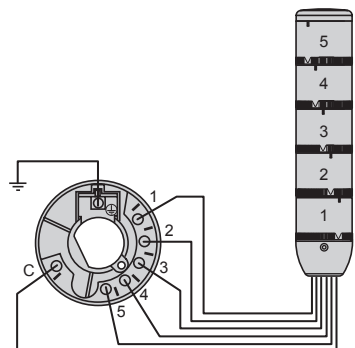
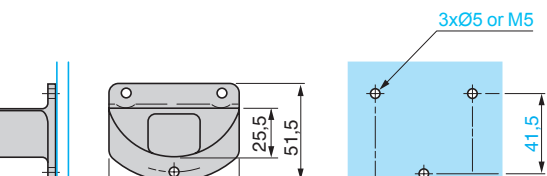


4

Mounting plate XVB C12

Vertical support panel drillings for mounting fixing plate XVB C12

Wiring scheme

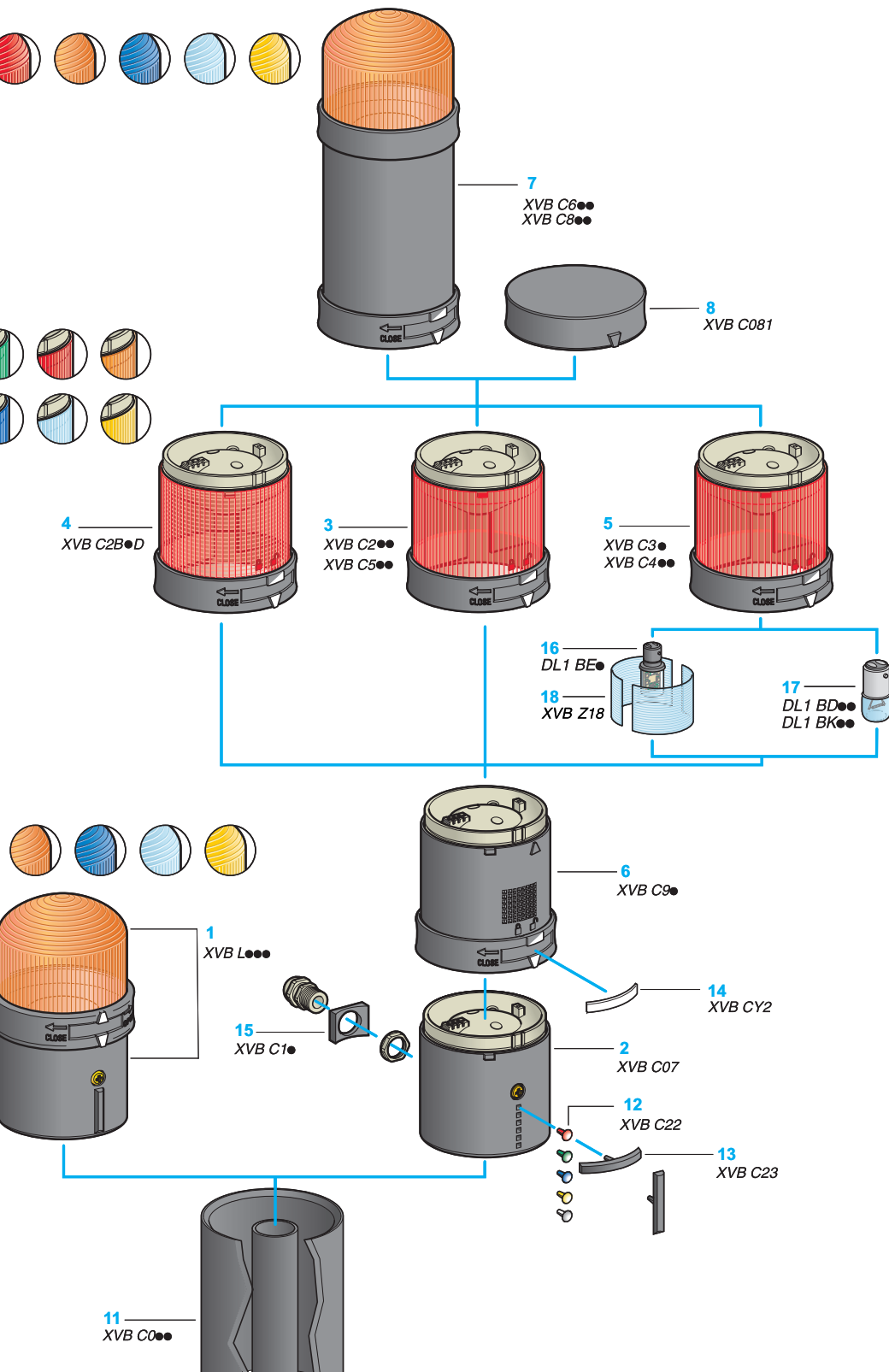


7 Signalling solutions

Modular tower lights

Harmony type XVB Ø 70 mm

Illuminated beacons, tower lights for customer assembly
(up to 5 units)



Signalling solutions

Modular tower lights

Harmony type XVB Ø 70 mm

Illuminated beacons, tower lights for customer assembly
(up to 5 units)

Illuminated beacons and tower lights type XVB are visual or audible signalling units used for indicating, throughout 360° and at a distance, the various states or operation sequences of a machine or installation. Examples: start, stop machine, no material, call technical staff, fault signalling, etc.

Complete product XVB L

Ready assembled 1 with a single illuminated signalling unit:

- steady light (with incandescent bulb or LED),
- flashing light (with incandescent bulb or LED),
- or "flash" (with discharge tube).

The **XVB L** beacon comprises:

- A base unit with a removable terminal block and bottom or side cable entry.
- One coloured illuminated unit (green, red, orange, blue, clear or yellow).

Customer assembled product XVB C

Variable composition assembly of 1 to 5 illuminated or audible units which are supplied as separate items (assembly by user). Maximum configuration: 5 units or 4 units + 1 "flash" unit.

The tower light **XVB C** comprises:

- A base unit with a removable terminal block and bottom or side cable entry 2.
- 1 to 5 coloured illuminated units (green, red, orange, blue, clear or yellow):
 - with integral LED 3,
 - with integral LED and diffuser 4 (1),
 - for incandescent bulbs or base mounted LEDs 5.
- 1 or 2 audible units 6.
- A maximum of 1 "flash" discharge unit (5 Joule or 10 Joule) 7, for mounting on top of the bank.
- A top cover 8 (except when using a "flash" discharge tube).

■ The illuminated or audible units stack vertically and are easily locked and unlocked using an integral clamping ring. Electrical connections between each unit are made automatically.

■ A light diffuser, pre-fitted in illuminated units XVB C2B•D with a base mounted LED, distributes the light evenly over the lens surface. When using the modular tower lights in bright ambient light conditions, remove the diffuser to improve contrast.

■ Connection on the AS-Interface cabling system is possible by ordering a dedicated base unit. Please refer to our "Industrial communication in machines and installations" catalogue.

For illuminated beacons XVB L and tower lights XVB C

- Fixing base comprising a support tube glued into a plastic fixing plate, for a height beneath the base unit of 80, 380 or 780 mm 9.
- Fixing plate for mounting on vertical support 10.
- Support tube concealment cover, height 100, 400 or 800 mm 11.
- Coloured markers 12 (1).
- Legend holder with legend 13 (1).
- Legends that attach to locking ring of each signalling unit for identification 14.
- Adaptor and 13P cable gland 15.
- Base mounted LED 16 or incandescent bulb 17.
- Diffuser 18 (2).

Mounting

- Base unit fixed directly onto panel using 2 screws.
- Fixed using a fixing base comprising an aluminium support tube glued into a plastic fixing plate.

Cabling

By means of removable terminal block incorporated in base unit (simplified wiring). The screw and captive cable clamp terminals are protected to prevent any accidental contact with live parts.

(1) These enable the position of the various units (illuminated or audible) to be identified in the event of dismantling the bank.

Signalling solutions

Modular tower lights

Harmony type XVB Ø 70 mm

Illuminated beacons, tower lights for customer assembly
(up to 5 units)

Characteristics

Standard version		CSA C22-2 n°14, UL 508, CCC, GOST
		EN/IEC 60947-5-1
Standard version		"TC"
For storage	°C	- 40...+ 70
For operation (1)	°C	Illuminated units with steady light signalling: - 25...+ 70, with 7 W incandescent bulb - 25...+ 50, with LED
	°C	Illuminated units with flashing light signalling: - 25...+ 50, with 7 W incandescent bulb - 25...+ 50, with LED
	°C	Illuminated units with "flash" discharge tube: - 25...+ 50
	°C	Audible units: - 25...+ 50, with buzzer
Mounted on support tube		Class I
Mounted on base unit		Class II
Conforming to IEC 60529		IP 65 (mounted on fixing base XVB Z0●) IP 66 (mounted directly on base unit)
Conforming to UL 508		Type 4X NEMA "Indoor"
Illuminated units		Polycarbonate
Base unit and cover		Glass-reinforced polyamide and polycarbonate
Support tube		Painted aluminium
Fixing plate for use on vertical support		Zamak
Fixing plate for use on horizontal support		Polyamide 66
Support tube concealment cover		ABS

Units with incandescent bulbs must not be combined with LED illuminated units, due to the risk of overheating. Also, when different units are combined, the maximum temperature is limited to that of the weaker unit.

Signalling solutions

Modular tower lights

Harmony type XVB Ø 70 mm

Illuminated beacons, tower lights for customer assembly
(up to 5 units)

Characteristics		
Age	Conforming to EN/IEC 60947-1	V 250
	Conforming to EN/IEC 60947-5-1	V 0.85 to 1.10 Un (Un: nominal voltage)
LED units	mA	Steady light signalling: ⎓ 24 V: < 47 ~ 120 V: < 17 ~ 230 V: < 17
		Flashing light signalling: ⎓ 24 V: < 47 ~ 120 V: < 17 ~ 230 V: < 17
Units with discharge tube (1)	mA	Flashing light signalling: ~ 24 V: 5 J unit: < 550; 10 J unit: < 1 300 ⎓ 24 V: 5 J unit: < 350; 10 J unit: < 850 ~ 48 V: 10 J unit: < 650 ⎓ 48 V: 10 J unit: < 400 ~ 120 V: 5 J unit: < 140; 10 J unit: < 290 ~ 230 V: 5 J unit: < 105; 10 J unit: < 280
Audible units	mA	⎓ 12...48 V: < 15 ~ 120...230 V: < 25
nd	Conforming to EN/IEC 60947-1	kV Uimp = 4
	Illuminated units with steady or flashing light signalling	LEDs: degree of pollution 2 Bulbs with BA 15d base fitting, maximum power 7 W
	Units with discharge tube	cds 13 (integral high intensity tube) with clear lens unit: 5 J tube 26 (integral high intensity tube) with clear lens unit: 10 J tube
	Continuous or intermittent tone	dB 90 at 1 m
	Fundamental frequency	kHz 2.8
		1 terminal referenced "C" common to all 5 units 1 or 5 terminals referenced 1 to 5, depending on number of units
	Maximum clamping capacity on protected, ready-to-tighten, screw and captive cable clamp terminals	mm² 1 x 1.5 with cable end
ed	Illuminated units with flashing light signalling	Hz 1
	Illuminated units with discharge tube	Hz 1

Units with a "flash" discharge tube are not suitable for steady light signalling due to the heat generated.

Signalling solutions

Modular tower lights

Harmony type XVB L Ø 70 mm

Illuminated beacons for incandescent bulbs or LEDs
(BA 15d base fitting)

Illuminated beacons with steady light signalling				
Description	Light source, to be ordered separately (1)	Colour	Reference	Weight kg
Complete unit comprising: - 1 illuminated unit - 1 base unit (direct or tube fixing)	Incandescent bulb 7 W max. 250 V max.	Green	XVB L33	0.260
		Red	XVB L34	0.260
		Orange	XVB L35	0.260
		Blue	XVB L36	0.260
		Clear	XVB L37	0.260
		Yellow	XVB L38	0.260

Illuminated beacons with integral flashing light signalling				
Description	Light source, to be ordered separately (1)	Colour	Reference	Weight kg
Complete unit comprising: - 1 illuminated unit - 1 base unit (direct or tube fixing)	Incandescent bulb 7 W max. ~ 24 V ~ 24...48 V	Green	XVB L4B3	0.280
		Red	XVB L4B4	0.280
		Orange	XVB L4B5	0.280
		Blue	XVB L4B6	0.280
	Incandescent bulb 7 W max. ~ 48...230 V	Clear	XVB L4B7	0.280
		Yellow	XVB L4B8	0.280
		Green	XVB L4M3	0.280
		Red	XVB L4M4	0.280
		Orange	XVB L4M5	0.280
		Blue	XVB L4M6	0.280
		Clear	XVB L4M7	0.280
		Yellow	XVB L4M8	0.280

(1) Incandescent bulbs and LEDs, see page 4/57.

Signalling solutions

Modular tower lights

Harmony type XVB L Ø 70 mm

Illuminated beacons with LED light source

Illuminated beacons with steady light signalling					
Description	Light source	Colour	Reference	Weight kg	
Complete unit comprising: - 1 illuminated unit - 1 base unit (direct or tube fixing)	LED, included ≈ 24 V	Green	XVB L0B3	0.270	
		Red	XVB L0B4	0.270	
		Orange	XVB L0B5	0.270	
		Blue	XVB L0B6	0.270	
		Clear	XVB L0B7	0.270	
		Yellow	XVB L0B8	0.270	
		LED, included ~ 120 V	Green	XVB L0G3	0.270
			Red	XVB L0G4	0.270
			Orange	XVB L0G5	0.270
Blue	XVB L0G6		0.270		
Clear	XVB L0G7		0.270		
Yellow	XVB L0G8		0.270		
LED, included ~ 230 V	Green	XVB L0M3	0.270		
	Red	XVB L0M4	0.270		
	Orange	XVB L0M5	0.270		
	Blue	XVB L0M6	0.270		
	Clear	XVB L0M7	0.270		
	Yellow	XVB L0M8	0.270		

**Protected[®]
LED**

4

Illuminated beacons with integral flashing light signalling					
Description	Light source	Colour	Reference	Weight kg	
Complete unit comprising: - 1 illuminated unit - 1 base unit (direct or tube fixing)	LED, included ≈ 24 V	Green	XVB L1B3	0.280	
		Red	XVB L1B4	0.280	
		Orange	XVB L1B5	0.280	
		Blue	XVB L1B6	0.280	
		Clear	XVB L1B7	0.280	
		Yellow	XVB L1B8	0.280	
		LED, included ~ 120 V	Green	XVB L1G3	0.280
			Red	XVB L1G4	0.280
			Orange	XVB L1G5	0.280
Blue	XVB L1G6		0.280		
Clear	XVB L1G7		0.280		
Yellow	XVB L1G8		0.280		
LED, included ~ 230 V	Green	XVB L1M3	0.280		
	Red	XVB L1M4	0.280		
	Orange	XVB L1M5	0.280		
	Blue	XVB L1M6	0.280		
	Clear	XVB L1M7	0.280		
	Yellow	XVB L1M8	0.280		

**Protected[®]
LED**

Signalling solutions

Modular tower lights

Harmony type XVB L Ø 70 mm

Illuminated beacons with “flash” discharge tube

Illuminated beacons with 5 Joule “flash” discharge tube				
Description	Light source	Colour	Reference	Weight kg
Complete unit comprising: - 1 illuminated unit - 1 base unit (direct or tube fixing)	Integral “flash” discharge tube ≈ 24 V	Green	XVB L6B3	0.440
		Red	XVB L6B4	0.440
		Orange	XVB L6B5	0.440
		Blue	XVB L6B6	0.440
		Clear	XVB L6B7	0.440
		Yellow	XVB L6B8	0.440
	Integral “flash” discharge tube ~ 120 V	Green	XVB L6G3	0.425
		Red	XVB L6G4	0.425
		Orange	XVB L6G5	0.425
		Blue	XVB L6G6	0.425
		Clear	XVB L6G7	0.425
		Yellow	XVB L6G8	0.425
	Integral “flash” discharge tube ~ 230 V	Green	XVB L6M3	0.435
		Red	XVB L6M4	0.435
		Orange	XVB L6M5	0.435
Blue		XVB L6M6	0.435	
Clear		XVB L6M7	0.435	
Yellow		XVB L6M8	0.435	
Illuminated beacons with 10 Joule “flash” discharge tube				
Description	Light source	Colour	Reference	Weight kg
Complete unit comprising: - 1 illuminated unit - 1 base unit (direct or tube fixing)	Integral “flash” discharge tube ≈ 24 V	Green	XVB L8B3	0.450
		Red	XVB L8B4	0.450
		Orange	XVB L8B5	0.450
		Blue	XVB L8B6	0.450
		Clear	XVB L8B7	0.450
		Yellow	XVB L8B8	0.450
	Integral “flash” discharge tube ~ 120 V	Green	XVB L8G3	0.460
		Red	XVB L8G4	0.460
		Orange	XVB L8G5	0.460
		Blue	XVB L8G6	0.460
		Clear	XVB L8G7	0.460
		Yellow	XVB L8G8	0.460
	Integral “flash” discharge tube ~ 230 V	Green	XVB L8M3	0.460
		Red	XVB L8M4	0.460
		Orange	XVB L8M5	0.460
Blue		XVB L8M6	0.460	
Clear		XVB L8M7	0.460	
Yellow		XVB L8M8	0.460	

Signalling solutions

Modular tower lights

Harmony type XVB C Ø 70 mm

Tower lights for customer assembly (up to 5 units)

Illuminated units for incandescent bulbs or LEDs (BA 15d base fitting)

Illuminated units with steady light signalling

Description	Light source, to be ordered separately (1)	Colour	Reference	Weight kg
Illuminated units	Incandescent bulb 7 W max. 250 V max. or LED	Green	XVB C33	0.140
		Red	XVB C34	0.140
		Orange	XVB C35	0.140
		Blue	XVB C36	0.140
		Clear	XVB C37	0.140
		Yellow	XVB C38	0.140

Illuminated units with integral flashing light signalling

Description	Light source, to be ordered separately (1)	Colour	Reference	Weight kg	
Illuminated units	Incandescent bulb 7 W max. ~ 24 V ~ 24...48 V or LED	Green	XVB C4B3	0.160	
		Red	XVB C4B4	0.160	
		Orange	XVB C4B5	0.160	
		Blue	XVB C4B6	0.160	
		Clear	XVB C4B7	0.160	
		Yellow	XVB C4B8	0.160	
		Incandescent bulb 7 W max. ~ 48...230 V or LED	Green	XVB C4M3	0.160
			Red	XVB C4M4	0.160
	Orange		XVB C4M5	0.160	
	Blue		XVB C4M6	0.160	
	Clear		XVB C4M7	0.160	
	Yellow		XVB C4M8	0.160	

(1) Incandescent bulbs and LEDs, see page 4/57.

Signalling solutions

Modular tower lights

Harmony type XVB C Ø 70 mm

Tower lights for customer assembly (up to 5 units)

Illuminated units with integral LED

Illuminated units with steady light signalling				
Description	Voltage	Colour	Reference	Weight kg
Illuminated units with integral LED Protected LED	≈ 24 V	Green	XVB C2B3 (1)	0.150
		Red	XVB C2B4 (1)	0.150
		Orange	XVB C2B5 (1)	0.150
		Blue	XVB C2B6 (1)	0.150
		Clear	XVB C2B7 (1)	0.150
		Yellow	XVB C2B8 (1)	0.150
	~ 120 V	Green	XVB C2G3	0.150
		Red	XVB C2G4	0.150
		Orange	XVB C2G5	0.150
		Blue	XVB C2G6	0.150
		Clear	XVB C2G7	0.150
		Yellow	XVB C2G8	0.150
	~ 230 V	Green	XVB C2M3	0.150
		Red	XVB C2M4	0.150
		Orange	XVB C2M5	0.150
		Blue	XVB C2M6	0.150
		Clear	XVB C2M7	0.150
		Yellow	XVB C2M8	0.150

Illuminated units with integral flashing light signalling				
Description	Voltage	Colour	Reference	Weight kg
Illuminated units with integral LED Protected LED	≈ 24 V	Green	XVB C5B3	0.170
		Red	XVB C5B4	0.170
		Orange	XVB C5B5	0.170
		Blue	XVB C5B6	0.170
		Clear	XVB C5B7	0.170
		Yellow	XVB C5B8	0.170
	~ 120 V	Green	XVB C5G3	0.170
		Red	XVB C5G4	0.170
		Orange	XVB C5G5	0.170
		Blue	XVB C5G6	0.170
		Clear	XVB C5G7	0.170
		Yellow	XVB C5G8	0.170
	~ 230 V	Green	XVB C5M3	0.170
		Red	XVB C5M4	0.170
		Orange	XVB C5M5	0.170
		Blue	XVB C5M6	0.170
		Clear	XVB C5M7	0.170
		Yellow	XVB C5M8	0.170

(1) To order an illuminated unit with integral LED pre-fitted with light diffuser XVB Z18, add the letter "D" to the end of the reference. Example: XVB C2B3D.

Signalling solutions

Modular tower lights

Harmony type XVB C Ø 70 mm

Tower lights for customer assembly (up to 5 units)

Illuminated units with integral “flash” discharge tube

Illuminated units with 5 Joule “flash” discharge tube

Description	Light source	Colour	Reference	Weight kg
Illuminated units	Integral “flash” discharge tube ≈ 24 V	Green	XVB C6B3	0.295
		Red	XVB C6B4	0.295
		Orange	XVB C6B5	0.295
		Blue	XVB C6B6	0.295
		Clear	XVB C6B7	0.295
		Yellow	XVB C6B8	0.295
	Integral “flash” discharge tube ~ 120 V	Green	XVB C6G3	0.280
		Red	XVB C6G4	0.280
		Orange	XVB C6G5	0.280
		Blue	XVB C6G6	0.280
		Clear	XVB C6G7	0.280
		Yellow	XVB C6G8	0.280
	Integral “flash” discharge tube ~ 230 V	Green	XVB C6M3	0.290
		Red	XVB C6M4	0.290
		Orange	XVB C6M5	0.290
		Blue	XVB C6M6	0.290
		Clear	XVB C6M7	0.290
		Yellow	XVB C6M8	0.290

Illuminated units with 10 Joule “flash” discharge tube

Description	Light source	Colour	Reference	Weight kg
Illuminated units	Integral “flash” discharge tube ≈ 24 V	Green	XVB C8B3	0.305
		Red	XVB C8B4	0.305
		Orange	XVB C8B5	0.305
		Blue	XVB C8B6	0.305
		Clear	XVB C8B7	0.305
		Yellow	XVB C8B8	0.305
	Integral “flash” discharge tube ≈ 48 V	Orange	XVB C8E5	0.315
	Integral “flash” discharge tube ~ 120 V	Green	XVB C8G3	0.315
		Red	XVB C8G4	0.315
		Orange	XVB C8G5	0.315
		Blue	XVB C8G6	0.315
		Clear	XVB C8G7	0.315
		Yellow	XVB C8G8	0.315
	Integral “flash” discharge tube ~ 230 V	Green	XVB C8M3	0.315
		Red	XVB C8M4	0.315
		Orange	XVB C8M5	0.315
		Blue	XVB C8M6	0.315
		Clear	XVB C8M7	0.315
Yellow		XVB C8M8	0.315	

Signalling solutions

Modular tower lights

Harmony type XVB C Ø 70 mm

Tower lights for customer assembly (up to 5 units)

Audible units, base units, cover, accessories

Audible units			
Description	Characteristics	Reference	Weight kg
Buzzer, 90 dB at 1 m Adjustable: - 70 or 90 dB - continuous or intermittent tone using microswitch	≈ 12...48 V	XVB C9B	0.170
	~ 120...230 V	XVB C9M	0.180

Base units (for direct or tube fixing)				
Description	For use with	Type	Reference	Weight kg
Base unit + cover with bottom or side cable entry	Modular tower lights without "flash" discharge tube unit	Standard	XVB C21	0.190
Base unit only with bottom or side cable entry	Modular tower lights with "flash" discharge tube unit	Standard	XVB C07	0.160
Base unit + cover with side cable entry	All types of modular tower lights	AS-Interface (1)	XVB C21A	-
Base unit + cover with bottom entry, pre-cabled (length 1 metre) and fitted with M12 end connector	All types of modular tower lights	AS-Interface (1)	XVB C21B	-

(1) For further information on AS-Interface connections, refer to our "Industrial communication in machines and installations" catalogue.

Accessories specific to tower lights XVB C			
Description	Application	Unit reference	Weight kg
Cover only	For use with XVB C2, XVB C3, XVB C4, XVB C5 and XVB C9	XVB C081	0.030
Set of 6 coloured markers	For identification of the position of units in the event of dismantling the modular tower light	XVB C22	0.001
Set of 5 legend holders	For identification of stacked units on base unit	XVB C23	0.002
Sheet of 85 legends	For use with base unit legend holder XVB C23	XVB CY1	0.005
Sheet of 52 legends	For identification of stacked units, used on locking ring	XVB CY2	0.005
Adaptor for side entry through base unit	With 13P cable gland	XVB C14	0.015
SIS labelling software (in English, French, German, Italian and Spanish)	For creating legends	XBY 2U	0.100
Light diffuser, clear plastic (Sold in boxes)	Only for use with LED illuminated units (all colours) One box allows to equip 5 illuminated units.	XVB Z18	0.080

Signalling solutions

Modular tower lights

Harmony type XVB Ø 70 mm

Illuminated beacons, tower lights for customer assembly
(up to 5 units)

Accessories common to beacons XVB L and tower lights XVB C

Description	Height under base unit (mm)	Colour	Reference	Weight kg
Fixing bases comprising Ø 25 mm aluminium support tube glued into a black plastic fixing plate	80	Black aluminium	XVB Z02	0.110
		Aluminium	XVB Z02A	0.110
	380	Black aluminium	XVB Z03	0.200
		Aluminium	XVB Z03A	0.200
	780	Black aluminium	XVB Z04	0.325
		Aluminium	XVB Z04A	0.325

Description	For use with	Material	Reference	Weight kg
Support tube concealment cover	Support tubes XVB Z02, XVB Z02A	ABS	XVB C020	0.080
	Support tubes XVB Z03, XVB Z03A	ABS	XVB C030	0.305
	Support tubes XVB Z04, XVB Z04A	ABS	XVB C040	0.610
Ø 25 mm aluminium support tube Height under base unit 780 mm	Fixing plate XVB Z01 (to be glued into the plastic fixing plate)	Plastic	XVB Z14	0.690
Fixing plate for use on horizontal support	Ø 25 mm aluminium support tube	Plastic	XVB Z01	0.050
Fixing plate for use on vertical support	Base unit (direct mounting), fixing plate XVB Z01 or fixing bases XVB Z0●	Zamak	XVB C12	0.380

Description	Characteristics		Sold in lots of	Unit reference	Weight kg
Incandescent bulbs BA 15d base fitting	12 V	7 W	10	DL1 BEJ	0.090
	24 V	6.5 W	10	DL1 BEB	0.090
	48 V	6 W	10	DL1 BEE	0.090
	120 V	7 W	10	DL1 BEG	0.090
	230 V	7 W	10	DL1 BEM	0.090

LEDs BA 15d base fitting	Voltage	Colour	Quantity	Unit reference	Weight kg
Protected LED	≈ 24 V	White	1	DL1 BDB1	0.015
		Green	1	DL1 BDB3	0.015
		Red	1	DL1 BDB4	0.015
		Orange	1	DL1 BDB5	0.015
		Blue	1	DL1 BDB6	0.015
	~ 120 V	White	1	DL1 BDG1	0.015
		Green	1	DL1 BDG3	0.015
		Red	1	DL1 BDG4	0.015
		Orange	1	DL1 BDG5	0.015
		Blue	1	DL1 BDG6	0.015
	~ 230 V	White	1	DL1 BDM1	0.015
		Green	1	DL1 BDM3	0.015
		Red	1	DL1 BDM4	0.015
		Orange	1	DL1 BDM5	0.015
		Blue	1	DL1 BDM6	0.015
		Yellow	1	DL1 BDM8	0.015

Flashing LEDs BA 15d base fitting	Voltage	Colour	Quantity	Unit reference	Weight kg
Protected LED	≈ 24 V	White	1	DL1 BKB1	0.015
		Green	1	DL1 BKB3	0.015
		Red	1	DL1 BKB4	0.015
		Orange	1	DL1 BKB5	0.015
		Blue	1	DL1 BKB6	0.015
	~ 120 V	White	1	DL1 BKG1	0.015
		Green	1	DL1 BKG3	0.015
		Red	1	DL1 BKG4	0.015
		Orange	1	DL1 BKG5	0.015
		Blue	1	DL1 BKG6	0.015

Signalling solutions

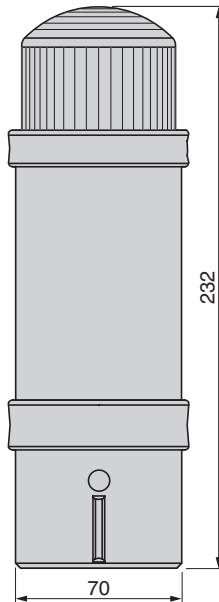
Modular tower lights

Harmony type XVB Ø 70 mm

Illuminated beacons, tower lights for customer assembly
(up to 5 units)

XVB L●●●

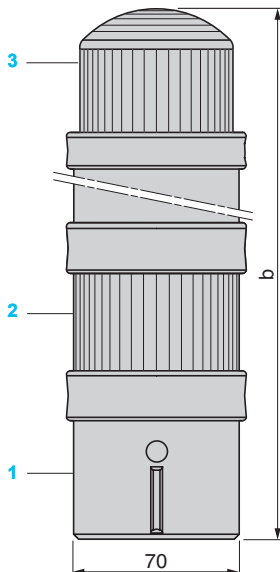
With "flash" discharge tube unit



With "flash" discharge tube unit

With "flash" discharge tube unit

- 1 Base unit XVB C21 (1)
- 2 Illuminated or audible signalling unit XVB C●●●
- 3 Cover (1)



- 1 Base unit XVB C07
- 2 Illuminated or audible signalling unit XVB C●●●
- 3 "Flash" unit XVB C●●●

b
138
201
264
327
390

Number of illuminated or audible signalling units other than "flash" tube	b
1	295
2	358
3	421
4	484

Applied with a cover.

Mounting fixing

XVB C07, XVB C21A or XVB C21B

S (continued),

Signalling solutions

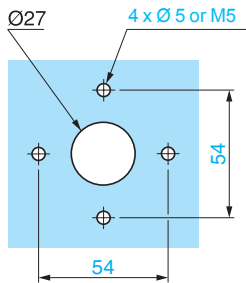
Modular tower lights

Harmony type XVB Ø 70 mm

Illuminated beacons, tower lights for customer assembly (up to 5 units)

comprising XVB Z0● (aluminium support tube glued into black plastic fixing plate)

Horizontal support panel cut-out for mounting on fixing plate



1
b
2
Fixing base comprising XVB Z0● (Ø 25 mm support tube 1 glued into plastic fixing plate 2)

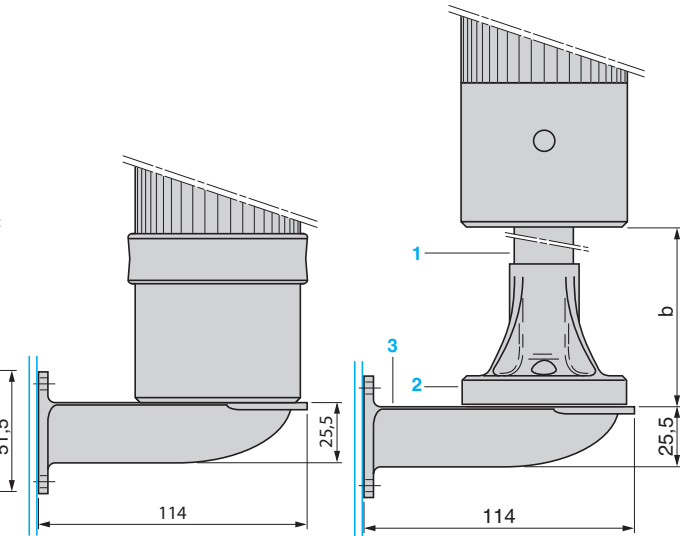
XVB	b
Z02/Z02A	80
Z03/Z03A	380
Z04/Z04A	780

XVB C12 for use on vertical support

base unit

Mounting using fixing base XVB Z0● (aluminium support tube glued into black plastic fixing plate)

Vertical support panel drillings for mounting fixing plate XVB C12



Fixing base comprising XVB Z0● (Ø 25 mm support tube 1 glued into plastic fixing plate 2) mounted on fixing plate XVB C12 for vertical support 3

XVB	b
Z02/Z02A	80
Z03/Z03A	380
Z04/Z04A	780

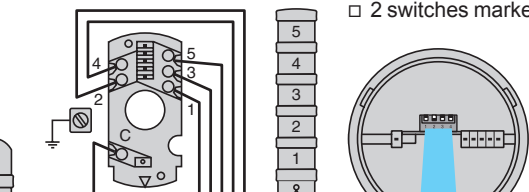
4

Adjustment of audible signal for buzzers type XVB C9●

By means of 4 microswitches located in the base of the buzzer:

- 2 switches marked 1 and 2 for selecting continuous or intermittent mode (Hz).
- 2 switches marked 3 and 4 for selecting the power (dB) of the audible signal.

Position of microswitches		Setting
1	2	Mode
1	1	— 2.8 kHz
1	0	— 2.8 kHz
0	1	⌋⌋ 5 Hz (1)
0	0	⌋⌋ 1 Hz



7

Signalling solutions

Modular tower lights

Harmony type XVD Ø 70 mm

Pre-cabled tower lights and tower lights for customer assembly (up to 5 units)

Presentation

Ø 70 mm tower lights type XVD are available in 2 forms:

■ Pre-cabled products

Depending on the model, they are "ready to use":

- with 1, 2, 3 or 4 illuminated signalling units (light source included),
- with or without "flash" unit,
- with or without audible signalling unit (buzzer),
- with fixing base.

The pre-cabled tower lights cannot be modified due to the wiring.

■ **Customer assembled products**, using separate components for customised configuration.

Light signalling

■ 6 catalogued illuminated unit lens colours (green, red, orange, blue, clear and yellow) are available as separate components. These illuminated units can be fitted with steady or flashing light signalling LEDs which provide a long service life by considerably reducing heating and power consumption. However, incandescent bulbs can also be used.

■ A light diffuser, pre-fitted in illuminated units with a base mounted LED (1), distributes the light evenly over the lens surface. When using the tower lights in bright ambient light conditions, remove the diffuser to improve contrast.

■ Some pre-cabled tower lights models are available with a 5 Joule orange or red "flash" unit, but other colours (green, blue, yellow and clear) can be ordered as separate components.

Audible signalling

Pre-cabled tower lights are supplied with or without an audible unit (buzzer), depending on the model selected.

- The volume of the audible signal is adjustable up to a value of 90 decibels at a distance of 1 m.
- Microswitches located in the audible unit enable selection of the signal frequency: continuous or intermittent tone.

Cabling and mounting

■ Pre-cabled Ø 70 mm tower lights XVD have 300 mm long connecting wires protruding from the fixing base.

The wires have bared ends to enable direct connection, without the need for wire stripping etc. A label attached to the common (black wire) details the wire colour and associated unit in the tower light, from bottom to top:

- brown: 1st unit,
- grey: 2nd unit,
- violet: 3rd unit,
- blue: 4th unit.

The connections to customer assembled products are made to a removable terminal block incorporated in the base unit.

■ The fixing of the combined units is assured by a single screw, the length of which depends on the number of units in the tower light.

(1) Diffuser not compatible with units fitted with an incandescent bulb or "flash" discharge tube.



Pre-cabled tower light XVD fitted with 2 illuminated units and 1 audible unit

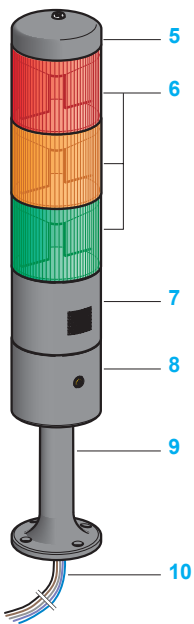
on,
7

Signalling solutions

Modular tower lights

Harmony type XVD Ø 70 mm

Pre-cabled tower lights and tower lights for customer assembly (up to 5 units)



Description

Pre-cabled Ø 70 mm tower lights XVD with one illuminated unit

The assembled tower lights comprise:

- 1 an illuminated unit with "flash" discharge tube (included) and orange or red lens,
- 2 a base unit,
- 3 a 100 mm high plastic fixing base (support tube with integral fixing plate), for raising the tower light 80 mm,
- 4 different coloured connecting wires with bared ends, length protruding from support tube: 300 mm.

Pre-cabled Ø 70 mm tower lights XVD with two to four illuminated units

The assembled tower lights comprise:

- 5 a cover,
- 6 two, three or four illuminated units with red, green, orange or clear lens (depending on model) and light source (included),
- 7 an audible unit (buzzer), depending on model,
- 8 a base unit,
- 9 a 100 mm high plastic fixing base (support tube with integral fixing plate), for raising the tower light 80 mm,
- 10 different coloured connecting wires with bared ends, length protruding from support tube: 300 mm.

4

Customer assembled Ø 70 mm tower lights XVD

A **customised** tower light can be obtained by assembling:

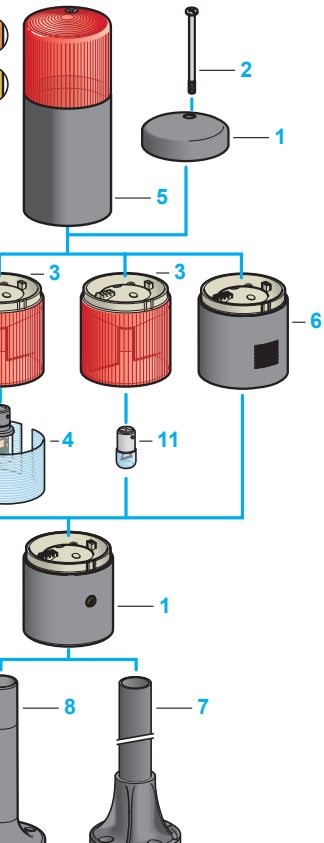
- 1 a cover and a base unit incorporating a removable terminal block (1) with bottom cable entry,
- 2 a fixing screw for the combined units (2),
- 3 5 illuminated units maximum (3) with red, orange, green, blue or clear lens, light source not included (4),
- 4 a light diffuser (accessory that is only compatible with illuminated units fitted with an LED),
- 5 an illuminated unit with integral "flash" discharge tube (always mounted at the top of the tower light),
- 6 an audible unit (buzzer),
- 7 a fixing base comprising an aluminium support tube glued into a plastic fixing plate, for raising the tower light by 80, 380 or 780 mm,
- 8 a plastic fixing base (support tube with integral fixing plate), height 100 mm,
- 9 a zamak fixing plate for use on a vertical support,
- 10 a base mounted LED,
- 11 an incandescent bulb.

(1) Electrical connections to removable terminal block to made by user.

(2) Variable length screw depending on the number of units to be combined. To be ordered separately, see page 4/66

(3) Maximum configurations possibilities:

- 5 illuminated units mounted on base unit.
 - 4 illuminated units + 1 "buzzer" mounted on base unit.
- (4) Incandescent bulbs or LEDs to be ordered separately, see page 4/67.



Signalling solutions

Modular tower lights

Harmony type XVD Ø 70 mm

Pre-cabled tower lights and tower lights for customer assembly (up to 5 units)

		EN/IEC 60947-5-1
		UL, CSA, GOST
Standard version		"TC"
For storage	°C	- 40...+ 70
For operation (1)	°C	Illuminated units with steady light signalling: - 25...+ 70, with 10 W max. incandescent bulb - 25...+ 50, with LED
	°C	Illuminated units with flashing light signalling: - 25...+ 50, with 7 W max. incandescent bulb - 25...+ 40, with 10 W max. incandescent bulb - 25...+ 50, with LED
	°C	Illuminated units with "flash" discharge tube: - 25...+ 50
	°C	Audible units: - 25...+ 50, with buzzer
Mounted on support tube		Class I with metal fixing plate Class II with plastic fixing plate
Mounted on base unit		Class II
Conforming to IEC 60529		IP 40
Illuminated units		Polycarbonate
Base unit and cover		Glass-reinforced polyamide and polycarbonate
Fixing bases		Support tube with integral fixing plate: plastic (XVD C02) Aluminium support tube glued into plastic fixing plate (XVB Z0●)
Fixing plate XVB C12 for use on vertical support		Zamak

Characteristics

Conforming to EN/IEC 60947-1	V	250
Conforming to EN/IEC 60947-5-1	G	0.85 to 1.10 Un (Un: nominal voltage)
LED unit	mA	Steady light signalling: ≈ 24 V: < 47 ~ 120 V: < 17 ~ 230 V: < 17
	mA	Flashing light signalling: ≈ 24 V: < 47 ~ 120 V: < 17 ~ 230 V: < 17
5 Joule "flash" discharge tube unit (on energisation)	mA	~ 24 V: < 550 ≈ 24 V: < 350 ~ 120 V: < 140 ~ 230 V: < 105
Audible units	mA	≈ 12...48 V: < 20 ~ 120...230 V: < 50
Conforming to EN/IEC 60947-1	kV	Uimp = 4
Illuminated units with steady or flashing light signalling		Incandescent bulbs with BA 15d base fitting, maximum power 10 W LED with BA 15d base fitting
Illuminated units with discharge circuit (integral discharge tube)	cds	13 (integral high intensity tube) with clear lens unit: 5 J tube
Continuous or intermittent tone	dB	90 at 1 m (adjustable: 70...90 dB)
Fundamental frequency	kHz	2.8
Common to all 5 units		1 terminal referenced "C"
Depending on number of units		1 or 5 terminals referenced 1 to 5
Maximum clamping capacity on protected, ready-to-tighten, screw and captive cable clamp terminals	mm²	1 x 1.5 with cable end 1 x 0.82 with bared wire ends (complete products)

Signalling solutions

Modular tower lights

Harmony type XVD Ø 70 mm

Pre-cabled tower lights

Pre-cabled tower lights

With 1 signalling unit

Composition	Light source (included)	Voltage	Signalling colour (1)		Reference (2)	Weight kg
			Steady	"Flash"		
1 illuminated unit	"Flash" discharge tube 5 J	≈ 24 V	–	R	XVD BR6	0.600
			–	O	XVD BA6	0.600
	≈ 230 V	–	R	XVD MR6	0.600	
		–	O	XVD MA6	0.600	

With 2 signalling units

Composition	Light source (included)	Voltage	Signalling colour (1)		Reference (2)	Weight kg
			Steady	"Flash"		
2 illuminated units	LED	≈ 24 V	G-R	–	XVD B2GR	0.553
			O-R	–	XVD B2AR	0.553
	LED + "flash" discharge tube 5 J	≈ 24 V	G	R	XVD B2GR6	0.755
1 illuminated unit + 1 audible "buzzer" unit	"Flash" discharge tube 5 J	≈ 24 V	–	O	XVD BSA6	0.775

With 3 signalling units

Composition	Light source (included)	Voltage	Signalling colour (1)		Reference (2)	Weight kg
			Steady	"Flash"		
3 illuminated units	Incandescent bulb 10 W max.	≈ 24 V	G-O-R	–	XVD B1GAR	0.923
		≈ 230 V	G-O-R	–	XVD M1GAR	0.923
	LED	≈ 24 V	G-O-R	–	XVD B2GAR	0.698
		≈ 230 V	G-O-R	–	XVD M2GAR	0.698
	LED + "flash" discharge tube 5 J	≈ 24 V	G-O	R	XVD B2GAR6	0.898
2 illuminated units + 1 audible "buzzer" unit	LED	≈ 24 V	G-R	–	XVD B2SGR	0.718
			O-R	–	XVD B2SAR	0.718
			≈ 230 V	G-R	–	XVD M2SGR

With 4 signalling units

Composition	Light source (included)	Voltage	Signalling colour (1)		Reference (2)	Weight kg
			Steady	"Flash"		
4 illuminated units	LED	≈ 24 V	C-G-O-R	–	XVD B2CGAR	0.843
3 illuminated units + 1 audible "buzzer" unit	Incandescent bulb 10 W max.	≈ 24 V	G-O-R	–	XVD B1SGAR	1.088
	LED	≈ 24 V	G-O-R	–	XVD B2SGAR	0.863

Signalling solutions

Modular tower lights

Harmony type XVD Ø 70 mm

Tower lights for customer assembly (up to 5 units)

Tower lights for customer assembly

With steady light signalling

Description	Light source, to be ordered separately (1)	Colour	Reference	Weight kg
Tower light comprising: - 1 illuminated unit - 1 base unit	Incandescent bulb 10 W max., 250 V max. or LED	Green	XVD L33	0.255
		Red	XVD L34	0.255
		Orange	XVD L35	0.255
		Blue	XVD L36	0.255
		Clear	XVD L37	0.255
		Yellow	XVD L38	0.255

With integral flashing light signalling

Description	Light source, to be ordered separately (1)	Colour	Reference	Weight kg
Tower light comprising: - 1 illuminated unit - 1 base unit	Incandescent bulb 10 W max., ~ 24 V, ~ 24...48 V or LED	Green	XVD L4B3	0.275
		Red	XVD L4B4	0.275
		Orange	XVD L4B5	0.275
		Blue	XVD L4B6	0.275
		Clear	XVD L4B7	0.275
		Yellow	XVD L4B8	0.275
	Incandescent bulb 10 W max., ~ 48...230 V or LED	Green	XVD L4M3	0.275
		Red	XVD L4M4	0.275
		Orange	XVD L4M5	0.275
		Blue	XVD L4M6	0.275
		Clear	XVD L4M7	0.275
		Yellow	XVD L4M8	0.275

With 5 Joule "flash" discharge tube

Description	Light source (included)	Colour	Reference	Weight kg
Tower light comprising: - 1 illuminated unit - 1 base unit	Integral "flash" discharge tube ~ 24 V	Green	XVD L6B3	0.480
		Red	XVD L6B4	0.480
		Orange	XVD L6B5	0.480
		Blue	XVD L6B6	0.480
		Clear	XVD L6B7	0.480
		Yellow	XVD L6B8	0.480
	Integral "flash" discharge tube ~ 230 V	Green	XVD L6M3	0.475
		Red	XVD L6M4	0.475
		Orange	XVD L6M5	0.475
		Blue	XVD L6M6	0.475

Signalling solutions

Modular tower lights

Harmony type XVD Ø 70 mm

Tower lights for customer assembly (up to 5 units)

Tower lights for customer assembly of 1 to 5 signalling units

Illuminated units with steady light signalling

Description	Light source, to be ordered separately (1)	Colour	Reference	Weight kg
Illuminated units	Incandescent bulb 10 W max., 250 V max. or LED	Green	XVD C33	0.115
		Red	XVD C34	0.115
		Orange	XVD C35	0.115
		Blue	XVD C36	0.115
		Clear	XVD C37	0.115
		Yellow	XVD C38	0.115

Illuminated units with integral flashing light signalling

Description	Light source, to be ordered separately (1)	Colour	Reference	Weight kg
Illuminated units	Incandescent bulb 10 W max., ~ 24 V, ~ 24...48 V or LED	Green	XVD C4B3	0.135
		Red	XVD C4B4	0.135
		Orange	XVD C4B5	0.135
		Blue	XVD C4B6	0.135
		Clear	XVD C4B7	0.135
		Yellow	XVD C4B8	0.135
	Incandescent bulb 10 W max., ~ 48...230 V or LED	Green	XVD C4M3	0.135
		Red	XVD C4M4	0.135
		Orange	XVD C4M5	0.135
		Blue	XVD C4M6	0.135
		Clear	XVD C4M7	0.135
Yellow	XVD C4M8	0.135		

4

Light diffuser

Description	For use with	Reference	Weight kg
Light diffuser clear plastic (Sold in boxes)	LED illuminated units only (all colours) One box allows to equip 5 illuminated units.	XVB Z18	0.080

Illuminated units with 5 Joule "flash" discharge tube

Description	Light source (included)	Colour	Reference	Weight kg
Illuminated units	Integral "flash" discharge tube ~ 24 V	Green	XVD C6B3	0.310
		Red	XVD C6B4	0.310
		Orange	XVD C6B5	0.310
		Blue	XVD C6B6	0.310
		Clear	XVD C6B7	0.310
		Yellow	XVD C6B8	0.310
	Integral "flash" discharge tube ~ 230 V	Green	XVD C6M3	0.310
		Red	XVD C6M4	0.310
		Orange	XVD C6M5	0.310
		Blue	XVD C6M6	0.310
		Clear	XVD C6M7	0.310
Yellow	XVD C6M8	0.310		

(1) Incandescent bulbs and LEDs: see page 4/67.

(continued)

Signalling solutions

Modular tower lights

Harmony type XVD Ø 70 mm

Tower lights for customer assembly (up to 5 units)

Tower lights for customer assembly of 1 to 5 signalling units (continued)

Audible units

Description	Characteristics	Reference	Weight kg
Buzzer, 90 dB at 1 m adjustable, 70 to 90 dB, continuous or intermittent mode (using microswitches)	≈ 12...48 V	XVD C9B	0.150
	~ 120...230 V	XVD C9M	0.150

Base units (for direct or support tube fixing)

Description	For use with	Type	Reference	Weight kg
Base unit + cover with bottom cable entry	Tower lights without "flash" discharge tube unit	Standard	XVD C21	0.180
Base unit only with bottom cable entry	Tower lights with "flash" discharge tube unit	Standard	XVD C07	0.160

Assembly screw

Screw for assembling signalling units on base unit	Tower lights without "flash" discharge tube unit	1 unit	XVD C03	0.015
		2 units	XVD C04	0.022
		3 units	XVD C05	0.030
		4 units	XVD C06	0.038
		5 units	XVD C08	0.045
	Tower lights with "flash" discharge tube unit	1 unit	XVD C09	0.036
		2 units	XVD C10	0.044
		3 units	XVD C11	0.050
		4 units	XVD C12	0.059

Signalling solutions

Modular tower lights

Harmony type XVD Ø 70 mm

Accessories for customer assembled tower lights

Accessories for customer assembled tower lights				
Description	Height under base unit (mm)	Support tube colour	Reference	Weight kg
Fixing bases comprising Ø 25 mm aluminium support tube glued into a black plastic fixing plate	80	Black aluminium	XVB Z02	0.110
		Aluminium	XVB Z02A	0.110
	380	Black aluminium	XVB Z03	0.200
		Aluminium	XVB Z03A	0.200
	780	Black aluminium	XVB Z04	0.325
		Aluminium	XVB Z04A	0.325

Description	Details	Colour	Reference	Weight kg
Fixing base (plastic support tube with integral fixing plate)	100 mm	Black	XVD C02	0.070
Fixing plate (Zamak) for use on vertical support	Direct mounting on base unit or using support tube with integral fixing plate XVD C02 or using fixing bases XVB Z0●		XVB C12	0.380
Cover only	-			0.020

Description	Characteristics	Sold in lots of	Unit reference	Weight kg
Incandescent bulbs BA 15d base fitting	12 V	10	DL1 B●J (1)	0.090
	24 V	10	DL1 B●B (1)	0.090
	48 V	10	DL1 B●E (1)	0.090
	120 V	10	DL1 B●G (1)	0.090
	230 V	10	DL1 B●M (1)	0.090

LEDs BA 15d base fitting	Voltage	Colour	Quantity	Unit reference	Weight kg
Protected LED	~ 24 V	White	1	DL1 BDB1	0.015
		Green	1	DL1 BDB3	0.015
		Red	1	DL1 BDB4	0.015
		Orange	1	DL1 BDB5	0.015
		Blue	1	DL1 BDB6	0.015
		Yellow	1	DL1 BDB8	0.015
	~ 120 V	White	1	DL1 BDG1	0.015
		Green	1	DL1 BDG3	0.015
		Red	1	DL1 BDG4	0.015
		Orange	1	DL1 BDG5	0.015
		Blue	1	DL1 BDG6	0.015
		Yellow	1	DL1 BDG8	0.015
	~ 230 V	White	1	DL1 BDM1	0.015
		Green	1	DL1 BDM3	0.015
		Red	1	DL1 BDM4	0.015
		Orange	1	DL1 BDM5	0.015
Blue		1	DL1 BDM6	0.015	
Yellow		1	DL1 BDM8	0.015	

Flashing LEDs BA 15d base fitting	Voltage	Colour	Quantity	Unit reference	Weight kg
Protected LED	~ 24 V	White	1	DL1 BKB1	0.015
		Green	1	DL1 BKB3	0.015
		Red	1	DL1 BKB4	0.015
		Orange	1	DL1 BKB5	0.015
		Blue	1	DL1 BKB6	0.015
		Yellow	1	DL1 BKB8	0.015
	~ 120 V	White	1	DL1 BKG1	0.015
		Green	1	DL1 BKG3	0.015
		Red	1	DL1 BKG4	0.015
		Orange	1	DL1 BKG5	0.015
		Blue	1	DL1 BKG6	0.015
		Yellow	1	DL1 BKG8	0.015
	~ 230 V	White	1	DL1 BKM1	0.015

Signalling solutions

Modular tower lights

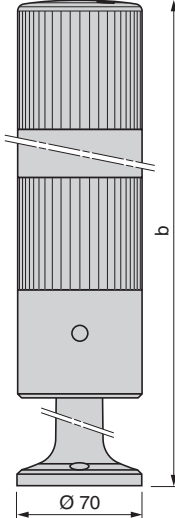
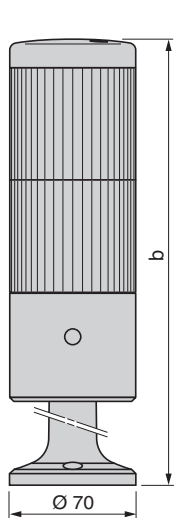
Harmony type XVD Ø 70 mm

Pre-cabled tower lights and tower lights for customer assembly (up to 5 units)

Pre-cabled tower lights XVD ●●●●

Without "flash" discharge tube

With "flash" discharge tube



Number of illuminated or audible signalling units (no "flash")	b
2	302
3	365
4	428

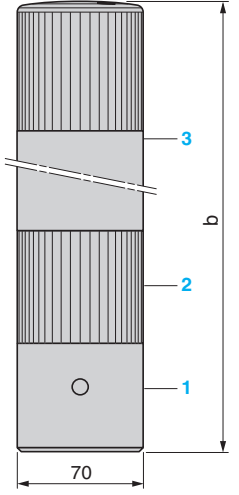
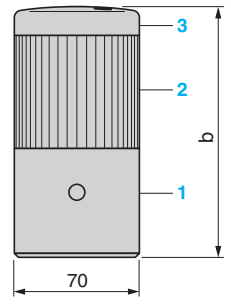
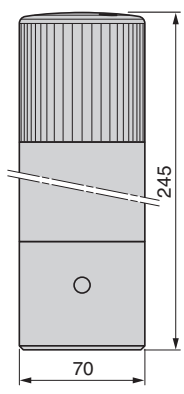
Number of illuminated or audible signalling units other than "flash"	b
2	405
3	468

Customer assembled tower lights XVD C●●●

With "flash" discharge tube, XVD L6●●

Without "flash" discharge tube

With "flash" discharge tube



- 1 Base unit XVD C21 (1)
- 2 Illuminated unit XVD C3●/C4●● or audible unit XVD C9●
- 3 Cover (1)

- 1 Base unit XVD C07
- 2 Illuminated unit XVD C6●● or audible unit XVD C9●
- 3 "Flash" unit XVD C6●●

Number of illuminated or audible signalling units (no "flash")	b
1	140

Number of illuminated or audible signalling units other than "flash"	b
1	308

Signalling solutions

Modular tower lights

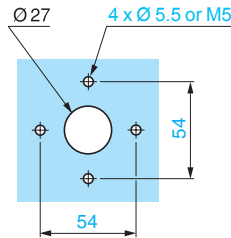
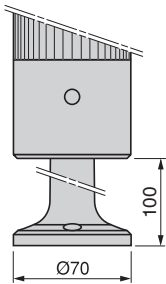
Harmony type XVD Ø 70 mm

Pre-cabled tower lights and tower lights for customer assembly (up to 5 units)

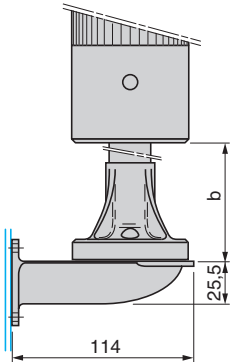
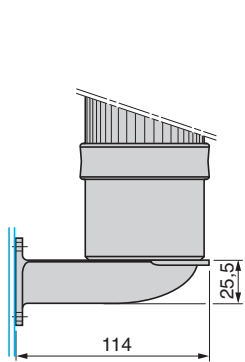
XVB Z0● (aluminium support tube with plastic fixing plate) **With fixing base XVD C02 (support tube with integral fixing plate)** **Horizontal support panel cut-out for mounting on fixing plate**

Fixing base comprising XVB Z0● (Ø 25 mm support tube 1 glued into plastic fixing plate 2)

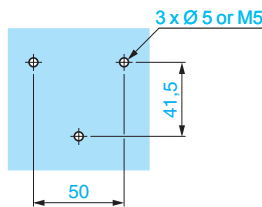
XVB	b
Z02/Z02A	80
Z03/Z03A	380
Z04/Z04A	780



XVB C12 for use on vertical support base unit **Mounting using fixing bases XVB Z0● or XVD C02** **Vertical support panel drillings for fixing plate XVB C12**

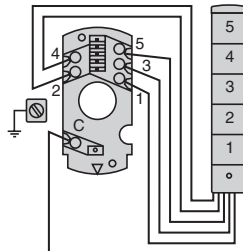
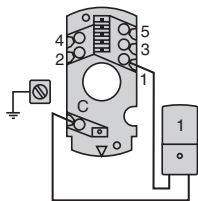
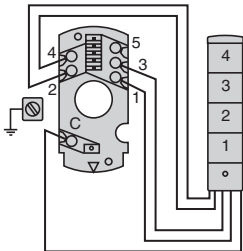


Fixing bases	b
XVB Z02/Z02A	80
XVB Z03/Z03A	380
XVB Z04/Z04A	780
XVD C02	100



4

Customer assembled tower lights



sembled products:

ble signal for buzzers type XVD C9●

located in the base of the buzzer:

- 1 and 2 for selecting continuous or intermittent mode (Hz).
- 3 and 4 for selecting the audible signal power (dB).

Signalling solutions

Rotating beacons Harmony type XVR (equipped with Super Bright LED)

The Harmony XVR range are optical signalling units designed for long distance signalling applications.

the iron and steel industry, on industrial handling vehicles or for safety applications.

Characteristics

		XVR 08	XVR 10	XVR 12	XVR 13B●● XVR 13J●●	XVR 13●●●L
		CE, UL and CSA				
		EN/IEC 61000-6-2, EN/IEC 61000-6-4				EN/IEC 60947-1, EN/IEC 60947-5-1
		"TC"				
For storage	°C	- 35...+ 70				
For operation	°C	- 10...+ 50			- 30...+ 50	
		Class II				
		IP 23 (IP 65 with accessory)	IP 23 (IP 55 with accessory)	IP 23	IP 66 (resistant to vibration)	IP 66 and IP 67
Domed lens unit		PC				
Base		ABS				
		Super Bright LED				

Characteristics

		XVR 08J XVR 10J XVR 12J XVR 12J●●S	XVR 08B XVR 10B XVR 12B XVR 12B●●S XVR 13B●●L	XVR 13J	XVR 13B	XVR 13G●●L	XVR 13M●●L
	V	≈ 12	≈ 24	≈ 12	≈ 24	~ 120	~ 230
	kV	0.8				4	
Without buzzer	W	3.2				5	
With buzzer (for XVR 12●●●S)	W	4	4.7	-			
For XVR 12●●●S Sound level at 1 m	dB	50...90					
Flashed units	Hz	2.3 2.7 for XVR 13					
Wire c.s.a	mm ²	0.83 mm ² / SPT-1 AWG 18 (1) for XVR 08●, XVR 10● and XVR 12● 0.83 mm ² / UL1007 AWG 18 (1) for XVR 12●●●S 1.25 mm ² / VCT for XVR 13					
Cable length	mm	400 500 for XVR 08●					

Signalling solutions

Rotating beacons Harmony type XVR (equipped with Super Bright LED)

Complete, pre-cabled rotating beacons

Diameter mm	Sound option	IP degree of protection	Voltage V	Colour	Reference	Weight kg
Ø 84	Without buzzer	IP 23 (IP 65 With accessories)	~ 12	Red	XVR 08J04	0.300
				Orange	XVR 08J05	0.300
				Green	XVR 08J03	0.300
				Blue	XVR 08J06	0.300
			~ 24	Red	XVR 08B04	0.300
				Orange	XVR 08B05	0.300
				Green	XVR 08B03	0.300
				Blue	XVR 08B06	0.300
Ø 106	Without buzzer	IP 23 (IP 55 With accessories)	~ 12	Red	XVR 10J04	0.500
				Orange	XVR 10J05	0.500
				Green	XVR 10J03	0.500
				Blue	XVR 10J06	0.500
			~ 24	Red	XVR 10B04	0.500
				Orange	XVR 10B05	0.500
				Green	XVR 10B03	0.500
				Blue	XVR 10B06	0.500
Ø 120	Without buzzer	IP 23	~ 12	Red	XVR 12J04	0.500
				Orange	XVR 12J05	0.500
				Green	XVR 12J03	0.500
				Blue	XVR 12J06	0.500
			~ 24	Red	XVR 12B04	0.500
				Orange	XVR 12B05	0.500
				Green	XVR 12B03	0.500
				Blue	XVR 12B06	0.500
Ø 120	With buzzer	IP 23	~ 12	Red	XVR 12J04S	0.500
				Orange	XVR 12J05S	0.500
				Green	XVR 12J03S	0.500
				Blue	XVR 12J06S	0.500
			~ 24	Red	XVR 12B04S	0.500
				Orange	XVR 12B05S	0.500
				Green	XVR 12B03S	0.500
				Blue	XVR 12B06S	0.500
Ø 130	Without buzzer	IP 66 Resistant to vibration	~ 12	Red	XVR 13J04	0.800
				Orange	XVR 13J05	0.800
			~ 24	Red	XVR 13B04	0.800
				Orange	XVR 13B05	0.800
		IP 66 and IP 67	~ 24	Red	XVR 13B04L	0.820
				Orange	XVR 13B05L	0.820
			~ 120	Red	XVR 13G04L	0.990
				Orange	XVR 13G05L	0.990
			~ 230	Red	XVR 13M04L	0.990
				Orange	XVR 13M05L	0.990

4

Accessories for rotating beacons

Description	To be used for / with	Diameter mm	Height mm	Reference	Weight kg
Reflecting prism	-	84	-	XVR ZR1	0.010
		106	-	XVR ZR2	0.015
		120/130	-	XVR ZR3	0.020
Rubber base	Increasing the IP	84	-	XVR Z081	0.040

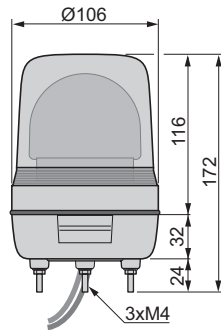
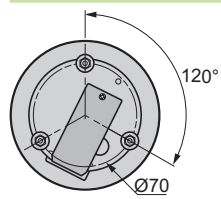
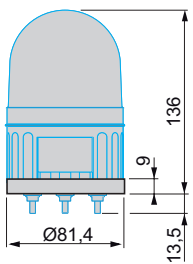
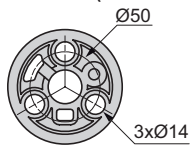
Signalling solutions

Rotating beacons Harmony type XVR (equipped with Super Bright LED)

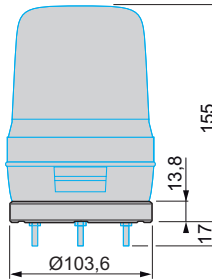
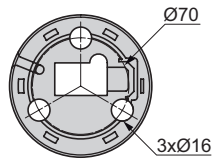
LED rotating beacons

XVR 10●0●

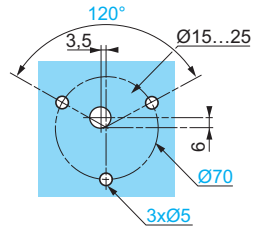
XVR Z081 (rubber base-optional part)



XVR Z082 (rubber base-optional part)



Panel cut-out



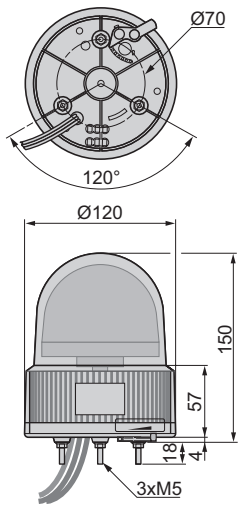
S (continued)

Signalling solutions

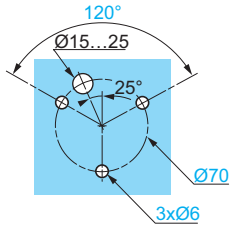
Rotating beacons Harmony type XVR
(equipped with Super Bright LED)

cabled rotating beacons (continued)

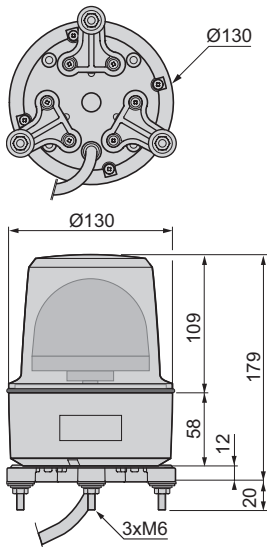
XVR 12●0●S



Panel cut-out



XVR 13●0●L



Panel cut-out



Signalling solutions

Sound solutions Harmony type XVS

Sirens and electronic alarms

and electronic alarms are audible signalling units used for long distance indication of the operating status or sequences of operation.

on conveyor belts, on automated industrial trucks and on the doors of electrical control panels.

		XVS 10BMW	XVS 10GMW 10MMW	XVS 14BMW	XVS 14GMW 14MMW	XVS 72BM●●	XVS 96BM●●
Characteristics							
		CE, UL and CSA					
		EN/IEC 60947-1, EN/IEC 60947-5-1		EN/IEC 61000-6-2, EN/IEC 61000-6-3	EN/IEC 60947-1, EN/IEC 60947-5-1	EN/IEC 61000-6-2, EN/IEC 61000-6-3	EN/IEC 60947-1, EN/IEC 60947-5-1
		"TC"					
Storage	°C	- 35... + 70					
Operation	°C	- 30... + 50		- 10... + 50		- 20... + 50	
		Class II					
		IP 53				IP 54	
Terminal cover		-				PC	
Base		PC		PC/ABS		ABS	PC or ABS
Number of options (tones)		2		43		16	
Technical data							
	V	~ 12-24	~ 120 ~ 230	~ 12/24	~ 120 ~ 240	~ 12/24	
		0.8	4	0.8	4	0.8	
		~ 12 V: 500 mA ~ 24 V: 300 mA	~ 120 V: 80 mA ~ 230 V: 40 mA	~ 12 V: 250 mA ~ 24 V: 350 mA	~ 120 V: 100 mA ~ 240 V: 50 mA	~ 12 V: 1.9 / 1.4 W ~ 24 V: 4.8 / 3 W	~ 12 V: 3.5 / 3 W ~ 24 V: 8.5 / 7 W
Sound level (continuous or intermittent tone) at 1 m	dB	106		0...105		0...90	0...96
Cable diameter		Cable-gland for using 6.5 to 8.5 mm cables		Power wire c.s.a.: 0.52 mm ² / AWG 20 (1) Signal wire c.s.a.: 0.33 mm ² / AWG 22 (1)		-	
Maximum clamping capacity	mm ²	1 x 1.5		-		1 x 1.5	
Cable length	mm	-		500		-	

auge.

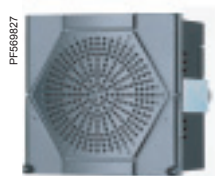
Signalling solutions

Sound solutions Harmony type XVS

Sirens and electronic alarms



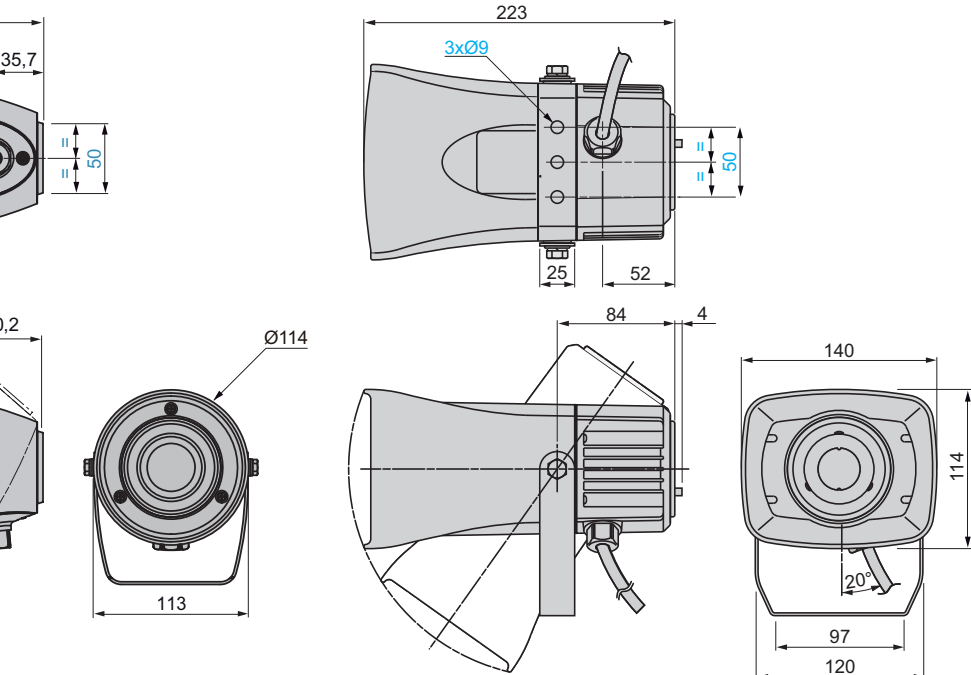
XVS 14●MW



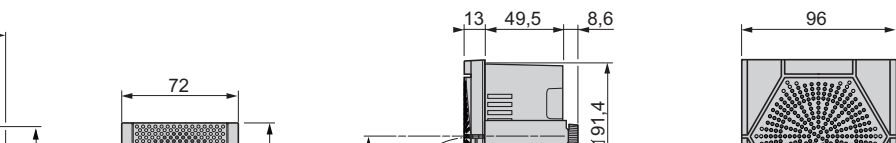
XVS 96BM●●

Description	Voltage V	Colour	Reference	Weight kg
Sirens 106 dB, 2 tones	~ 12-24	White	XVS 10BMW	0.800
	~ 120	White	XVS 10GMW	1.000
	~ 230	White	XVS 10MMW	1.000
Multisound siren 105 dB, 43 tones 8 channels Pre-wired	~ 12/24	White	XVS 14BMW	1.000
	~ 120	White	XVS 14GMW	1.200
	~ 240	White	XVS 14MMW	1.200
Electronic alarms 90 dB, 16 tones Panel Mount DIN72 4 channels	~ 12/24	PNP, Black	XVS 72BMBP	0.180
		PNP, White	XVS 72BMWP	0.180
		NPN, Black	XVS 72BMBN	0.180
		NPN, White	XVS 72BMWN	0.180
Electronic alarms 96 dB, 16 tones Panel Mount DIN96 4 channels	~ 12/24	PNP, Black	XVS 96BMBP	0.400
		PNP, White	XVS 96BMWP	0.400
		NPN, Black	XVS 96BMBN	0.400
		NPN, White	XVS 96BMWN	0.400

XVS 14●MW



XVS 96BM●●



X-ON Electronics

Largest Supplier of Electrical and Electronic Components

Click to view similar products for [Audio Indicators & Alerts](#) category:

Click to view products by [Schneider](#) manufacturer:

Other Similar products are found below :

[M2BJ-BH24E](#) [6-4](#) [68S1240-PA](#) [MBA-624](#) [F/BC 40P-DR LF](#) [FDG111PLF](#) [F/NRMB 24 BLACK LF](#) [PF-35N29WQ](#) [PFD-27A35PQ](#) [PL-27A35PSQ](#) [PS-531Q](#) [AB2020B-2-LW1](#) [EBPT-401](#) [PB06SD12AP](#) [PB-1220PEQ](#) [S6109](#) [SC2036ACP](#) [SC616N-2](#) [SC628FW](#) [SC628MPG](#) [SC648D](#) [SCS045MD9DT3S](#) [AB2025B-LW50-R](#) [ESZ-25B-5-250B](#) [F/BC 35-DR LF](#) [FCM12PLF](#) [F/EB20P-DR LF](#) [F/HU110MP24V-IP67B](#) [LF](#) [AI-2835-TF-LW150-2-R](#) [AI-4228-TF-LW305-R](#) [FSMD8585JSLF](#) [FSS-26T](#) [F/SU 21-02 LF](#) [F/TCW 05 WITH LABEL LF](#) [F/UCW 03 WITH LABEL LF](#) [F/UCW 06 WITH LABEL LF](#) [PKM22EPPH40S1-B0](#) [PKM35-4A0](#) [PL-35N29WQ](#) [PLD-27A35PQ](#) [PS-552Q](#) [CM-5](#) [M2BJ-BH24E-D](#) [REF-202](#) [LSC628ANR](#) [5-100](#) [PAL-328](#) [03-810.001](#) [RTO-1R07-001](#) [PL-21N31PQ](#) [PF-27A25PSQ](#)