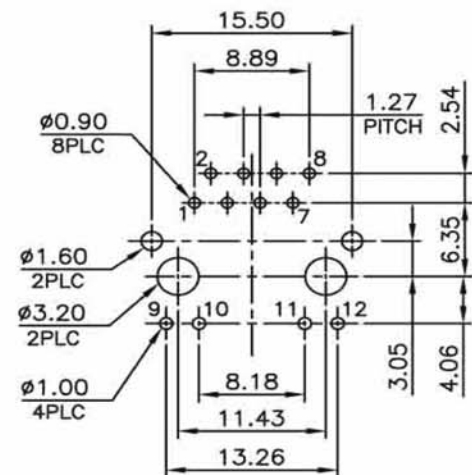


NOTE:
CAVITY CONFIRMS TO FCC RULES AND REGULATIONS PART 68, SUBPART F.

- MATERIAL:
 - HOUSING: PA46, WITH GLASS FIBER, UL94V-0, STANDARD COLOR-BLACK.
 - INSERT HOUSING: PA46, WITH GLASS FIBER, UL94V-0, STANDARD COLOR-BLACK.
 - CONTACTS: PHOSPHOR BRONZE.
 - SHELL: BRASS.
 - LED SOLDER TAIL: STEEL.
- FINISH:
 - CONTACTS: GOLD PLATED ON CONTACT AREA, GOLD FLASH ON SOLDER TAIL, 1.27µm [50µ"] MIN. NICKEL UNDERPLATED OVERALL.
 - SHELL: 0.508µm [20µ"] MIN. NICKEL PLATED.
 - LED SOLDER TAIL: 2.032µm [80µ"] MIN. TIN PLATED.



RECOMMENDED PCB LAYOUT
PCB THICKNESS: 1.6mm
TOLERANCE: ±0.05mm (TOP VIEW)

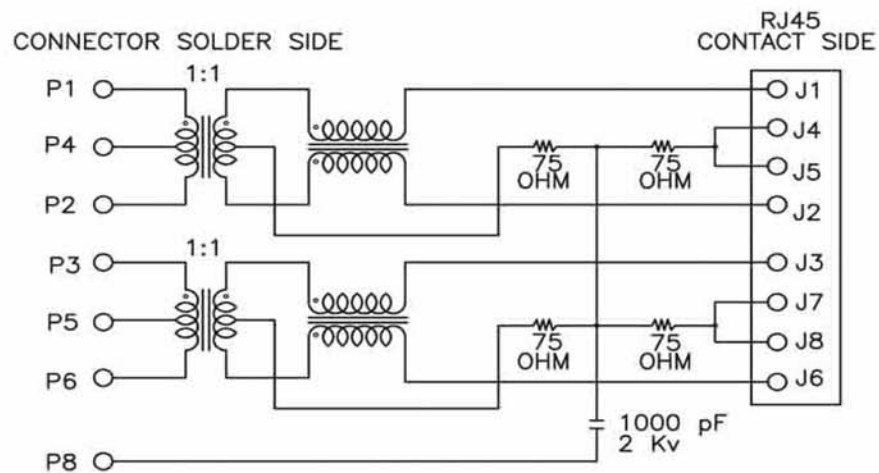


TOLERANCE (mm)	APPROVALS	DATE	TITLE	Amphenol Amphenol European Design Center	
X.X +/-0.30	DRAWN Stephane	05/Mar/2018	Transformer RJ45 Dip Side Entry w/LED	Scale N.A.	Sheet 1 of 2
X.XX +/-0.20	CHECKED Rob	05/Mar/2018			
X.XXX +/-0.10	APPROVED Rob	05/Mar/2018			
Angle +/-3°					
UNLESS OTHERWISE SPECIFIED		UNIT: mm	SIZE: A4	Drawing No LMJ199882X130DL1TOJ	REV. C

ELECTRICAL CHARACTERISTICS

TEST NOTES: (25±5°C)

Item	Parameter	Condition	Min.	Typ.	Max.	Unit	REMARK
1	Insertion loss	1-100 MHz			-1	dB	
2	Return loss	1-30 MHz	-20			dB	
		30-60 MHz	-15			dB	
		60-80 MHz	-11			dB	
3	Primary Inductance @100KHz, 0.1Vrms, 8mA DC BIAS	(1-2), (3-6)	350			uH	
4	Crosstalk	1-100 MHz	-30			dB	
5	Hipot	Vrms	1.5			kV	



CONNECTOR SCHEMATIC

Ordering Information

LMJ199882X130DL1TOJ

a

- a: Contact plating
- 1: 15u"gold
- 2: 30u"gold
- 3: 50u"gold
- 4: 6u"gold



TOLERANCE (mm)	APPROVALS	DATE	TITLE Transformer RJ45 Dip Side Entry w/LED	Amphenol Amphenol European Design Center	
	DRAWN Stephane	05/Mar/2018			
	X.X +/-0.30	CHECKED Rob		05/Mar/2018	
X.XX +/-0.20	APPROVED Rob	05/Mar/2018	UNIT: mm	SIZE: A4	Drawing No
X.XXX +/-0.10					LMJ199882X130DL1TOJ
Angle +/-3°					REV. C
UNLESS OTHERWISE SPECIFIED					

X-ON Electronics

Largest Supplier of Electrical and Electronic Components

Click to view similar products for [Modular Connectors](#) / [Ethernet Connectors](#) category:

Click to view products by [Amphenol](#) manufacturer:

Other Similar products are found below :

[RJE231881317T](#) [MP1010RX-1000](#) [MP44RX-1000](#) [GAX-3-66](#) [GAX-8-62](#) [93606-0253](#) [GD-A-44](#) [GDCX-PA-66-50](#) [GDCX-PN-64](#) [GDCX-PN-66](#) [GDCX-PN-66-50](#) [GDLX-A-66](#) [GDLX-A-88](#) [GDLX-N-66](#) [GDLX-S-88K](#) [GDTX-S-88-50](#) [GDX-PA-1010](#) [GLX-N-1010M-BLK](#) [GLX-N-44M](#) [GLX-S-88M-BLK](#) [GMX-N-1010](#) [GMX-S-1010](#) [GMX-S-66](#) [GMX-SMT2-N-1010](#) [GMX-SMT2-N-64-50](#) [GMX-SMT2-S6-88](#) [GMX-SMT4-N-88](#) [GPX-2-64](#) [GRT1-BT1-5](#) [GSGX-N-2-88](#) [GSX-NS2-88-3.05](#) [GSX-NS2-88-3.05-50](#) [GSX-NS-88-3.05-30](#) [GSX-NS-88-3.05-50](#) [GSX-NS-88-3.68](#) [1-1775629-2](#) [GWLX-S-88-GR](#) [GWLX-S9-88-YG](#) [1300500326](#) [1300500227](#) [1300530003](#) [1300570002](#) [1324640-4](#) [RJ11FTVC2G](#) [RJ11FTVC2N](#) [RJFTVX2SA1G](#) [132764-001](#) [1400000](#) [1413176](#) [1413235](#)