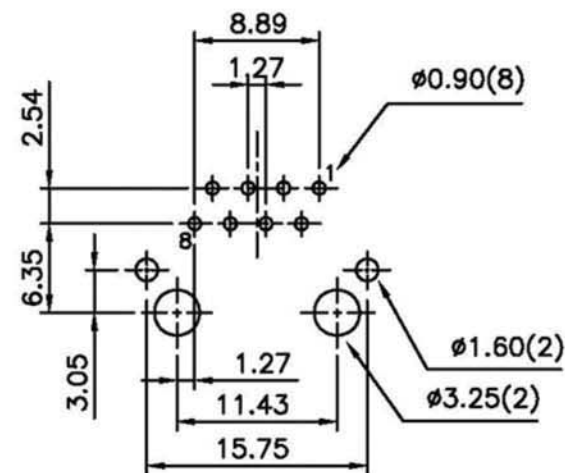
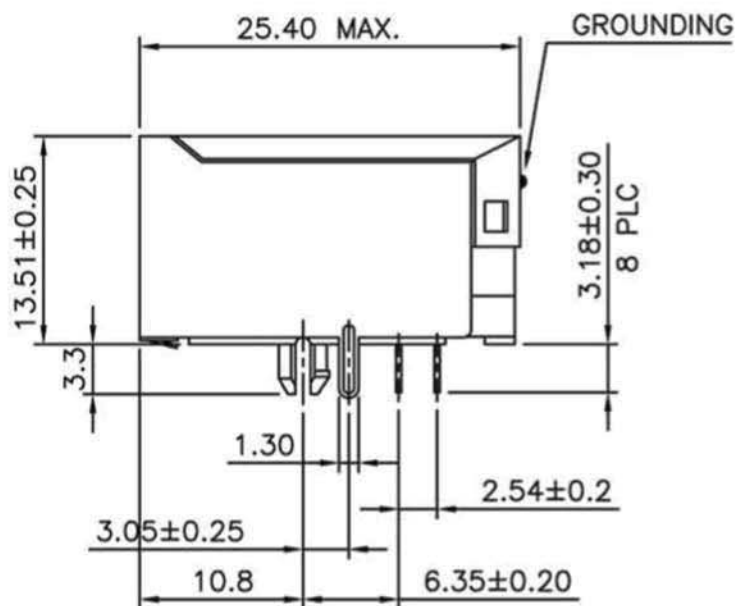
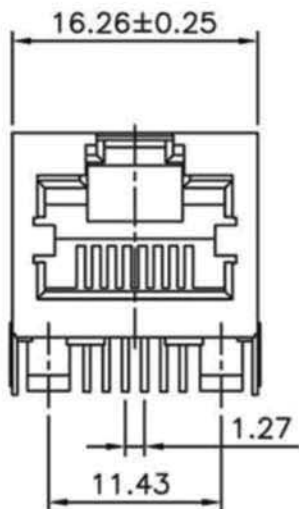
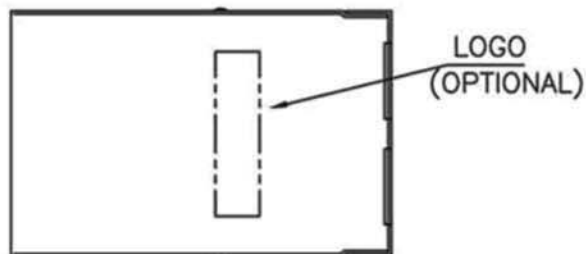


MATERIAL:

- HOUSING— DSM STANYL TE250F6
HEAT DEFLECTION TEMP.290
COLOR—BLACK.UL-94V-0
- CONTACTS—0.35mm THICK PHOS-BRONZE PLATED
WITH HARD GOLD AND TIN ON SOLDER
AREA.
- SHIELD—0.20mm THICK COPPER ALLOY,
PLATED WITH NICKEL

CAVITY CONFIRMS TO FCC RULES AND REGULATIONS
PART 68,SUBPART F.



PCB LAYOUT
Ref.



TOLERANCE (mm)	APPROVALS	DATE	TITLE	AMPHENOL Amphenol European Design Center	
X, ±0.3	DRAWN Stephane	06/Jul/2010	Transformer RJ45 R/A Dip	Scale N.A.	Sheet 1 of 2
X.X ±0.2	CHECKED Rob	06/Jul/2010			
X.XX ±0.15	APPROVED Rob	06/Jul/2010			
UNLESS OTHERWISE SPECIFIED	UNIT: mm	SIZE: A4	DRAWING N°	LMJ201881X100DT4	REV. A

Specification :

Item	Parameter	Condition	Min.	Typ.	Max.	Unit	REMARK
1	Insertion loss	@1-65 MHz			-1.0	dB	
2	Return loss	@1-10 MHz	-20			dB	
		@10-30 MHz	-16			dB	
		@30-60 MHz	-12			dB	
		@60-80 MHz	-10			dB	
3	Crosstalk	@1-30 MHz		-40		dB	
		@30-60 MHz		-35		dB	
		@60-100 MHz		-30		dB	
5	Hipot	V _{rms}	1.5			kV	
6	Operating temperature range						NOTE 1

* NOTE 1: 0°C TO +70°C.

Ordering information

LMJ201881X100DT4
a

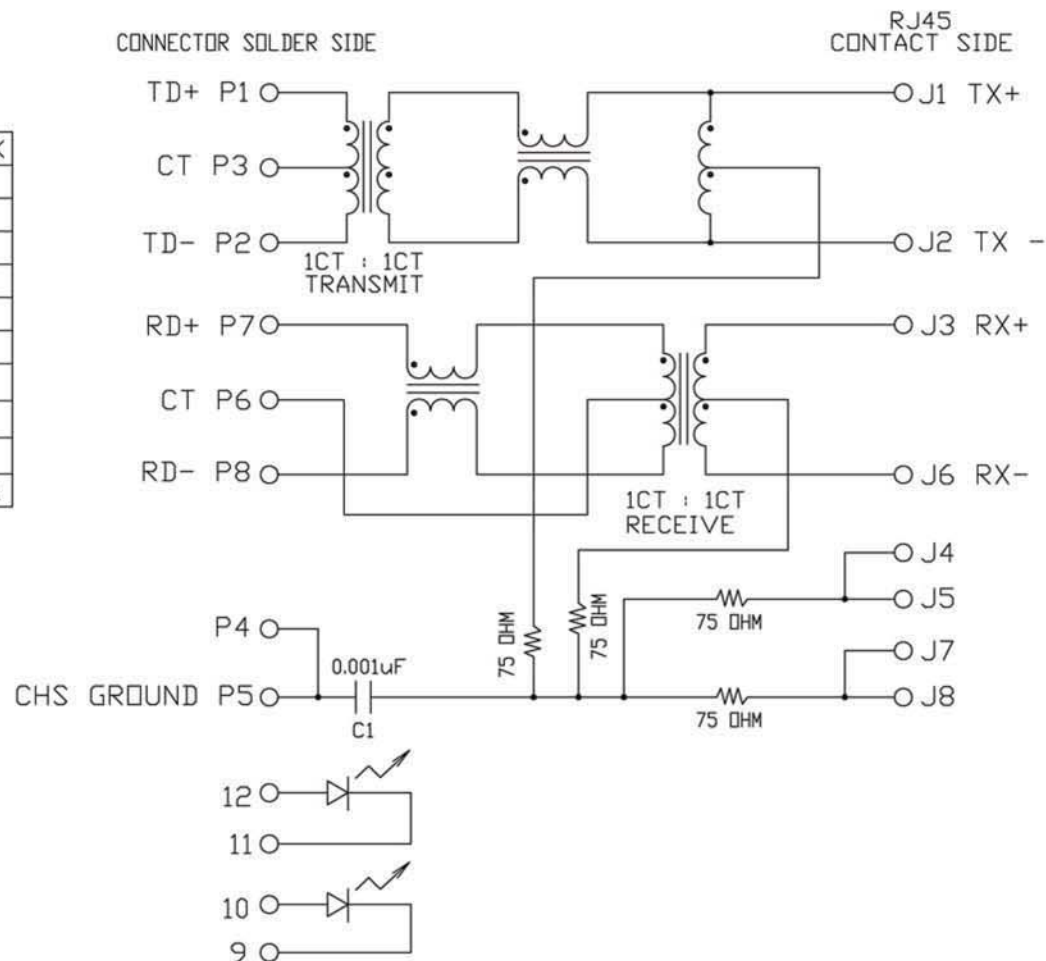
a: Contact plating

1: 15 U" gold

2: 30U" gold

3: 50U" gold

4: 6U" gold



NOTE: CONNECT CHS GND TO PCB GROUND.
CONNECTOR SCHEMATIC



TOLERANCE (mm)	APPROVALS	DATE	TITLE	AMPHENOL
X, ±0.3	DRAWN Stephane	06/Jul/2010	Transformer RJ45 R/A Dip	Amphenol European Design Center
X.X ±0.2	CHECKED Rob	06/Jul/2010		
X.XX ±0.15	APPROVED Rob	06/Jul/2010		Scale N.A. Sheet 2 of 2
UNLESS OTHERWISE SPECIFIED	UNIT: mm	SIZE: A4	DRAWING N°: LMJ201881X100DT4	REV. A

X-ON Electronics

Largest Supplier of Electrical and Electronic Components

Click to view similar products for [Modular Connectors](#) / [Ethernet Connectors](#) category:

Click to view products by [Amphenol](#) manufacturer:

Other Similar products are found below :

[RJE231881317T](#) [MP1010RX-1000](#) [MP44RX-1000](#) [GAX-3-66](#) [GAX-8-62](#) [93606-0253](#) [GD-A-44](#) [GDCX-PA-66-50](#) [GDCX-PN-64](#) [GDCX-PN-66](#) [GDCX-PN-66-50](#) [GDLX-A-66](#) [GDLX-A-88](#) [GDLX-N-66](#) [GDLX-S-88K](#) [GDTX-S-88-50](#) [GDX-PA-1010](#) [GLX-N-1010M-BLK](#) [GLX-N-44M](#) [GLX-S-88M-BLK](#) [GMX-N-1010](#) [GMX-S-1010](#) [GMX-S-66](#) [GMX-SMT2-N-1010](#) [GMX-SMT2-N-64-50](#) [GMX-SMT2-S6-88](#) [GMX-SMT4-N-88](#) [GPX-2-64](#) [GRT1-BT1-5](#) [GSGX-N-2-88](#) [GSX-NS2-88-3.05](#) [GSX-NS2-88-3.05-50](#) [GSX-NS-88-3.05-30](#) [GSX-NS-88-3.05-50](#) [GSX-NS-88-3.68](#) [1-1775629-2](#) [GWLX-S-88-GR](#) [GWLX-S9-88-YG](#) [1300500326](#) [1300500227](#) [1300530003](#) [1300570002](#) [1324640-4](#) [RJ11FTVC2G](#) [RJ11FTVC2N](#) [RJFTVX2SA1G](#) [132764-001](#) [1400000](#) [1413176](#) [1413235](#)