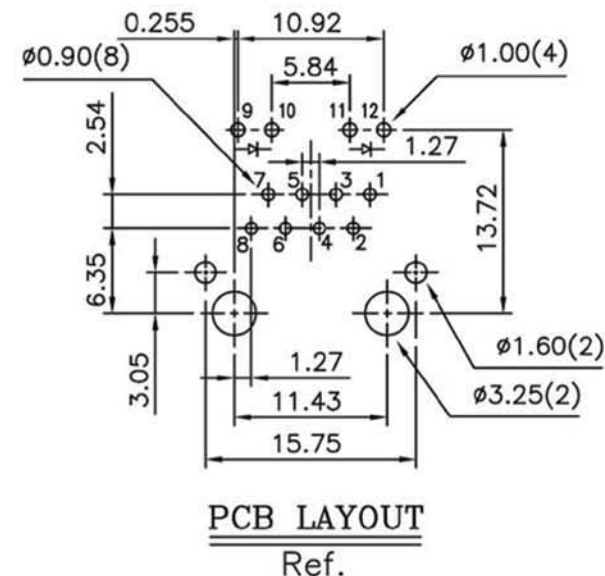
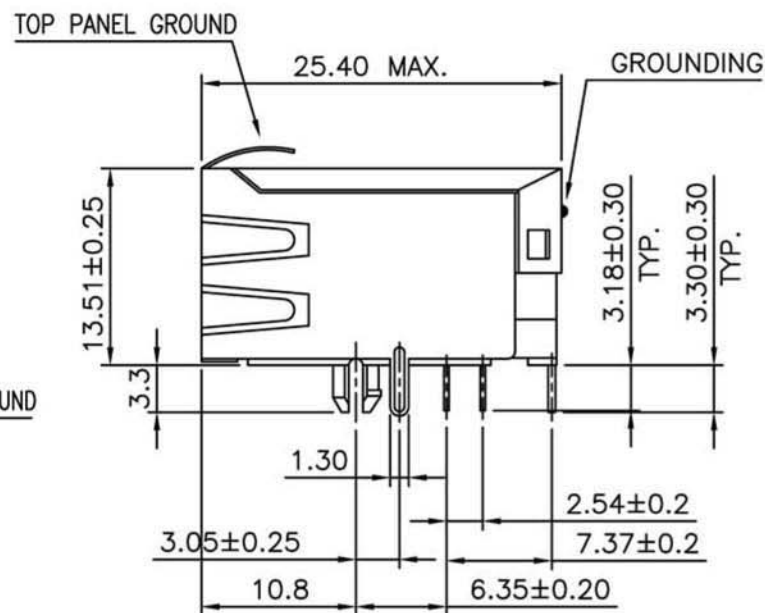
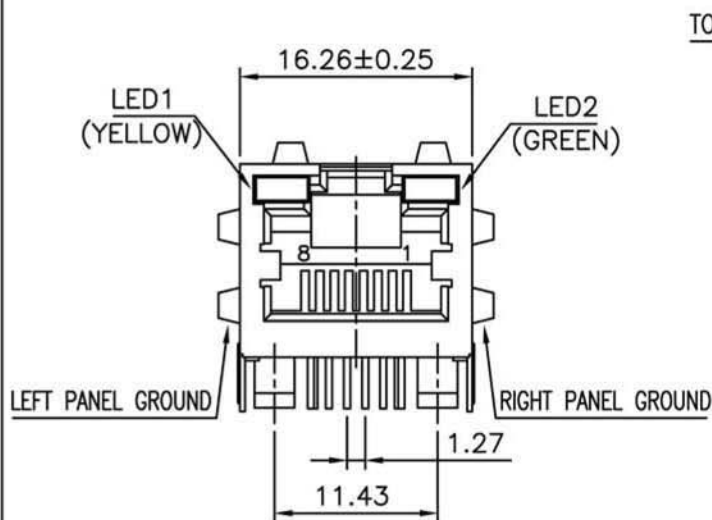


MATERIAL:

- HOUSING—DSM STANYL TE250F6 (NYLON-46)
HEAT DEFLECTION TEMP.290°
BLACK COLOR, UL94V-0.
- CONTACTS—0.35mm THICK PHOS-BRONZE PLATED
WITH HARD GOLD AND GOLD FLASH ON
SOLDER AREA.
- SHIELD—0.20mm THICK COPPER ALLOY,
PLATED WITH NICKEL.

CAVITY CONFIRMS TO FCC RULES AND REGULATIONS
PART 68,SUBPART F.



TOLERANCE (mm)	APPROVALS	DATE	TITLE	AMPHENOL Amphenol European Design Center	
X, ±0.3	DRAWN Stephane	06/Jul/2010	Transformer RJ45 R/A Dip w/LED	Scale N.A.	Sheet 1 of 2
X.X ±0.2	CHECKED Rob	06/Jul/2010			
X.XX ±0.15	APPROVED Rob	06/Jul/2010			
UNLESS OTHERWISE SPECIFIED	UNIT: mm	SIZE: A4	DRAWING N°	LMJ201881X130DL1T4	REV. A

Specification :

Item	Parameter	Condition	Min.	Typ.	Max.	Unit	REMARK
1	Insertion loss	@1-65 MHz			-1.0	dB	
2	Return loss	@1-10 MHz	-20			dB	
		@10-30 MHz	-16			dB	
		@30-60 MHz	-12			dB	
		@60-80 MHz	-10			dB	
3	Crosstalk	@1-30 MHz		-40		dB	
		@30-60 MHz		-35		dB	
		@60-100 MHz		-30		dB	
5	Hipot	Vrms	1.5			kV	
6	Operating temperature range						NOTE 1

* NOTE 1: 0°C TO +70°C.

Ordering information

LMJ201881X130DL1T4

a

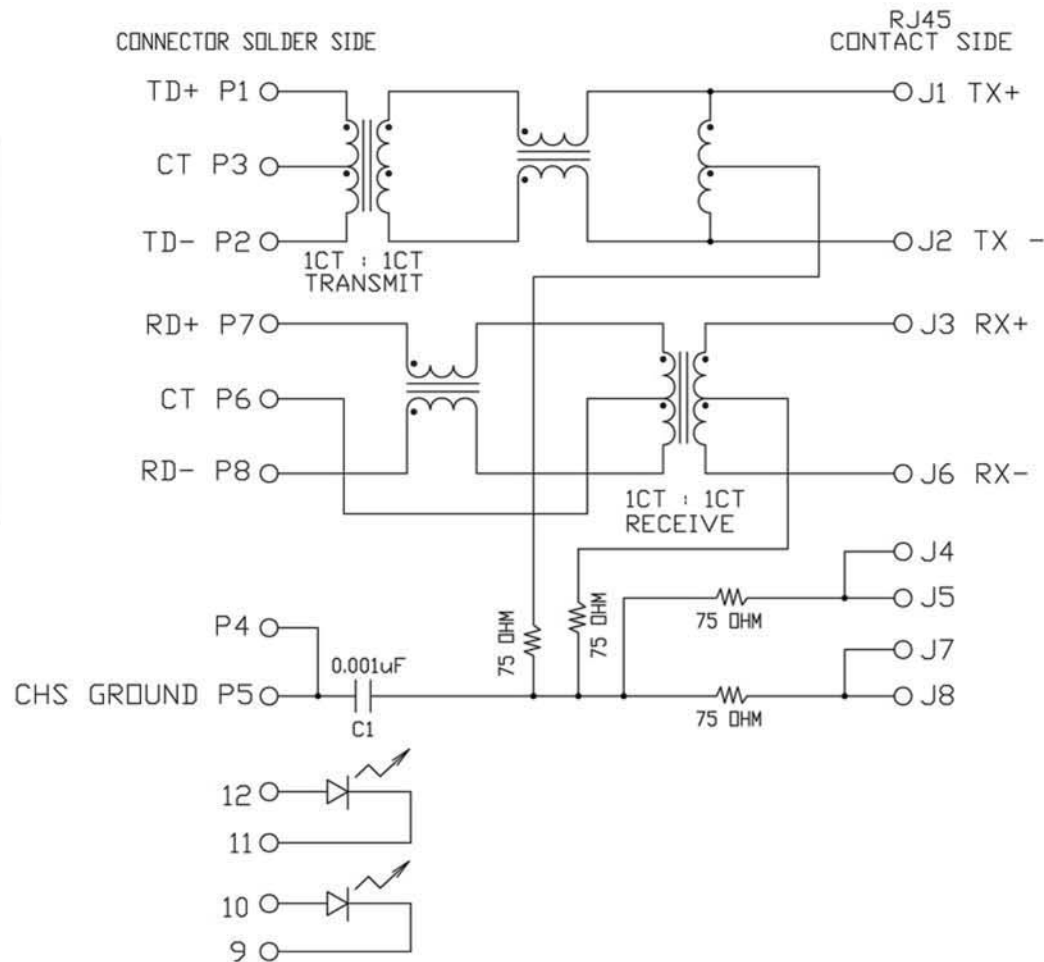
a: Contact plating

1: 15 U" gold

2: 30U" gold

3: 50U" gold

4: 6U" gold



NOTE: CONNECT CHS GND TO PCB GROUND.
CONNECTOR SCHEMATIC

TOLERANCE (mm)	APPROVALS	DATE	TITLE	AMPHENOL Amphenol European Design Center	
X, ±0.3	DRAWN Stephane	06/Jul/2010	Transformer RJ45 R/A Dip w/LED	Scale N.A.	Sheet 2 of 2
X.X ±0.2	CHECKED Rob	06/Jul/2010			
X.XX ±0.15	APPROVED Rob	06/Jul/2010			
UNLESS OTHERWISE SPECIFIED	UNIT : mm		SIZE : DRAWING N° A4	LMJ201881X130DL1T4 REV. A	

X-ON Electronics

Largest Supplier of Electrical and Electronic Components

Click to view similar products for [Modular Connectors](#) / [Ethernet Connectors](#) category:

Click to view products by [Amphenol](#) manufacturer:

Other Similar products are found below :

[RJE231881317T](#) [MP1010RX-1000](#) [MP44RX-1000](#) [GAX-3-66](#) [GAX-8-62](#) [93606-0253](#) [GD-A-44](#) [GDCX-PA-66-50](#) [GDCX-PN-64](#) [GDCX-PN-66](#) [GDCX-PN-66-50](#) [GDLX-A-66](#) [GDLX-A-88](#) [GDLX-N-66](#) [GDLX-S-88K](#) [GDTX-S-88-50](#) [GDX-PA-1010](#) [GLX-N-1010M-BLK](#) [GLX-N-44M](#) [GLX-S-88M-BLK](#) [GMX-N-1010](#) [GMX-S-1010](#) [GMX-S-66](#) [GMX-SMT2-N-1010](#) [GMX-SMT2-N-64-50](#) [GMX-SMT2-S6-88](#) [GMX-SMT4-N-88](#) [GPX-2-64](#) [GRT1-BT1-5](#) [GSGX-N-2-88](#) [GSX-NS2-88-3.05](#) [GSX-NS2-88-3.05-50](#) [GSX-NS-88-3.05-30](#) [GSX-NS-88-3.05-50](#) [GSX-NS-88-3.68](#) [1-1775629-2](#) [GWLX-S-88-GR](#) [GWLX-S9-88-YG](#) [1300500326](#) [1300500227](#) [1300530003](#) [1300570002](#) [1324640-4](#) [RJ11FTVC2G](#) [RJ11FTVC2N](#) [RJFTVX2SA1G](#) [132764-001](#) [1400000](#) [1413176](#) [1413235](#)