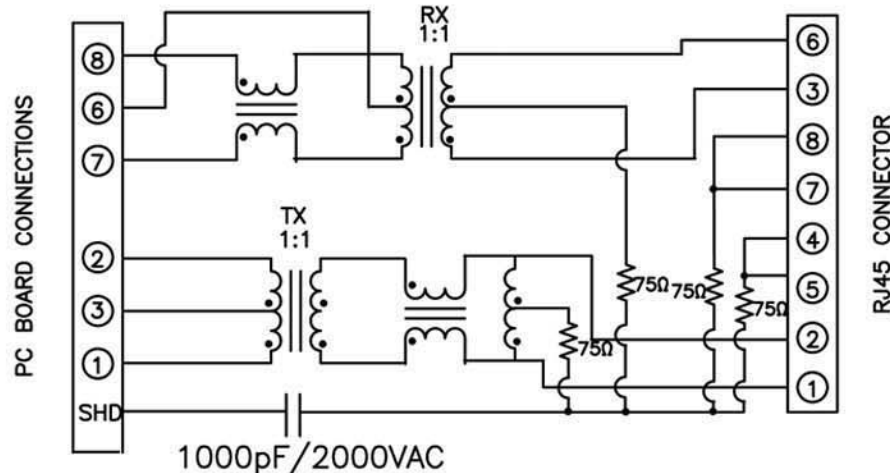


Schematic:



NOTES:

Characteristics Description:

1. RJ45 10/100 Base-Tx Transformer Jack With Transformer/ Impedance Resistor/High Voltage Capacitor.
2. Size Same As RJ-45 Modular Jack To Save PCB Board Space.
3. Reduce EMI Radiation, Improve EMI Performance.
4. Designed For Network Interface Card Application.
5. Designed To Meet IEEE 802.3u Requirement.
6. Designed For 100 Base Transmission over UTP-5 Cable.

Electrical Specification:

1. Inductance At 100 KHZ, 100 mV,8mA DC Bias: 350 uH MIN
2. C W/W (PF MAX): 40 PF
3. Leakage Inductance At 100 KHZ DC 100 mV: 0.3 uH MAX
4. Insertion Loss: -1.1 dB MAX @ 1~100 MHZ
5. Return Loss:
 - 18 dB MIN @ 0.1~15MHZ
 - 18 dB MIN @ 15.1~60 MHZ
 - 15 dB MIN @ 60.1~80 MHZ
 - 12 dB MIN @ 80.1~100 MHZ
6. Cross Talk: -35 dB MIN @ 1-80 MHZ
7. Common Mode Rejection: -35 dB Min @ 1~100MHZ.
8. ISOLATION VOLTAGE @60HZ:1500Vrms(INPUT TO OUTPUT) 60SEC

Mechanical:

1. Housing Material : Glass Filled Polyester UL94V0.
2. Contact Material : Phosphor Bronze t=0.35mm.
3. Shield : Copper Alloy,50u Nickel Plating.
4. Plating : 1: Contact Area- Selective Gold Plating Over Nickel.
2: Tails- 120u Tin Over 50u Nickel.
5. Operating Life : 750 Cycles Min.
6. Pcb Retention Pre-Solder : 1 Lb Min.
7. Pcb Retention Post-Solder : 10 Lbs Min.

LED SPECIFICATIONS:

	YELLOW	GREEN
- COLOR:	YELLOW	GREEN
- FORWARD VOLTAGE(20mA)	2.5V(MAX)	2.5V(MAX)
- FORWARD VOLTAGE(20mA)	2.1V(TYP)	2.2V(TYP)
- POWER DISSIPATION:	105mW	105mW
- WAVE LENGTH:	590nm	565nm
- LUMINOUS INTENSITY(10mA):	2-8MCD	8-32MCD

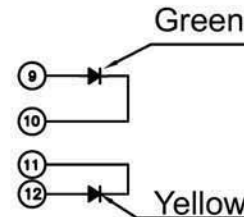
Environmental:

1. Storage : -40°C To+85°C.
 2. Operation : -40°C To+85°C.
 3. Wave Soldering Temperature: 230~250°C (5~10 SECONDS)
- Mates With Modular Plug Conforming To
Fcc Part 68, Subpart F.

Ordering Information

LMJTAB881X43M-L

- Contact Plating
- 1 = 15u" gold
 - 2 = 30u" gold
 - 3 = 50u" gold
 - 4 = 6u" gold
 - 5 = G/F



TOLERANCE (mm)	APPROVALS	DATE	TITLE	AMPHENOL
X, ±0.3	DRAWN Stephane	2014/Jun/30	RJ45 R/A DIP w/LED Tab down w/EMI finger	Amphenol European Design Center
X.X ±0.20	CHECKED Rob	2014/Jun/30		
X.XX ±0.15	APPROVED Rob	2014/Jun/30		
UNLESS OTHERWISE SPECIFIED	UNIT : mm		SIZE : DRAWING N°	Scale N.A. Sheet 1 of 1
			A4	LMJTAB881X43M-L
				REV. C

X-ON Electronics

Largest Supplier of Electrical and Electronic Components

Click to view similar products for [Modular Connectors](#) / [Ethernet Connectors](#) category:

Click to view products by [Amphenol](#) manufacturer:

Other Similar products are found below :

[RJE231881317T](#) [MP1010RX-1000](#) [MP44RX-1000](#) [GAX-3-66](#) [GAX-8-62](#) [93606-0253](#) [GD-A-44](#) [GDCX-PA-66-50](#) [GDCX-PN-64](#) [GDCX-PN-66](#) [GDCX-PN-66-50](#) [GDLX-A-66](#) [GDLX-A-88](#) [GDLX-N-66](#) [GDLX-S-88K](#) [GDTX-S-88-50](#) [GDX-PA-1010](#) [GLX-N-1010M-BLK](#) [GLX-N-44M](#) [GLX-S-88M-BLK](#) [GMX-N-1010](#) [GMX-S-1010](#) [GMX-S-66](#) [GMX-SMT2-N-1010](#) [GMX-SMT2-N-64-50](#) [GMX-SMT2-S6-88](#) [GMX-SMT4-N-88](#) [GPX-2-64](#) [GRT1-BT1-5](#) [GSGX-N-2-88](#) [GSX-NS2-88-3.05](#) [GSX-NS2-88-3.05-50](#) [GSX-NS-88-3.05-30](#) [GSX-NS-88-3.05-50](#) [GSX-NS-88-3.68](#) [1-1775629-2](#) [GWLX-S-88-GR](#) [GWLX-S9-88-YG](#) [1300500326](#) [1300500227](#) [1300530003](#) [1300570002](#) [1324640-4](#) [RJ11FTVC2G](#) [RJ11FTVC2N](#) [RJFTVX2SA1G](#) [132764-001](#) [1400000](#) [1413176](#) [1413235](#)