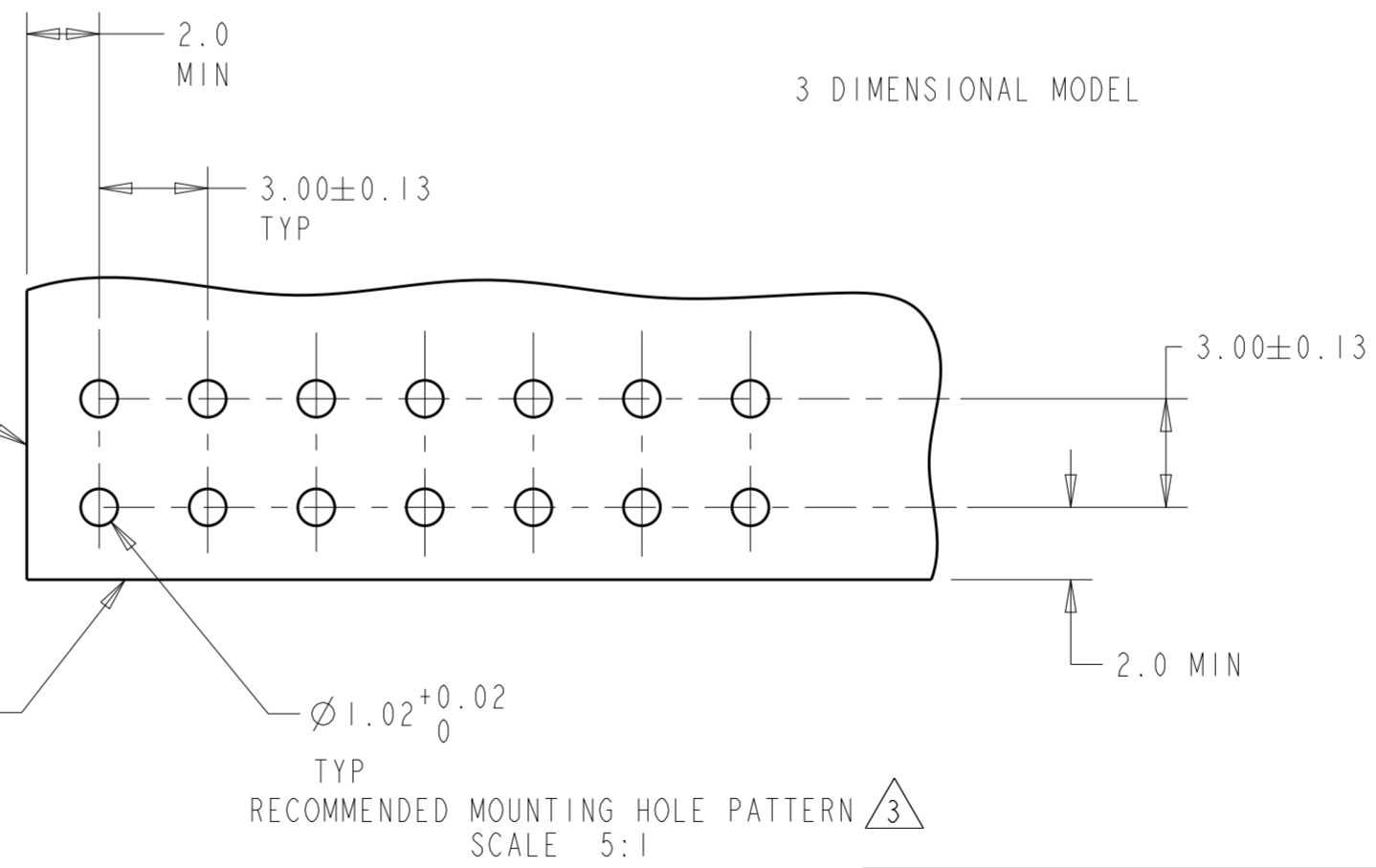
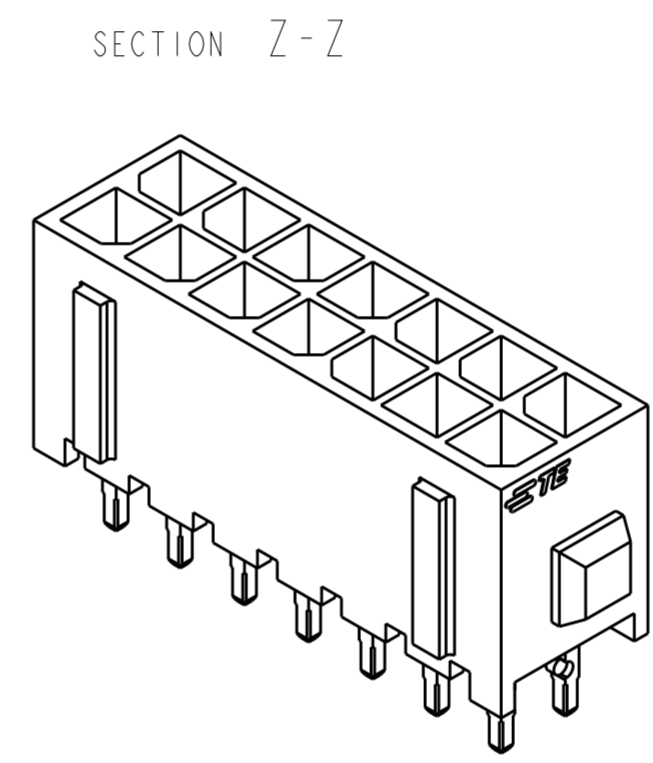
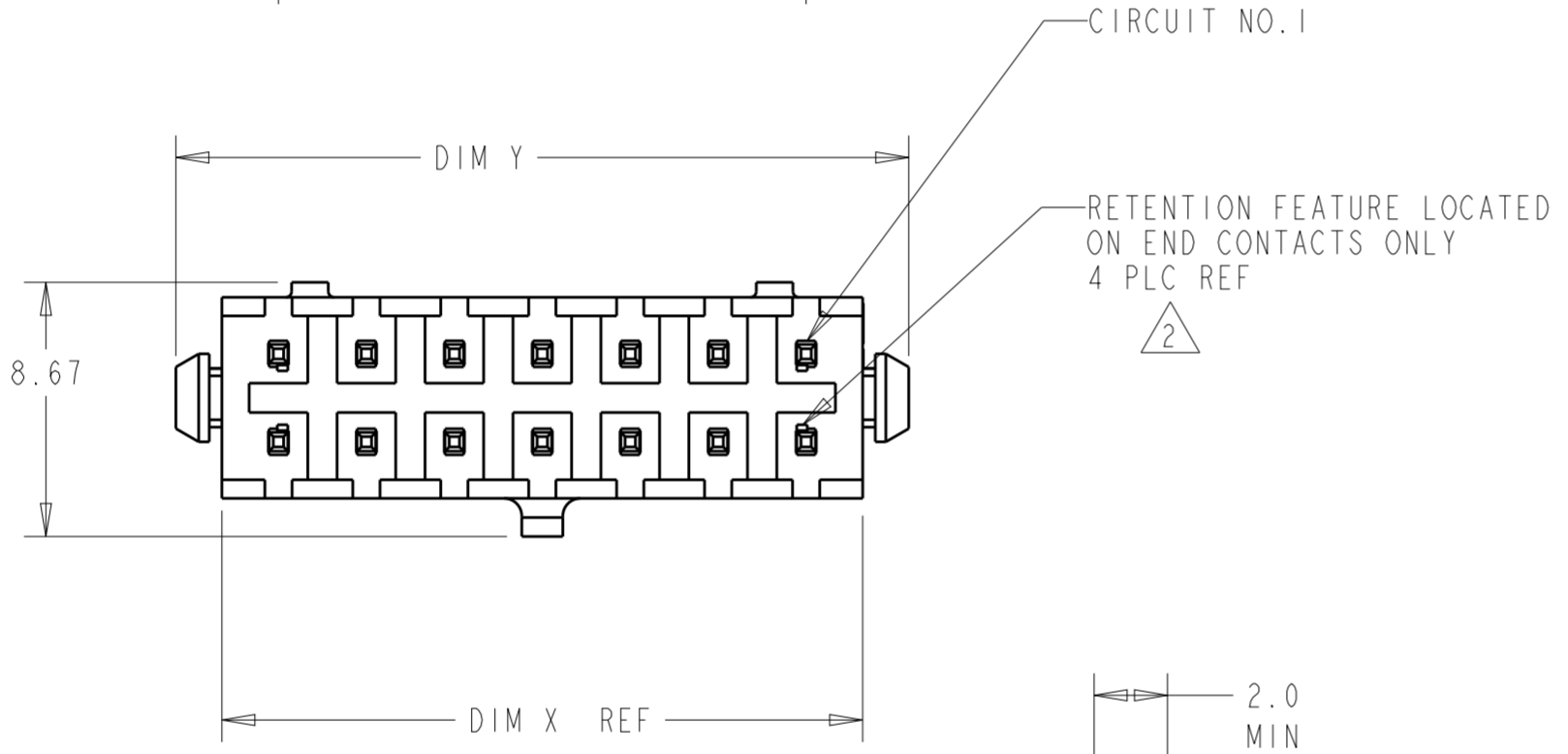
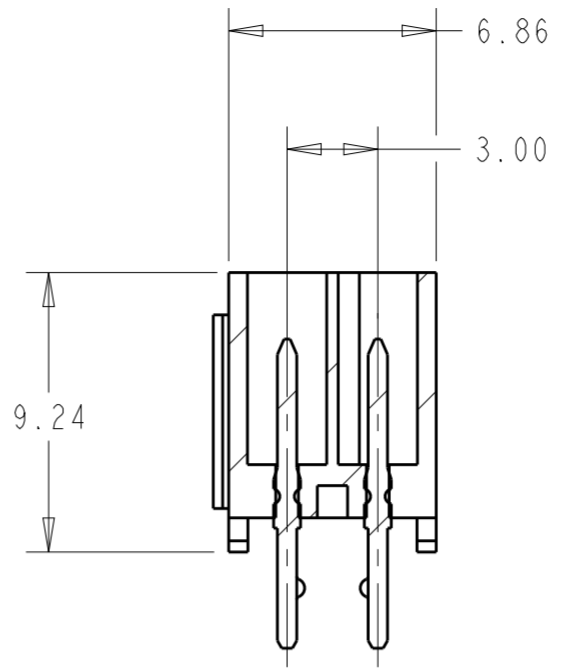
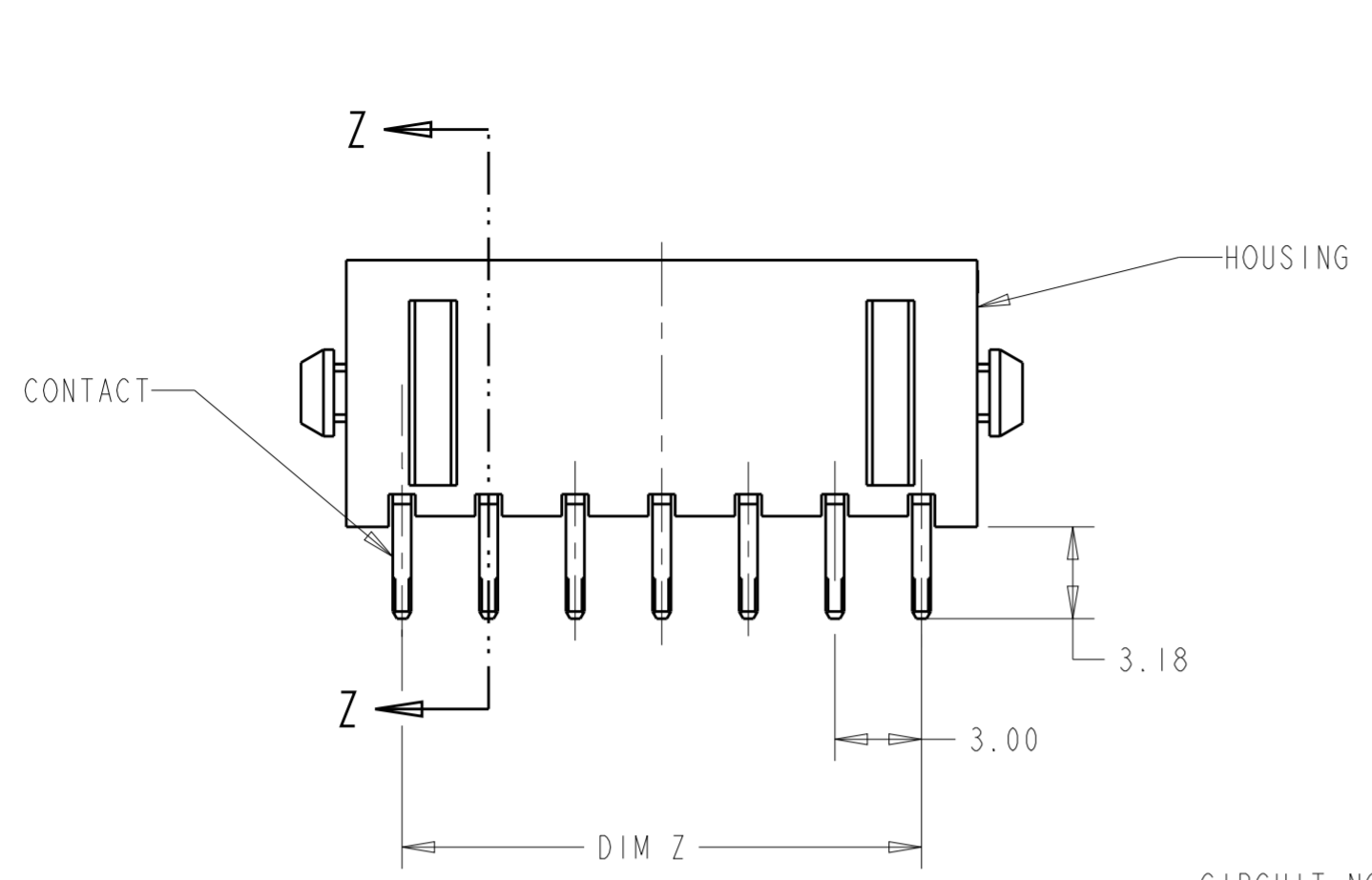


THIS DRAWING IS UNPUBLISHED. RELEASED FOR PUBLICATION  
 © COPYRIGHT 20 BY - ALL RIGHTS RESERVED.

LOC	DIST	REVISIONS					
CM	00	P	LTR	DESCRIPTION	DATE	DWN	APVD
		E		REVISED PER ECO-15-003291	27JULY2015	SC	DZ



- 1 MATERIAL: HOUSING - NYLON, UL 94V-0, BLACK.  
CONTACT - BRASS.  
0.000762 MINIMUM GOLD OVER 0.00254  
MINIMUM NICKEL ON MATING AREA. 0.00254  
TIN-LEAD MINIMUM OVER 0.00254 NICKEL  
MINIMUM ON SOLDER TAILS.
- 2 MAXIMUM INSERTION 20 LBS.
- 3 RECOMMENDED BOARD THICKNESS 1.57.
- 4 MATERIAL: HOUSING - NYLON, UL 94V-0, BLACK.  
CONTACT - BRASS.  
0.000762 MINIMUM GOLD OVER 0.00254  
MINIMUM NICKEL ON MATING AREA. 0.00254  
MATTE TIN MINIMUM OVER 0.00254 NICKEL  
MINIMUM ON SOLDER TAILS.

FINISH	DIM Y	DIM Z	DIM X	NO. OF POSN.	PART NUMBER
4	40.00	33.00	36.86	24	5-794632-4
4	37.00	30.00	33.86	22	5-794632-2
4	34.00	27.00	30.86	20	5-794632-0
4	31.00	24.00	27.86	18	4-794632-8
4	28.00	21.00	24.86	16	4-794632-6
4	25.00	18.00	21.86	14	4-794632-4
4	22.00	15.00	18.86	12	4-794632-2
4	19.00	12.00	15.86	10	4-794632-0
4	16.00	9.00	12.86	8	3-794632-8
4	13.00	6.00	9.86	6	3-794632-6
4	10.00	3.00	6.86	4	3-794632-4
4	7.00	-	3.86	2	3-794632-2
1	40.00	33.00	36.86	24	2-794632-4
1	37.00	30.00	33.86	22	2-794632-2
1	34.00	27.00	30.86	20	2-794632-0
1	31.00	24.00	27.86	18	1-794632-8
1	28.00	21.00	24.86	16	1-794632-6
1	25.00	18.00	21.86	14	1-794632-4
1	22.00	15.00	18.86	12	1-794632-2
1	19.00	12.00	15.86	10	1-794632-0
1	16.00	9.00	12.86	8	794632-8
1	13.00	6.00	9.86	6	794632-6
1	10.00	3.00	6.86	4	794632-4
1	7.00	-	3.86	2	794632-2

THIS DRAWING IS A CONTROLLED DOCUMENT.

DIMENSIONS: mm [INCHES]	TOLERANCES UNLESS OTHERWISE SPECIFIED: 0 PLC ± 1 PLC ± 2 PLC ±0.20 [0.008] 3 PLC ± 4 PLC ± ANGLES ± FINISH	DWN B. HAYMAKER 16AUG99 CHK K. COBLE 16AUG99 APVD K. COBLE 16AUG99	TE Connectivity	
MATERIAL SEE TABLE	SEE TABLE	PRODUCT SPEC APPLICATION SPEC WEIGHT	NAME VERTICAL HEADER ASSEMBLY, THRU HOLE, 30 GOLD, DUAL ROW, MICRO MATE-N-LOK™	
CUSTOMER DRAWING		SCALE 4:1	SHEET 1 OF 1	REV E

## X-ON Electronics

Largest Supplier of Electrical and Electronic Components

*Click to view similar products for [Pin & Socket Connectors](#) category:*

*Click to view products by [TE Connectivity](#) manufacturer:*

Other Similar products are found below :

[6450822-1](#) [770392-1](#) [794042-1](#) [796885-1](#) [8-794535-1](#) [881459-2](#) [R929993003](#) [1-350779-3](#) [1403611-1](#) [1-480349-5](#) [152302-5](#) [1586092-1](#)  
[1586129-1](#) [1586487-1](#) [1586681-4](#) [1586700-1](#) [1586065-1](#) [1586077-1](#) [1586368-1](#) [1586380-1](#) [1586616-1](#) [1586680-5](#) [1586681-2](#) [1604996-1](#)  
[16-06-0038](#) [164164-5](#) [1-6609930-1](#) [172296-1](#) [1-794714-6](#) [19-09-2035](#) [1969804-1](#) [200503-1](#) [200788-2](#) [201046-7](#) [202648-4](#) [2029076-2](#)  
[2029090-4](#) [2029095-4](#) [2-66102-6](#) [925061-7](#) [926681-1](#) [293734-4](#) [293737-2](#) [1-765362-4](#) [1-794606-3](#) [1871534-1](#) [1969795-1](#) [1969798-1](#)  
[1969800-1](#) [200833-4](#)