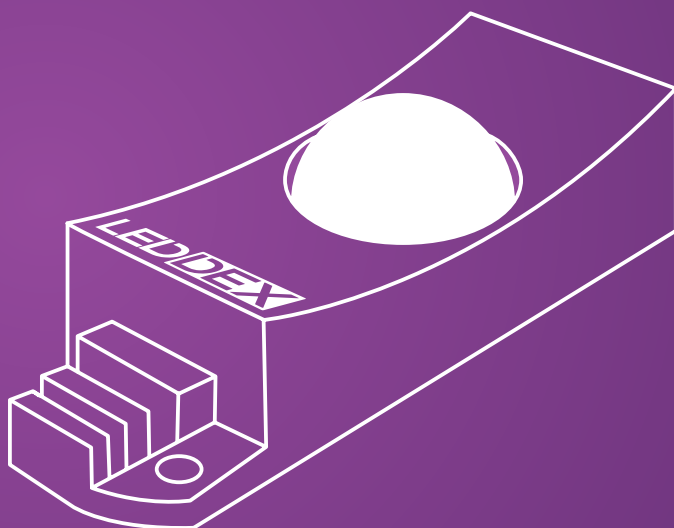


# LEDDEX Premium Line

LED Module for shallow and narrow signs

- \_ Wide lighting angle - 160°
- \_ IC and CC drivers
- \_ 5 years warranty
- \_ LEDs by SAMSUNG
- \_ LM80 Rated
- \_ Super narrow and slim body
- \_ Flame retardant RESIN body
- \_ Can be cut between every module

**5 YEAR**  
WARRANTY  
**SAMSUNG LED**



# LM-SAG2-W1

## GENERAL INFORMATION

### FEATURES

- \_ High reliability LEDs by SAMSUNG (3623)
- \_ High luminous efficiency - 70 lm/W
- \_ Wide lighting angle lens - 160°
- \_ Intelligent Control driver (IC)
- \_ Constant current driver (CC)
- \_ LM80 Rated (>80% of max. light output after 5 years)
- \_ Flame retardant RESIN body (meets UL94 V-1 flammability standard)
- \_ Can be cut between every module
- \_ Attached 3M double-sided adhesive tape

### APPLICATIONS

- \_ Typically used in shallow signs
- \_ Can depth/returns: 40 - 100 mm
- \_ Extremely narrow letters from 20 millimeters
- \_ Shallow light boxes
- \_ Double-sided projecting signs

### VISUAL APPEARANCE

RoHS COMPLIANT	CE	IP 67	0.6W	42 LUMEN	70 LM/W	160°	DC12V
----------------	----	-------	------	----------	---------	------	-------



**5 YEAR WARRANTY**  
**SAMSUNG LED**

### TECHNICAL SPECIFICATIONS

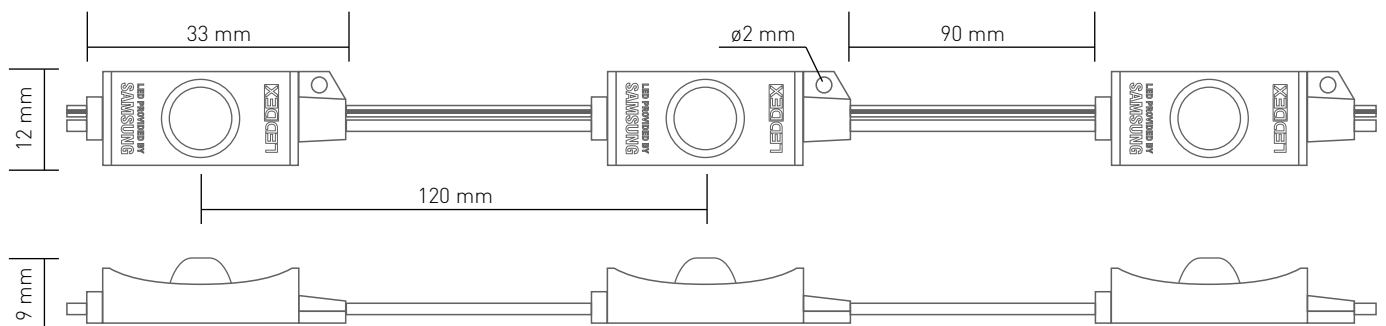
#### MAIN SPECIFICATIONS

Product code	LM-SAG2-W1
Available colors	white
Color temperature, K	6500~7000K
Power, W	0.6W
Typical luminous flux, lm	42 lm
LED Type	3623 (SAMSUNG LED)
Dimensions	33 x 12 x 9 mm
Protection class	IP67 - fully enclosed body, Flame retardant RESIN body

#### OTHER SPECIFICATIONS

Drivers	Intelligent Control (IC), Constant current (CC), Dimming: available
Working temperature	-30C° ~ +50C°
Cable length	Cable: 90 mm, Between centers: 120 mm
Mounting	Double-sided adhesive tape and mounting hole
Packaging	50 pcs. per bag, 200 pcs. per inner carton, 2400 pcs. per outer carton

#### TECHNICAL DRAWING



# LM-SAG2-W1

## LAYOUT AND SIZE COMPARISON

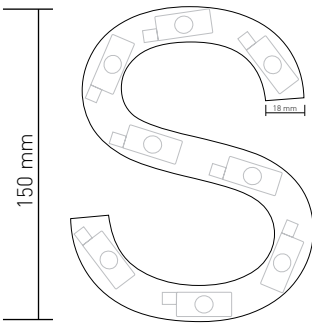
### DEPTH RECOMMENDATION

PREMIUM SERIES LED MODULES

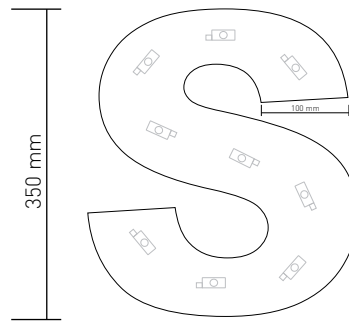
Product	Letter / Lightbox / Projector sign depth, mm																						
	40	50	60	70	80	90	100	110	120	130	140	150	160	170	180	190	200	210	220	230	240	250	
LM-SAG2-W1	◆	◆	◆	◆	◆	◆	◆																
LM-SAG1-X2					◆	◆	◆	◆	◆	◆	◆	◆	◆	◆	◆	◆	◆	◆	◆	◆	◆	◆	◆
LM-SAG1-X3													◆	◆	◆	◆	◆	◆	◆	◆	◆	◆	◆
LM-SAG2R-W1			◆	◆	◆	◆	◆	◆	◆	◆	◆	◆	◆	◆	◆	◆	◆	◆	◆	◆	◆	◆	◆

### LAYOUT EXAMPLE

LM-SAG2-W1 LED MODULE



Height: 150 mm  
Stroke: 18 mm  
Depth: 40 mm  
Brightness: ~4700 lx  
Typeface: Arial



Height: 350 mm  
Stroke: 100 mm  
Depth: 70 mm  
Brightness: ~1750 lx  
Typeface: Arial Black

### SIZE COMPARISON

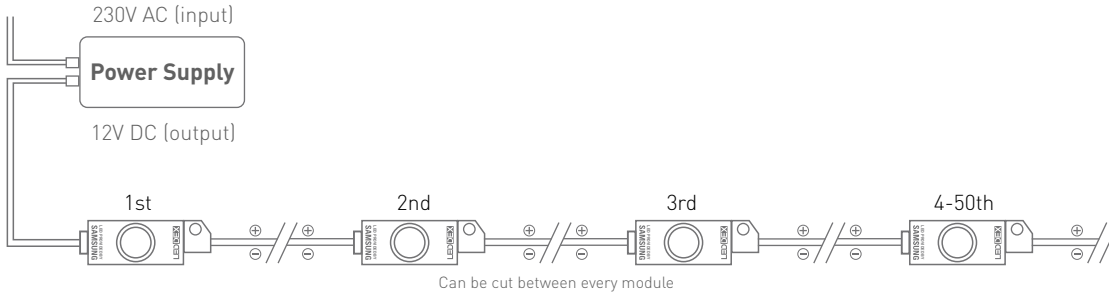
PREMIUM SERIES LED MODULES

Product	Actual proportions of the LED modules	
LM-SAG2-W1		
LM-SAG1-X2		
LM-SAG1-X3		
LM-SAG2R-W1		

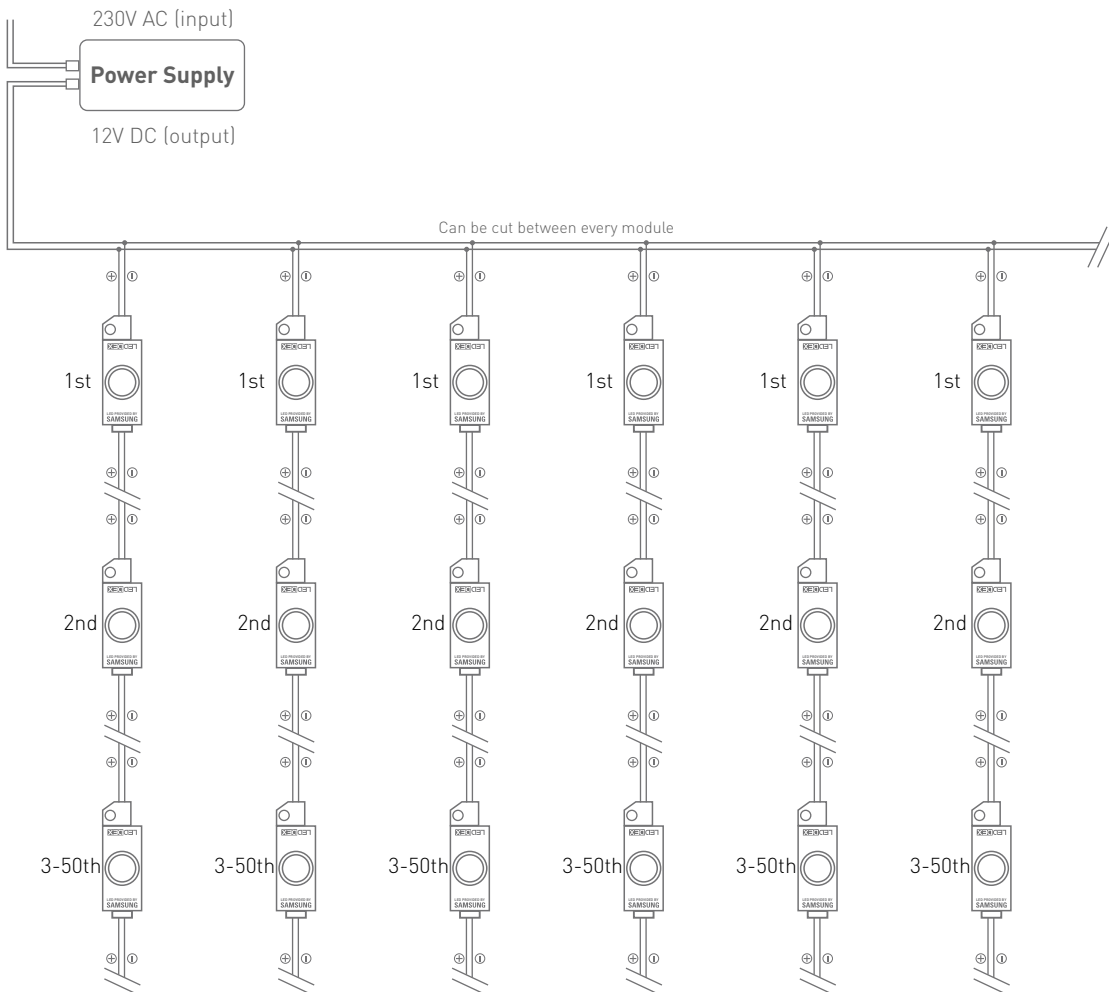
# LM-SAG2-W1

## CONNECTION IN SERIES AND PARALLEL

### CONNECTION IN SERIES



### CONNECTION IN PARALLEL



# LM-SAG2-W1

## \_POWER SUPPLIES AND PACKAGING

### POWER SUPPLIES

MAX. NO. OF MODULES PER POWER SUPPLY

Product	LPS-12V18W Power: 18W	LPS-12V60W Power: 60W	LPS-12V100W Power: 102W
LM-SAG2-W1 (0.6W per pc.)	25	84	142
LM-SAG1-X2 (0.48W per pc.)	31	103	175
LM-SAG1-X3 (0.72W per pc.)	21	69	117
LM-SAG2R-W1 (1.44W per pc.)	10	35	59

### PACKAGING

NO. OF MODULES PER PACKAGE

Product	Plastic bag	Inner carton	Outer carton
LM-SAG2-W1	50	200	2400
LM-SAG1-X2	30	210	1680
LM-SAG1-X3	30	210	1680
LM-SAG2R-W1	20	100	500



## X-ON Electronics

Largest Supplier of Electrical and Electronic Components

*Click to view similar products for [LED Lighting Bars and Strips](#) category:*

*Click to view products by [Leddex](#) manufacturer:*

Other Similar products are found below :

[ZLF0310W62524](#) [LF1D-F2F-2W-300](#) [HH-SWW320F210W24-COB IP65](#) [HH-SNW320F210W12-COB IP65](#) [HH-SNW320F010W12-COB IP20](#) [HH-SNW320F210W24-COB IP65](#) [HH-SNW320F010W24-COB IP20](#) [HH-SNW528F210W12-COB IP65](#) [HH-SNW528F010W12-COB IP20](#) [HH-SNW528F010W24-COB IP20](#) [HH-SCW320F210W12-COB IP65](#) [HH-SCW320F010W12-COB IP20](#) [HH-SCW528F210W12-COB IP65](#) [HH-SCW528F010W12-COB IP20](#) [HH-SR528F010W12-COB IP20](#) [HH-SR528F010W24-COB IP20](#) [LF2D-EN2F-2W-A](#) [PUUA-100LLL-NK2P](#) [HC-F12V-3535 PCBA](#) [HC-F12V-WS2811-3535](#) [HC-F24V-6L-36LED-W-WS2821/IP20](#) [HC-F5V-144L-144LED-B-WS2813 IP20](#) [HC-F5V-144L-144LED-B-WS2813 IP65](#) [HC-F5V-144L-144LED-W/IP65](#) [HC-F5V-144L-144LED-W-WS2813 IP20](#) [HC-F5V-30L-30LED-B-WS2813 IP20](#) [HC-F5V-60L-60LED-B-WS2813 IP20](#) [HC-F5V-60L-60LED-W-WS2813 IP65](#) [HC-T12V-10L-30LED-W/IP20](#) [HC-T12V-16L-48LED-W/IP20](#) [HC-T12V-16L-48LED-W/IP65](#) [HC-T12V-20L-60LED-W/IP65](#) [LFBHL-SW860-24V-12D83-20](#) [LFBLL-SW860-24V-5S200-20-IC](#) [LFBML-MW827860-24V-12D83-20](#) [LFBML-SW827-24V-6S167-20](#) [LM-SAG1-W2](#) [LMV-MINI-W2](#) [LS-2835W120RN](#) [LS-2835W120RN1](#) [LS-2835W60RN2](#) [LS-2835WW120R-1](#) [LS-2835WW60RN](#) [LS-3014WW60RN](#) [LS-3014WW60RN3](#) [LS-3528W60RN-1](#) [LS-3528W60RN-2](#) [LS-5050F60R-2](#) [LS-5050F60RN-3](#) [LS-5050W30RN](#)