

φ 50mm GU10 Spotlight Series
Technical Data Sheet

Model No: LM-SDRG21XX2



Features

- ◇ High Intensity
- ◇ Low Power Consumption.
- ◇ Long life.
- ◇ Voltages Available 220~240VAC.
- ◇ Available for all color
- ◇ Easy-equipped.

Description

This LED lightings are substitution of halogen lightings GU10. It has high luminant efficiency by using super brihgt LED. The colors of lighting can be white, warn white, red, yellow, blue, green and other colors.

Application

- ◇ Entertainment Lighting
- ◇ Architectural lighting
- ◇ City Beautification
- ◇ Landscape lighting
- ◇ Medical lighting
- ◇ Portable lighting
- ◇ Other light sources

Device Selection Guide

Part No.	Color	Q'ty of LEDs (pcs)	Color Temp / Wavelength Typ (kelvin/nm)	Total Lumens Typ (lm)
LM-SDRG21W62	Warm White	21	3200K	37.6
LM-SDRG21W02	Cool White	21	5500K	34.0
LM-SDRG21B02	Blue	21	470nm	6.0
LM-SDRG21G02	Green	21	525nm	28.4
LM-SDRG21Y02	Yellow	21	590nm	12.8
LM-SDRG21R02	Red	21	624nm	14.0

Spec No: LM-GU10-01 Rev No. V.1 Data: Aug/01/2006 Page: 2 OF 4

Approved: Bob Checked Zhenguoxie Drawn: Huijunchen

Absolute Maximum Ratings (Ta =25°C)

Items	Symbol	Rating	Units
Operating Voltage	Viac	AC 240	V
Input Current	li	AC 6.2	mA
Operating frequency	Freo	50-60	Hz
Power Dissipation	Pa	1.3-1.5	W
Operating Temperature	Tope	-30 - +50	°C
Storage Temperature	Tsto	-40 - + 80	°C

Typical Performance (Ta =25°C)

Items	Symbol	Min	Typ.	Max.	Units
Input Voltage	Vi	---	220	240	V
Input Current	If	---	---	6.5	mA
Beam Pattern	BP	---	50	---	Deg
Total Length	Lmod.	---	53.5	---	mm
Net Weight	Wei.	---	54.5	---	g
Estimated Life [1]	Life	30000	---	---	hour
Optimized Thermal Management (Body Temperature)	/		---	50	°C

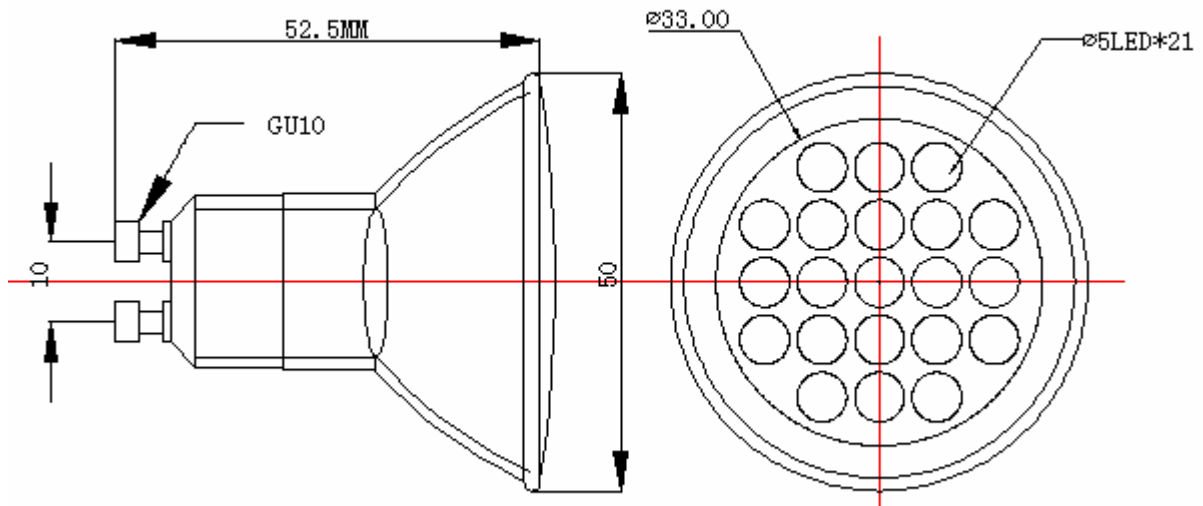
Notes:

- [1] The estimated life of GU10 with Lucky Light's lamps are estimated base on the LED light 4-8 hours each day. and Lucky Light only guarantee 30000 hours in specification , but it is longer than 30000 hours .
- Rank rations will be determined by Lucky Light , if you have any request or queries for Lucky Light products , please directly contact salesman .
- The brightness and forward voltage can be designed according to customer specifications.
- Specifications are subject to change without notice

Product picture:



Product Dimensions



Notes:

- 1. All dimensions unit in mm .
- 2. The tolerance is +/- 0.2mm unless otherwise noted

X-ON Electronics

Largest Supplier of Electrical and Electronic Components

Click to view similar products for [LED Backlighting](#) category:

Click to view products by [Lucky Light](#) manufacturer:

Other Similar products are found below :

[HBL0218](#) [SSB-COB7540GW](#) [SSB-DL6528SRW](#) [3G3DV130B4294](#) [SSB-CEL8040UWW](#) [49131](#) [0025 INT CLASSIC GLACIER WHITE](#)
[0025 INT NATURAL BLUE](#) [0100 INT CLASSIC GLACIER WHITE](#) [0100 INT EXTREME ORANGE](#) [0100 INT NATURAL BLUE](#) [0200](#)
[INT EXTREME BLUE GREEN](#) [30531](#) [30586](#) [30588](#) [30589](#) [30590](#) [30637](#) [4052899149281](#) [4052899326453](#) [44892WFL](#) [JDR20W38 E14](#)
[JDR50W38 GU10](#) [KB-2600ID](#) [KB-2855SGW](#) [4052899913615](#) [L-875/4IDT](#) [L-875/4SRDT](#) [44860WFL](#) [44870WFL](#) [MR16 60ST 20W](#)
[MR16 60ST 50W](#) [64465](#) [64695 ECO](#) [64698 ECO](#) [64701 ECO](#) [64702 ECO](#) [64760](#) [30597](#) [SL2CD](#) [SKU 165](#) [SKU 167](#) [SKU 193](#) [SKU 194](#)
[SKU 203](#) [4052899973428](#) [8718696537015](#) [8718696728352](#) [8718696598375](#) [8718291787051](#)