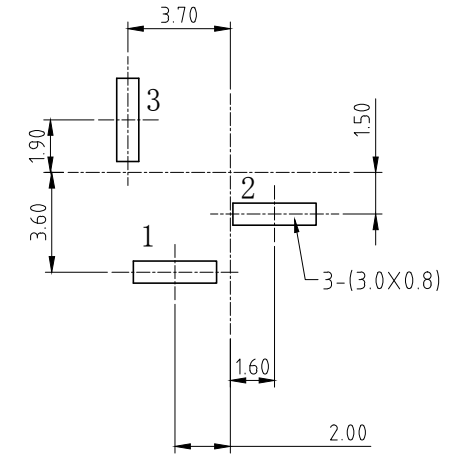
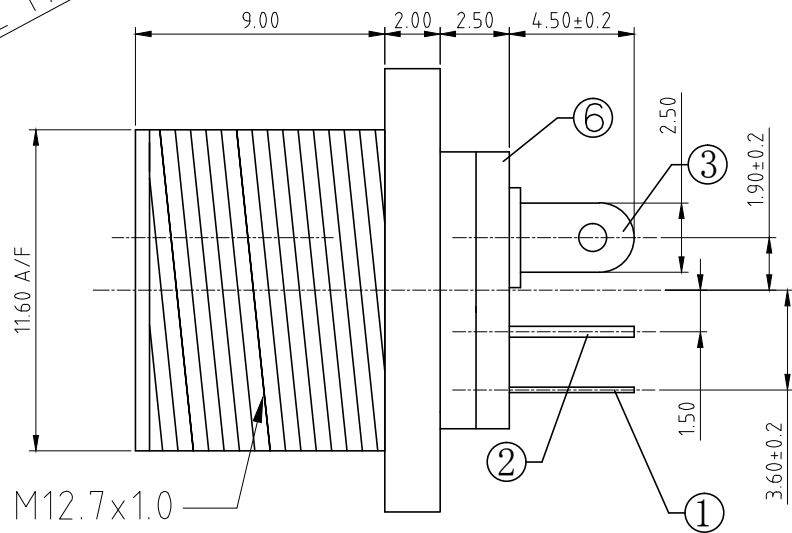
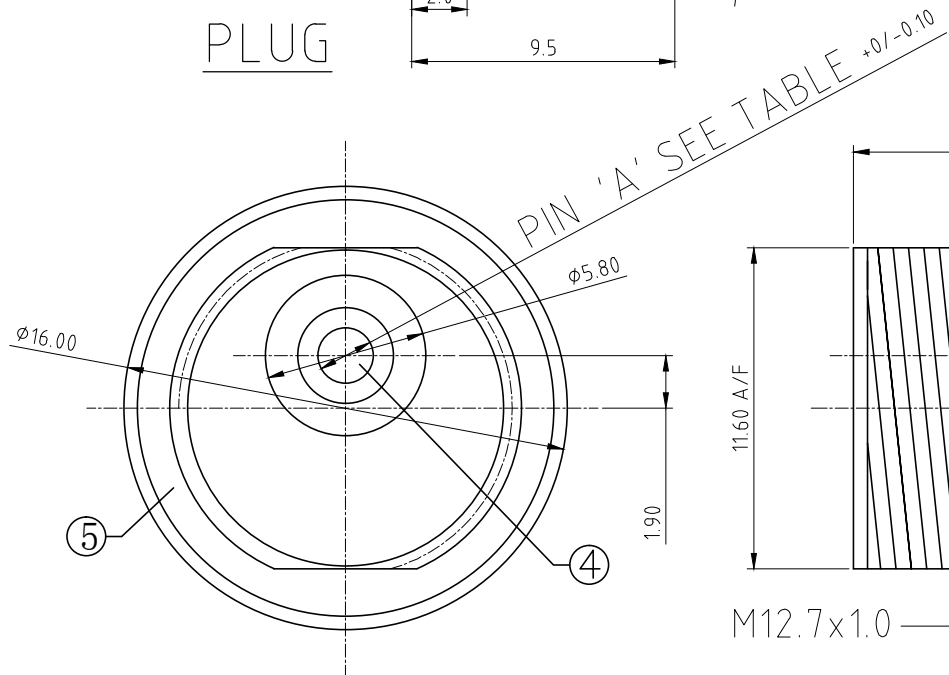
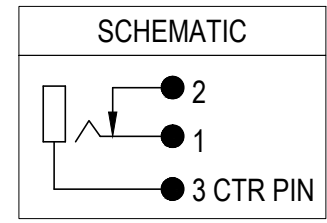
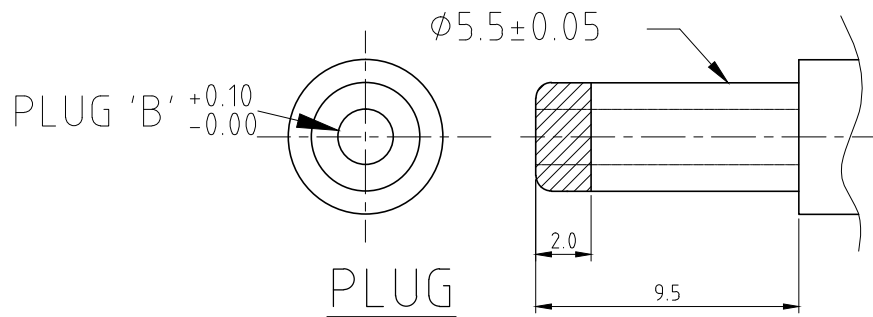


ISS.	AMEND	DATE
1	1st DRAWN	07/05/13
2	A/F DIM ADD	27/11/13
3	PIN 1+3 REVERSE	16/04/15



P.C.B LAYOUT(±0.1)  
(TOP VIEW)

PART No	PIN A Ø	PLUG B Ø
FC681473	Ø2.10	Ø2.05
FC681474	Ø2.50	Ø2.55

SUPPLIED WITH NUT

RoHS COMPLIANT	
TOLERANCE	
NO DEC. PLACE ± 0.50	
1 DEC. PLACE ± 0.30	
2 DEC. PLACE ± 0.15	
HOLE Ø ±	
ANGLES ± 3°	
UNLESS OTHERWISE STATED	

No.	DESCRIPTION	QTY	MATERIAL	PLATING & COLOR
6	COVER	1	PBT	BLACK
5	HOUSING	1	PBT	BLACK
4	PIN	1	BRASS	NICKEL PLATE
3	CONTACT	1	BRASS	TIN PLATE
2	CONTACT	1	BRASS	TIN PLATE
1	SPRING	1	SUS	TIN PLATE

**Cliff Electronic Components Ltd.**  
76 Holmehorpe Avenue, Holmehorpe Industrial Estate,  
Redhill, Surrey, RH1 2PF, England, UK  
Tel: 01737-771375 Fax: 01737-766012 Website: www.cliffuk.co.uk

DIMENSIONS IN MILLIMETERS UNLESS OTHERWISE STATED. WORK TO DIMENSIONS. REMOVE ALL BURRS. IF IN DOUBT ASK.

3rd ANGLE PROJECTION:

DO NOT SCALE

MATERIAL: SEE TABLE

TITLE: M12.7 PANEL MT DC SOCKET (2.1mm/2.5mm)

FINISH: CLEAN - SEE TABLE

DRWG. No. **FC681473** FORM: A4DRWGH

THE CONTENTS OF THIS DOCUMENT MUST NOT BE COPIED OR DISCLOSED TO A 3rd PARTY WITHOUT WRITTEN PERMISSION OF CLIFF UK. © 2013

DRAWN: T.J.O.

APPROVED: D.P.J.

## X-ON Electronics

Largest Supplier of Electrical and Electronic Components

*Click to view similar products for [DC Power Connectors](#) category:*

*Click to view products by [Cliff](#) manufacturer:*

Other Similar products are found below :

[1600206-1](#) [163-0301-EX](#) [163-0302](#) [163-0308-EX](#) [163-0310-EX](#) [163-1061-EX](#) [163-1100-EX](#) [163-4024](#) [163-4117-EX](#) [163-4118-EX](#) [163-5005-E](#) [163-7421](#) [163-MJ22-EX](#) [171-0721-EX](#) [171-0725-EX](#) [171-3118-EX](#) [171-3210-E](#) [171-3221-EX](#) [171-3222-EX](#) [171-A1326-EX](#) [173-23507-ST-EX](#) [173-5521TIP-EX](#) [173-6330TIP-EX](#) [KLDVX-SMT-02-ATR](#) [KLDX-0201-AHT-1](#) [KLDX-0202-AHT](#) [KLDX-SMT-0202-BP](#) [KLDX-SMT-0202-BPTR](#) [163-0179-EX](#) [163-0307-E](#) [163-0309-EX](#) [163-4007-EX](#) [163-4015-EX](#) [163-4025](#) [163-4119-E](#) [163-4303-E](#) [16PJ101-EX](#) [171-0702-EX](#) [171-0722-E](#) [171-0726-EX](#) [171-2122-EX](#) [171-3216-EX](#) [171-3218-EX](#) [171-3219-EX](#) [171-3220-EX](#) [171-7391](#) [173-3413-ST-EX](#) [173-4017-ST-EX](#) [RAPCBRK](#) [K596](#)