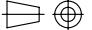
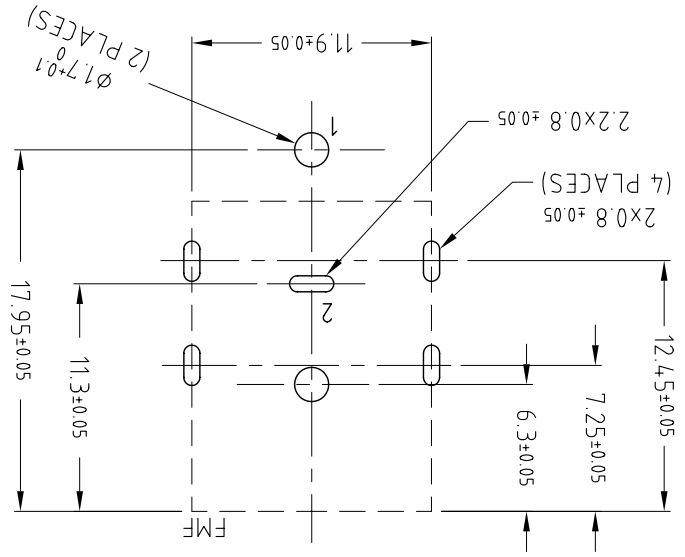
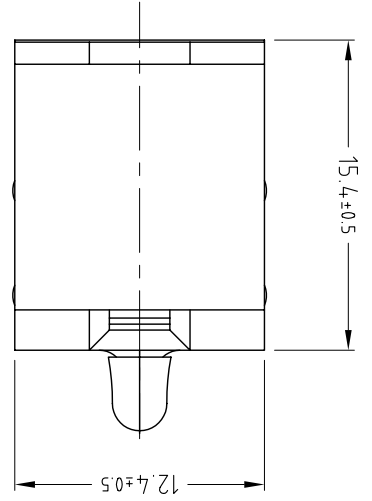
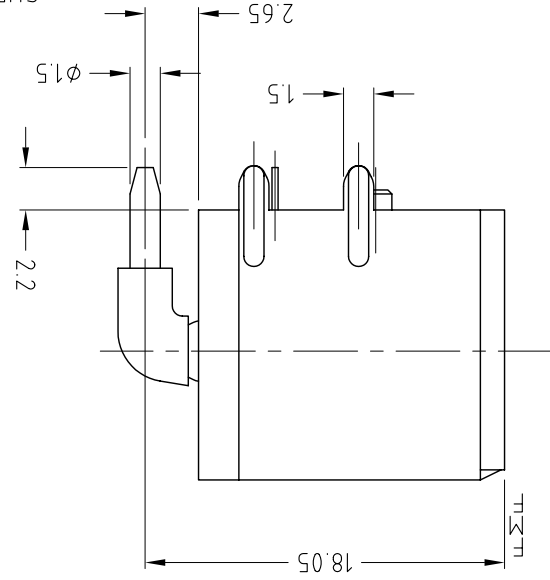
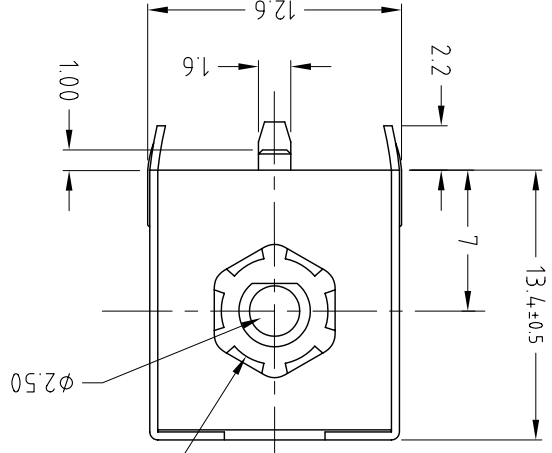
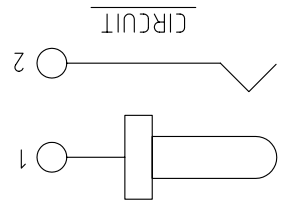


Cliff Electronic Components Ltd.
 76 Holmehorpe Avenue, Holmehorpe Industrial Estate,
 Redhill, Surrey, RH1 2PF, England, UK
 Tel: 01737-71375 Fax: 01737-766012 Website: www.cliffuk.co.uk
 TO A 3rd PARTY WITHOUT WRITTEN PERMISSION OF CLIFF UK. © 2007

THE CONTENTS OF THIS DOCUMENT MUST NOT BE COPIED OR DISCLOSED
 DRAWN: C.A.M.J. APPROVED: R.W.T. DRWG. No. **FC681495** FORM: A4DRWGH
 FINISH: AS MOULDED / Sn / Ag PLATED PACKED ON TAPE / REEL
 MATERIAL: PPO / BRASS / SS / COPPER
 TITLE: DC POWER SOCKET Ø2.5mm
 DIMENSIONS IN MILLIMETERS UNLESS OTHERWISE STATED. WORK TO DIMENSIONS. REMOVE ALL BURRS. IF IN DOUBT ASK.
 3rd ANGLE PROJECTION:  DO NOT SCALE



SUPPLIED TAPED + REELED 100X PER REEL



RoHS COMPLIANT
 TOLERANCE
 NO DEC. PLACE ±0.30
 1 DEC. PLACE ±0.20
 2 DEC. PLACE ±0.10
 HOLE Ø ±0.10
 ANGLES ± 1/2°
 UNLESS
 OTHERWISE STATED

SPECIFICATION (WITH APPROVED PLUG)
 RATED: 10A / 20V 4.3UF
 INSERTION FORCE: 2.5kg max
 WITHDRAWAL FORCE: 1.0kg~2.5kg
 INSULATION RESISTANCE: >500MΩ@500VDC
 WITHSTAND VOLTAGE: 250VAC/1 MIN
 CONTACT RESISTANCE: <7mΩ

ISS.	AMEND	DATE
1	1st DRAWN	21/12/07
2	SPECN / PACKING ADD	15/01/07
3	Ø2.1 VARIANT DEL	21/11/12

X-ON Electronics

Largest Supplier of Electrical and Electronic Components

Click to view similar products for [DC Power Connectors](#) category:

Click to view products by [Cliff](#) manufacturer:

Other Similar products are found below :

[1600206-1](#) [163-0301-EX](#) [163-0302](#) [163-0308-EX](#) [163-0310-EX](#) [163-1061-EX](#) [163-1100-EX](#) [163-4024](#) [163-4117-EX](#) [163-4118-EX](#) [163-5005-E](#) [163-7421](#) [163-MJ22-EX](#) [171-0721-EX](#) [171-0725-EX](#) [171-3118-EX](#) [171-3210-E](#) [171-3221-EX](#) [171-3222-EX](#) [171-A1326-EX](#) [173-23507-ST-EX](#) [173-5521TIP-EX](#) [173-6330TIP-EX](#) [KLDVX-SMT-02-ATR](#) [KLDX-0201-AHT-1](#) [KLDX-0202-AHT](#) [KLDX-SMT-0202-BP](#) [KLDX-SMT-0202-BPTR](#) [163-0179-EX](#) [163-0307-E](#) [163-0309-EX](#) [163-4007-EX](#) [163-4015-EX](#) [163-4025](#) [163-4119-E](#) [163-4303-E](#) [16PJ101-EX](#) [171-0702-EX](#) [171-0722-E](#) [171-0726-EX](#) [171-2122-EX](#) [171-3216-EX](#) [171-3218-EX](#) [171-3219-EX](#) [171-3220-EX](#) [171-7391](#) [173-3413-ST-EX](#) [173-4017-ST-EX](#) [RAPCBRK](#) [K596](#)