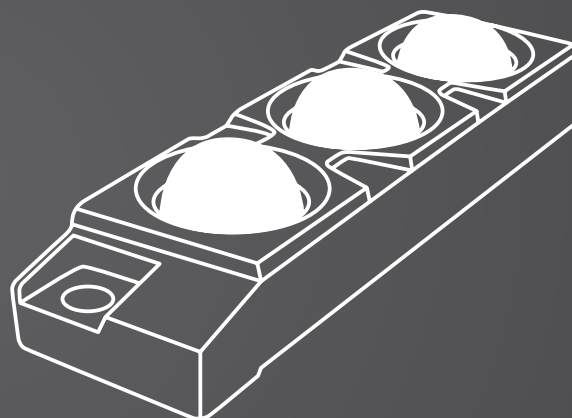


# LEDDEX Value Line

LED Module for medium sized signage

- \_ Wide lighting angle - 160°
- \_ High luminous efficiency - 104 lm/W
- \_ CC driver
- \_ 3 years warranty
- \_ Narrow and slim body
- \_ Can be cut between every module

**3** YEAR  
WARRANTY



# LMV-LMID-S-X3

## GENERAL INFORMATION

### FEATURES

- \_ High reliability LEDs
- \_ High luminous efficiency - 104 lm/W
- \_ Wide lighting angle lens - 160°
- \_ Constant current driver (CC)
- \_ Can be cut between every module
- \_ Attached 3M double-sided adhesive tape

### APPLICATIONS

- \_ Typically used in medium sized signage
- \_ Can depth/returns: 50 - 150 mm
- \_ Medium sized light boxes
- \_ Narrow letters
- \_ Double-sided totems/pylons

### VISUAL APPEARANCE



### TECHNICAL SPECIFICATIONS

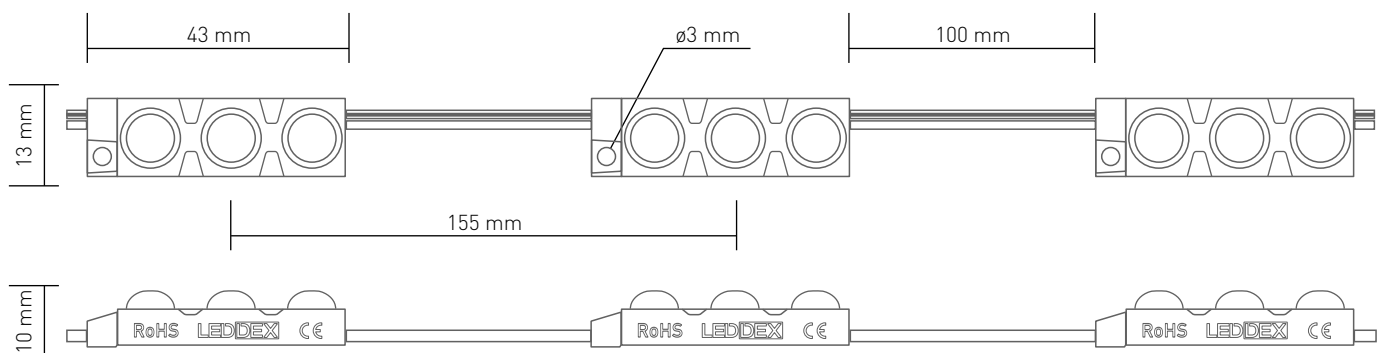
#### MAIN SPECIFICATIONS

Product code	LMV-LMID-S-W3	LMV-LMID-S-WW3
Available colors	white	warm white
Color temperature, K	7000-8000K	3000-3500K
Power, W	0.72W	0.72W
Typical luminous flux, lm	75 lm	70 lm
LED Type	3014	
Dimensions	43 x 13 x 10 mm	
Protection class	IP65 - fully enclosed body	

#### OTHER SPECIFICATIONS

Drivers	Constant current (CC), Dimming: available
Working temperature	-30C° ~ +50C°
Cable length	Cable: 100 mm, Between centers: 155 mm
Mounting	Double-sided adhesive tape and mounting hole
Packaging	100 pcs. per bag, 2000 pcs. per outer carton

#### TECHNICAL DRAWING



# LMV-LMID-S-X3

## LAYOUT AND SIZE COMPARISON

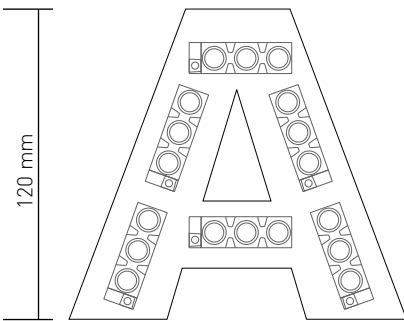
### DEPTH RECOMMENDATION

VALUE SERIES LED MODULES

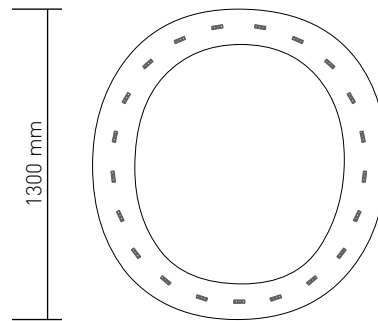
Product	Letter / Lightbox / Projector sign depth, mm																						
	40	50	60	70	80	90	100	110	120	130	140	150	160	170	180	190	200	210	220	230	240	250	
LMV-MINI-X2	◆	◆	◆																				
LMV-LMIN-S-X1	◆	◆	◆	◆	◆																		
LMV-LMID-S-X3		◆	◆	◆	◆	◆	◆	◆	◆	◆	◆	◆	◆										
LMV-LMAX-X3									◆	◆	◆	◆	◆	◆	◆	◆	◆	◆	◆	◆	◆	◆	◆

### LAYOUT EXAMPLE

LMV-LMID-S-X3 LED MODULE



Height: 120 mm  
Stroke: 40 mm  
Depth: 60 mm  
Brightness: ~4200 lx  
Typeface: Arial Black



Height: 1200 mm  
Stroke: 150 mm  
Depth: 100 mm  
Brightness: ~1050 lx  
Typeface: Helvetica

### SIZE COMPARISON

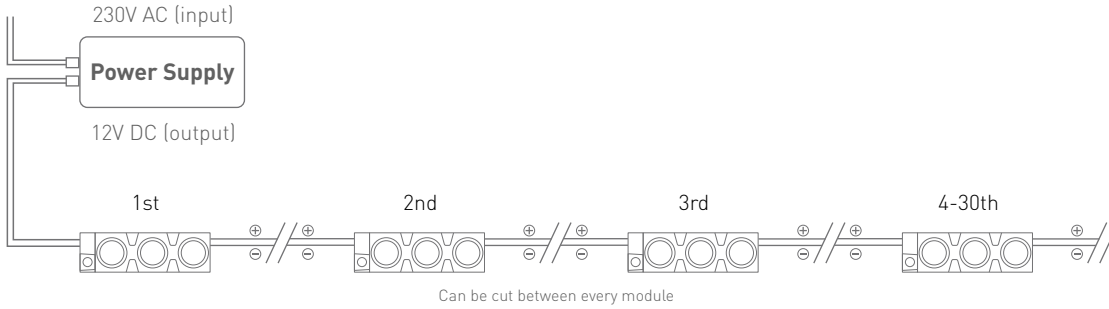
VALUE SERIES LED MODULES

Product	Actual proportions of the LED modules	
LMV-MINI-X2		
LMV-LMIN-S-X1		
LMV-LMID-S-X3		
LMV-LMAX-X3		

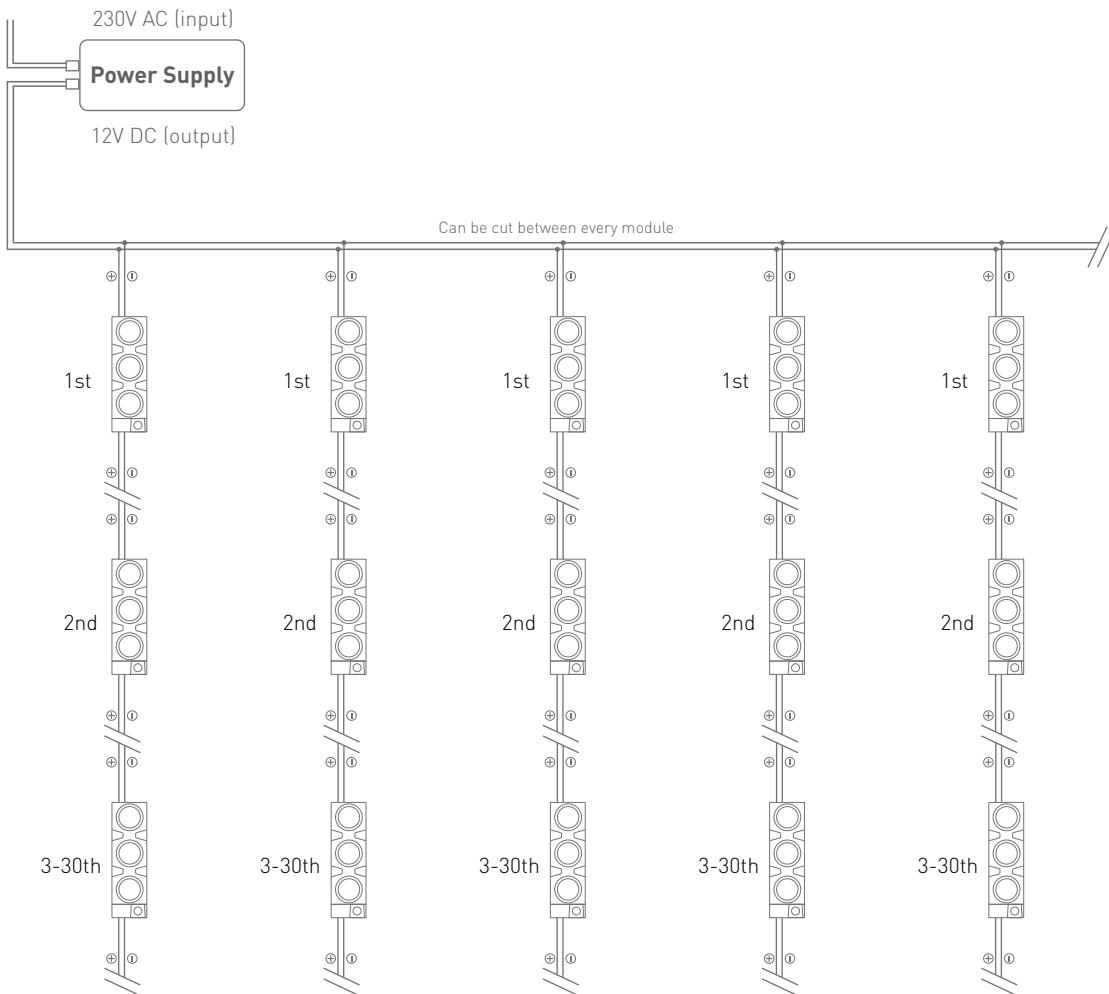
# LMV-LMID-S-X3

## CONNECTION IN SERIES AND PARALLEL

### CONNECTION IN SERIES



### CONNECTION IN PARALLEL



# LMV-LMID-S-X3

## \_POWER SUPPLIES AND PACKAGING

### POWER SUPPLIES

MAX. NO. OF MODULES PER POWER SUPPLY

Product	LPS-12V18W Power: 18W	LPS-12V60W Power: 60W	LPS-12V100W Power: 102W
LMV-MINI-X2 (0.3W per pc.)	50	167	278
LMV-LMIN-S-X1 (0.36W per pc.)	42	140	233
LMV-LMID-S-X3 (0.72W per pc.)	21	69	117
LMV-LMAX-X3 (1.20W per pc.)	13	42	70

### PACKAGING

NO. OF MODULES PER PACKAGE

Product	Plastic bag	Outer carton
LMV-MINI-X2	500	10000
LMV-LMIN-S-X1	180	1980
LMV-LMID-S-X3	100	2000
LMV-LMAX-X3	30	1500



## X-ON Electronics

Largest Supplier of Electrical and Electronic Components

*Click to view similar products for [LED Lighting Bars and Strips](#) category:*

*Click to view products by [Leddex](#) manufacturer:*

Other Similar products are found below :

[ZLF0310W62524](#) [LF1D-F2F-2W-300](#) [HH-SWW320F210W24-COB IP65](#) [HH-SNW320F210W12-COB IP65](#) [HH-SNW320F010W12-COB IP20](#) [HH-SNW320F210W24-COB IP65](#) [HH-SNW320F010W24-COB IP20](#) [HH-SNW528F210W12-COB IP65](#) [HH-SNW528F010W12-COB IP20](#) [HH-SNW528F010W24-COB IP20](#) [HH-SCW320F210W12-COB IP65](#) [HH-SCW320F010W12-COB IP20](#) [HH-SCW528F210W12-COB IP65](#) [HH-SCW528F010W12-COB IP20](#) [HH-SR528F010W12-COB IP20](#) [HH-SR528F010W24-COB IP20](#) [LF2D-EN2F-2W-A](#) [PUUA-100LLL-NK2P](#) [HC-F12V-3535 PCBA](#) [HC-F12V-WS2811-3535](#) [HC-F24V-6L-36LED-W-WS2821/IP20](#) [HC-F5V-144L-144LED-B-WS2813 IP20](#) [HC-F5V-144L-144LED-B-WS2813 IP65](#) [HC-F5V-144L-144LED-W/IP65](#) [HC-F5V-144L-144LED-W-WS2813 IP20](#) [HC-F5V-30L-30LED-B-WS2813 IP20](#) [HC-F5V-60L-60LED-B-WS2813 IP20](#) [HC-F5V-60L-60LED-W-WS2813 IP65](#) [HC-T12V-10L-30LED-W/IP20](#) [HC-T12V-16L-48LED-W/IP20](#) [HC-T12V-16L-48LED-W/IP65](#) [HC-T12V-20L-60LED-W/IP65](#) [LFBHL-SW860-24V-12D83-20](#) [LFBLL-SW860-24V-5S200-20-IC](#) [LFBML-MW827860-24V-12D83-20](#) [LFBML-SW827-24V-6S167-20](#) [LM-SAG1-W2](#) [LMV-MINI-W2](#) [LS-2835W120RN](#) [LS-2835W120RN1](#) [LS-2835W60RN2](#) [LS-2835WW120R-1](#) [LS-2835WW60RN](#) [LS-3014WW60RN](#) [LS-3014WW60RN3](#) [LS-3528W60RN-1](#) [LS-3528W60RN-2](#) [LS-5050F60R-2](#) [LS-5050F60RN-3](#) [LS-5050W30RN](#)