

Sensor connectors, reflectors, mounting brackets, accessories

XS, Y92E, E39

The sensor accessory portfolio provides the products required to connect, mount or operate the main photoelectric and inductive sensors. The accessories are designed to match the performance levels of the respective sensors from general applications to the most challenging environments.

- Reflectors for standard applications, special mounting requirements or special environments
- M8, M12 cable connectors
- Special fiber and photomicrosensor connectors
- Mounting brackets for square and cylindrical sensor shapes



Content

Cable connectors – quick guide and selection table	2
Mounting accessories for standard photoelectric, inductive and capacitive sensors	24
Reflectors for retro-reflective photoelectric sensors	34

Cable connectors – quick guide and selection table

Size	Shape	Type	Features	Material		Order code		Extended Portfolio and Specs on Page		
				Nut	Cable					
M8		General purpose (screw)	3 pin (LED optionally)	Brass (CuZn)	PVC 2 m	XS3F-M8PVC3S2M	XS3F-M8PVC3A2M	3		
			4pin		PUR 2 m	XS3F-M8PUR3S2M	XS3F-M8PUR3A2M	3		
		Detergent resistant	4 pin	Stainless steel (SUS316L)	PVC 2 m	Y92E-S08PVC4S2M-L	Y92E-S08PVC4A2M-L	6		
			Robotic	4 pin	Brass (CuZn)	Robotic PVC 2 m	XS3F-M421-402-R	XS3F-M422-402-R	8	
M12		General purpose (screw)	3 wire (LED optionally)	Brass (CuZn)	PVC 2 m	XS2F-M12PVC3S2M	XS2F-M12PVC3A2M	3		
			4 wire		PUR 2 m	XS2F-M12PUR3S2M	XS2F-M12PUR3A2M	3		
			5 wire		PVC 2 m	XS2F-M12PVC4S2M	XS2F-M12PVC4A2M	3		
		Detergent resistant	4 wire	Stainless steel (SUS316L)	PVC 2 m	Y92E-S12PVC4S2M-L	Y92E-S12PVC4A2M-L	6		
			105°C Heat resistant	4 wire	Stainless steel (SUS316L)	Heat resistant PVC 2 m	XS2F-E421-D80-E	XS2F-E422-D80-E	12	
				Twist & click	4 wire	Nickel plated Zinc	PVC 2 m	XS5F-D421-D80-A	XS5F-D422-D80-A	14
					Robotic	4 wire	Brass (CuZn)	Robotic PVC 2 m	XS5F-D421-D80-P	XS5F-D422-D80-P
Fiber amplifier (E3X) connector		Fiber amplifier connectors	Special fiber connector - 4 wire	PBT	PVC 2 m	E3X-CN21		19		
			Special fiber connector + M8 plug	Plug: Zinc diecast	PVC 30 cm with M8 4-pin plug	E3X-CN21-M3J-2 0.3M		19		
			Special fiber connector + M12 plug		PVC 30 cm with M12 4-pin plug	E3X-CN21-M1J 0.3M		19		
Photo-micro-sensor (EE-SX) connector Cable connector		Cable connector	standard cable	Nylon	PVC 1 m	EE-1017 1M		21		
			robotic cable			EE-1017-R 1M		21		
M8/M12		Confectionable	Plugs and connectors for self assembly	Brass	n.a.	XS2G, XS2C Y92E_conf		15		
M12		Field I/O boxes	Direct wiring or DeviceNet communication	-	-	XW3B, DRT2		18		
M8/M12		T-connectors, covers, accessories and extended wiring portfolio	n.a.	-	-	XS2R, XS3R, XY2F, ..		23		

General purpose connectors (M8/M12)

XS3F, XS2F

Ordering information

Type	Size	Material		Features	Shape	Length (m)	Order code			
		Nut	Cable							
General purpose	M8	Brass (Nickel plated)	PVC	3 pin	angled	2	XS3F-M8PVC3A2M			
					5	XS3F-M8PVC3A5M				
				straight	2	XS3F-M8PVC3S2M				
					5	XS3F-M8PVC3S5M				
				4 pin	angled	2	XS3F-M8PVC4A2M			
					5	XS3F-M8PVC4A5M				
	straight			2	XS3F-M8PVC4S2M					
				5	XS3F-M8PVC4S5M					
	M12			Brass (Nickel plated)	PVC	3 wire	angled	2	XS2F-M12PVC3A2M	
							5	XS2F-M12PVC3A5M		
						straight	2	XS2F-M12PVC3S2M		
							5	XS2F-M12PVC3S5M		
		4 wire	angled			2	XS2F-M12PVC4A2M			
			5			XS2F-M12PVC4A5M				
	straight	2	XS2F-M12PVC4S2M							
		5	XS2F-M12PVC4S5M							
	M12	Brass (Nickel plated)	PUR			5 wire	angled	2	XS2F-M12PVC5A2M	
							5	XS2F-M12PVC5A5M		
						straight	2	XS2F-M12PVC5S2M		
							5	XS2F-M12PVC5S5M		
				M8	Brass (Nickel plated)	PUR	3 pin	angled	2	XS3F-M8PUR3A2M
								5	XS3F-M8PUR3A5M	
	straight						2	XS3F-M8PUR3S2M		
							5	XS3F-M8PUR3S5M		
4 pin	angled						2	XS3F-M8PUR4A2M		
	5						XS3F-M8PUR4A5M			
straight	2			XS3F-M8PUR4S2M						
	5			XS3F-M8PUR4S5M						
M12	Brass (Nickel plated)	PUR	3 wire	angled			2	XS2F-M12PUR3A2M		
				5			XS2F-M12PUR3A5M			
			straight	2			XS2F-M12PUR3S2M			
				5			XS2F-M12PUR3S5M			
			4 wire	angled	2	XS2F-M12PUR4A2M				
				5	XS2F-M12PUR4A5M					
straight			2	XS2F-M12PUR4S2M						
			5	XS2F-M12PUR4S5M						
M12			Brass (Nickel plated)	PUR	5 wire	angled	2	XS2F-M12PUR5A2M		
						5	XS2F-M12PUR5A5M			
					straight	2	XS2F-M12PUR5S2M			
						5	XS2F-M12PUR5S5M			

Note: M12 2-wire models are available for AC and DC applications.
Contact your Omron representative

Specifications

	M8	M12
Rated current	1 A	4 A
Rated voltage	125 VDC	125 VDC, 250 VAC
Degree of protection	IP67 (IEC 60529)	
Ambient temperature	PUR	Fixed cable: -50°C to 80°C Moving cable: -25°C to 80°C
	PVC	-25°C to 70°C

Pin arrangement

M8 3 poles		M8 4 poles			
	1 = brown 3 = blue 4 = black		1 = brown 2 = white 3 = blue 4 = black		
M12 3 poles		M12 4 poles		M12 5 poles	
	1 = brown 2 = n.c. 3 = blue 4 = black		1 = brown 2 = white 3 = blue 4 = black 5 = n.c.		1 = brown 2 = white 3 = blue 4 = black 5 = green / yellow

Materials

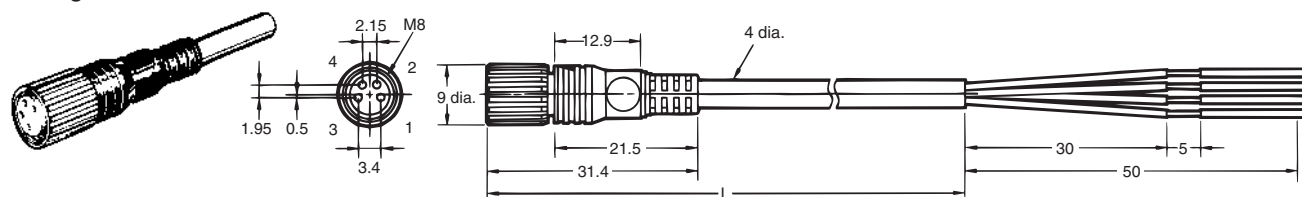
Pin block	PBT resin (UL 94V-0)
Contacts	Brass/ nickel base, 0.4 μm gold plating
Fixture	Brass/ nickel plated
Cover	Polyester elastomer (UL 94V-O)
O-ring	Rubber

Dimensions

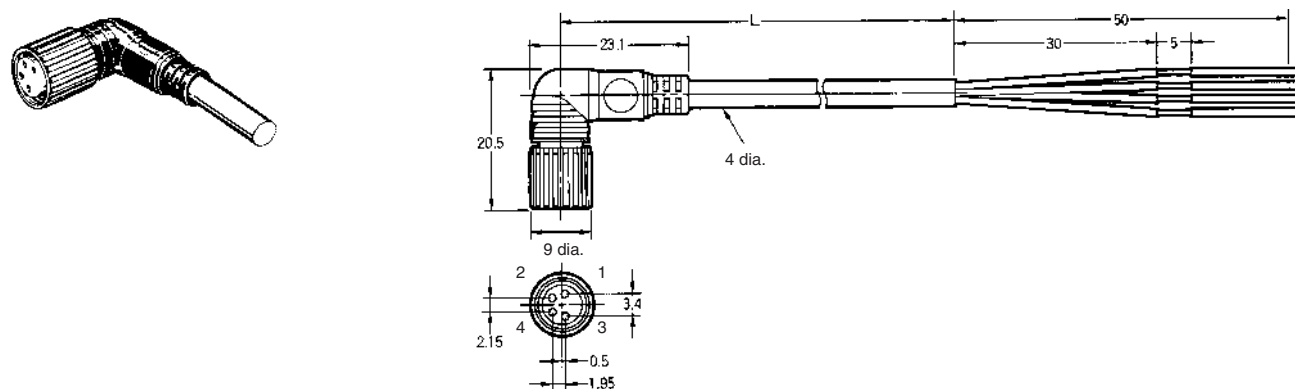
XS3F

M8 Screw-on cable connectors

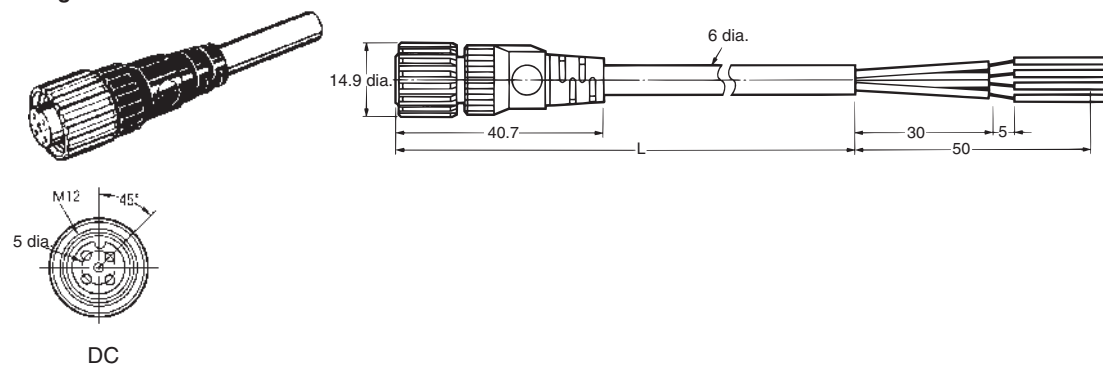
Straight Connectors



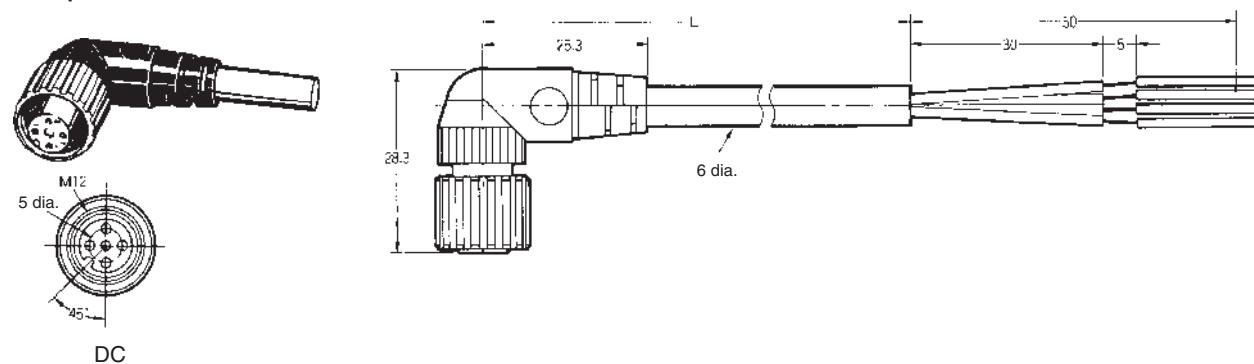
L-shaped Connectors



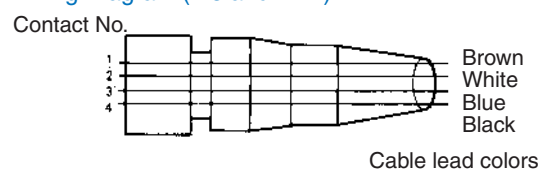
XS2F
M12 Screw-on cable connectors
Straight Connectors



L-shaped Connectors



Wiring Diagram (M8 and M12)



Detergent resistant cable connectors (M8 / M12)

Y92E-S

Ordering information

Detergent resistant models

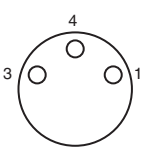
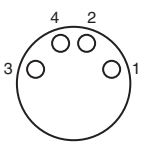
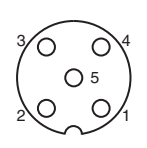
Type	Size	Material		Features	Shape	Length (m) ^{*1}	Order code		
		Nut	Cable						
detergent resistant	M8	SUS 316L	PVC	3 pin	Angled	2	Y92E-S08PVC3A2M-L		
						5	Y92E-S08PVC3A5M-L		
					Straight	2	Y92E-S08PVC3S2M-L		
						5	Y92E-S08PVC3S5M-L		
					M12	4 pin	Angled	2	Y92E-S08PVC4A2M-L
								5	Y92E-S08PVC4A5M-L
	Straight			2		Y92E-S08PVC4S2M-L			
				5		Y92E-S08PVC4S5M-L			
	4 pin			Angled		2	Y92E-S12PVC4A2M-L		
						5	Y92E-S12PVC4A5M-L		
	Straight			2	Y92E-S12PVC4C2M-L				
				5	Y92E-S12PVC4S5M-L				

*1 For different cable length please contact your Omron representative

Specifications

Rated current	4 A
Rated voltage	M8 3 pin: 60 VDC M8 4 pin: 30 VDC M12 4-wire: 250 VDC
Degree of protection	IP67 (IEC 60529); IP69k (after DIN 40050-1)
Ambient temperature	-25°C to +70°C

Pin arrangement

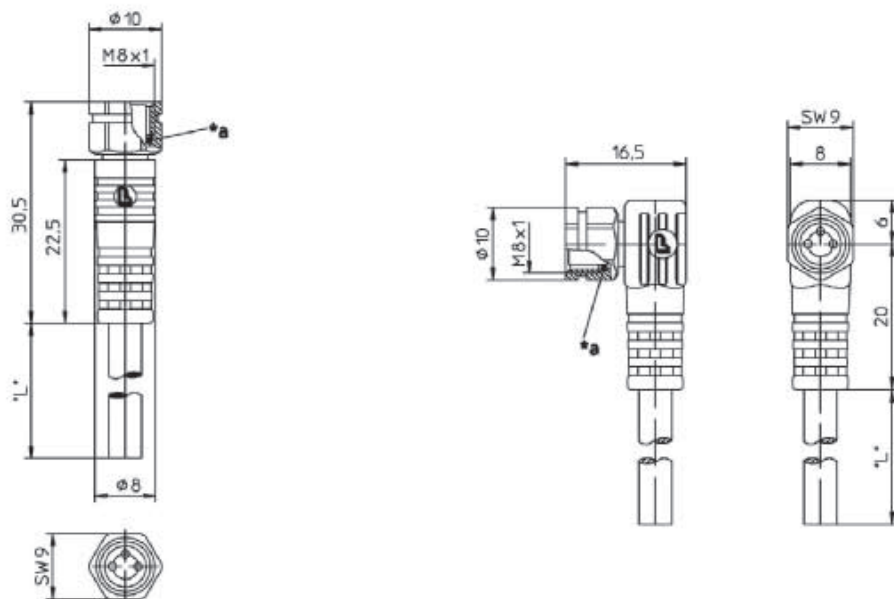
M8 3 pin	M8 4 pin	M12 4 pin
 <p>1 = brown 3 = blue 4 = black</p>	 <p>1 = brown 2 = white 3 = blue 4 = black</p>	 <p>1 = brown 2 = white 3 = blue 4 = black 5 = n.c.</p>

Materials

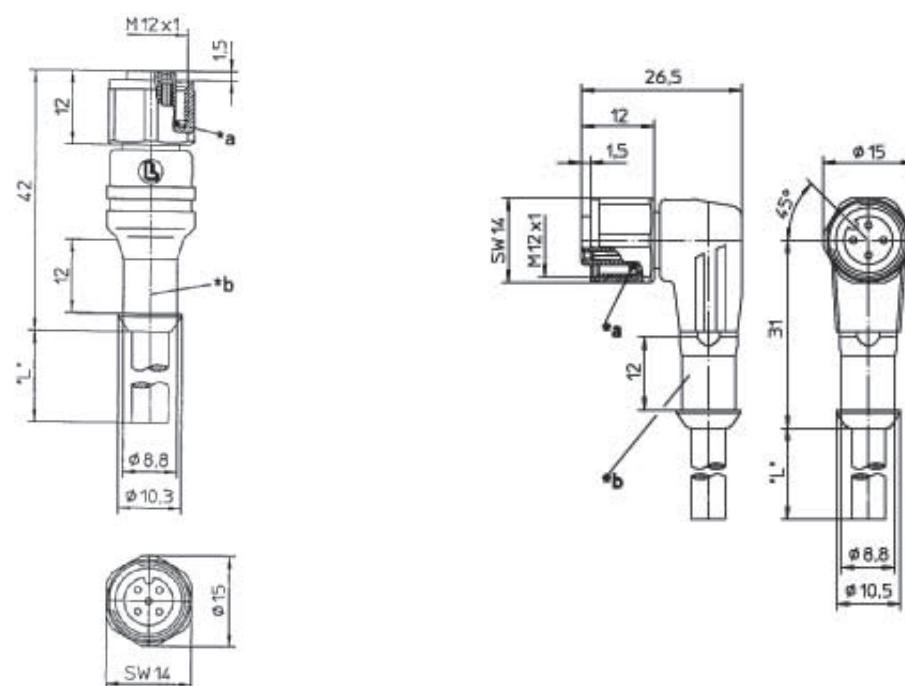
Pin block	PVC
Contacts	CuSn, nickel base, 0.3 μm gold plating
Fixture	Stainless steel
Cover	PVC
O-ring	EPDM

Dimensions

Y92E-S08

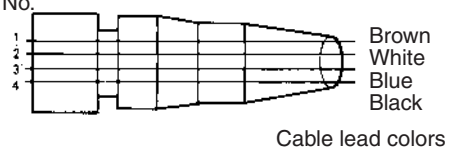


Y92E-S12



Wiring Diagram (M8 and M12)

Contact No.



Robot Cable Connectors (M8/M12)

XS3F-_-R, XS2F-_-R

Ordering Information

Type	Size	Material		Features	Shape	Length (m)	Order code				
		Nut	Cable								
Vibration-proof robot cable (screw on)	M8	Brass (CuZn)	PVC	4 pin	Straight	2	XS3F-M421-402-R				
						5	XS3F-M421-405-R				
					Angled	2	XS3F-M422-402-R				
						5	XS3F-M422-405-R				
Vibration-proof robot cable (snap on)	M8	Thermoplastic	PVC	4 pin	Straight	2	XS3F-S421-402-R				
						5	XS3F-S421-405-R				
					Angled	2	XS3F-S422-402-R				
						5	XS3F-S422-405-R				
Vibration-proof robot cable (screw on)	M12	Brass (CuZn)	PVC	2 wire	Straight	2	XS2F-D421-DA0-R				
							XS2F-D421-D80-R				
						5	XS2F-D421-GA0-R				
							XS2F-D421-G80-R				
				4 wire	Angled	2	XS2F-D422-DA0-R				
							XS2F-D422-D80-R				
						5	XS2F-D422-GA0-R				
							XS2F-D422-G80-R				
				Vibration proof robot cable (srew on) for AC usage	M12	Brass (CuZn)	PVC	2 wire	Straight	2	XS2F-A421-DB0-R
											XS2F-A421-D90-R
										5	XS2F-A421-GB0-R
											XS2F-A421-G90-R
4 wire	Angled	2	XS2F-A422-DB0-R								
			XS2F-A422-GB0-R								
		5	XS2F-A422-DB0-R								
			XS2F-A422-GB0-R								

Specifications

	M8	M12
Rated current	1 A	3 A
Rated voltage	125 VDC	125 VDC, 250 VAC
Degree of protection	IP67 (IEC529)	IP67 (IEC529)
Ambient temperature	Operating: -25°C to 70°C	Operating: -25°C to 70°C

Pin arrangement

M8	M12	AC type
DC type		
Socket		

Materials

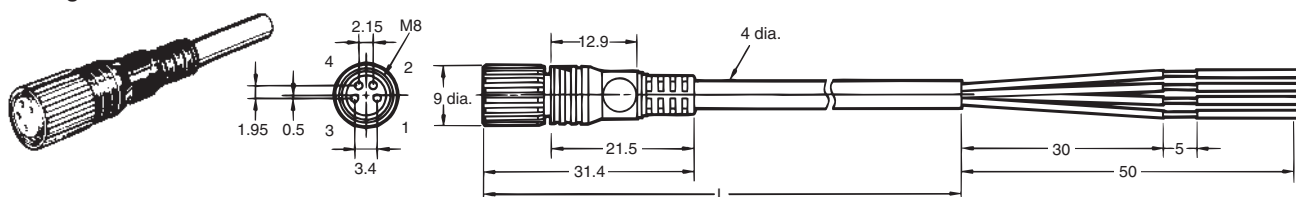
	M8	M12
Pin Block	PBT resin/light gray or black	PBT resin (UL94V-0), light grey or dark grey
Contacts	Brass/nickel base, 0.4- μ m gold plating	Phosphor bronze, nickel base, 0.4- μ m gold plating
Fixture	Brass/nickel plated	
Cover	Thermoplastic elastomer/black	Polyester elastomer
O-ring	Rubber	

Dimensions

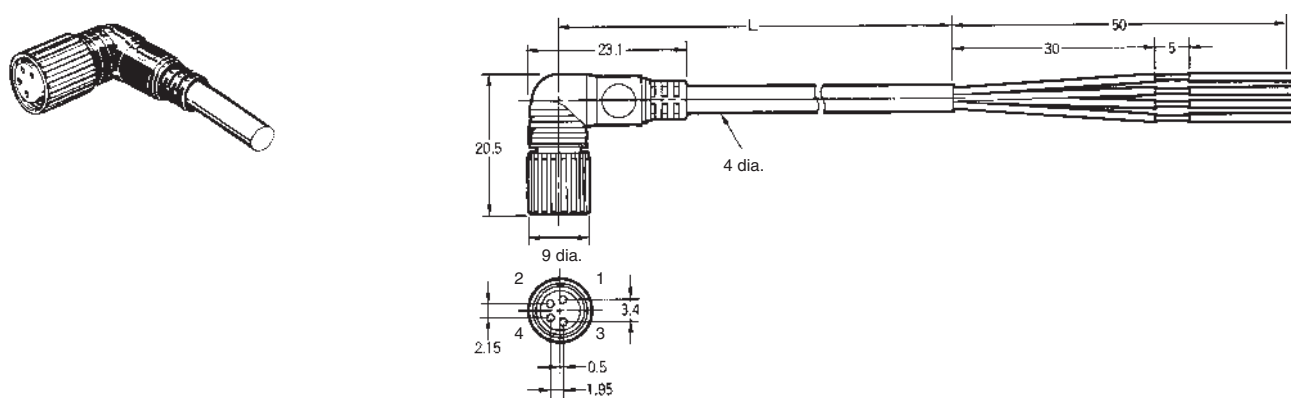
XS3F-_-R

M8 Screw-on cable connectors

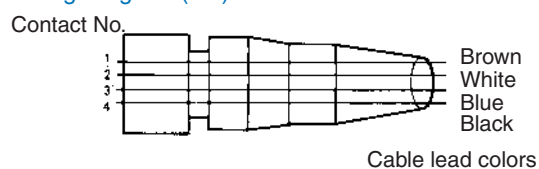
Straight Connectors



Angled Connectors

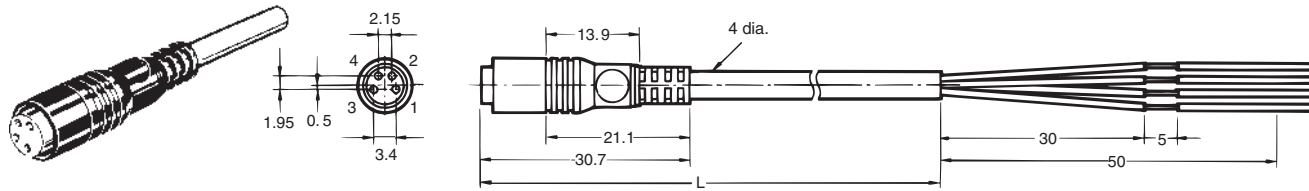


Wiring Diagram (M8)

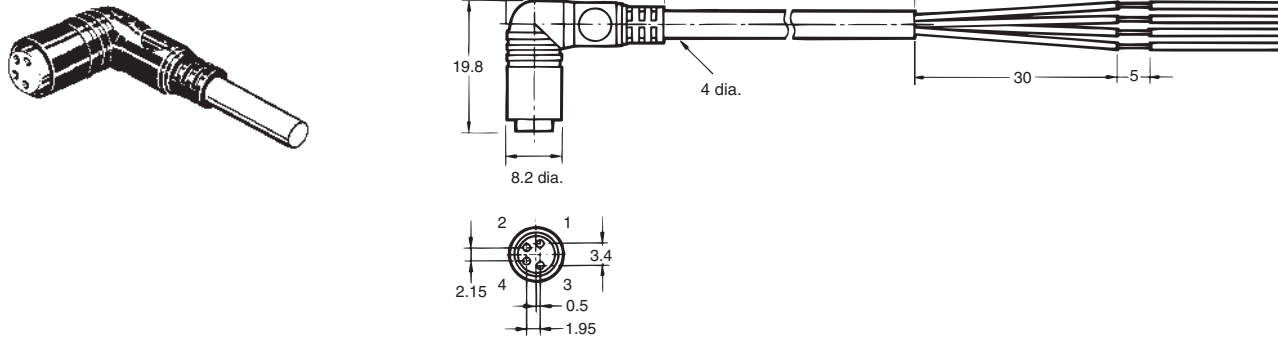


M8 Snap-on cable connectors

Straight Connectors



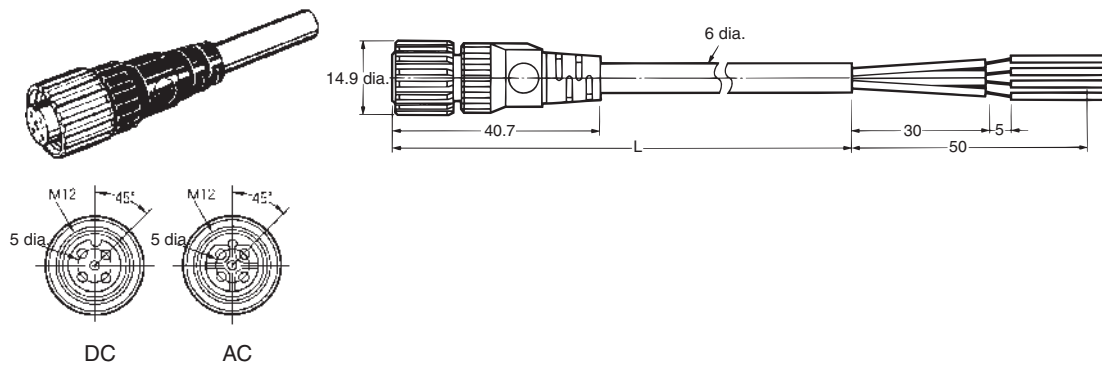
Angled Connectors



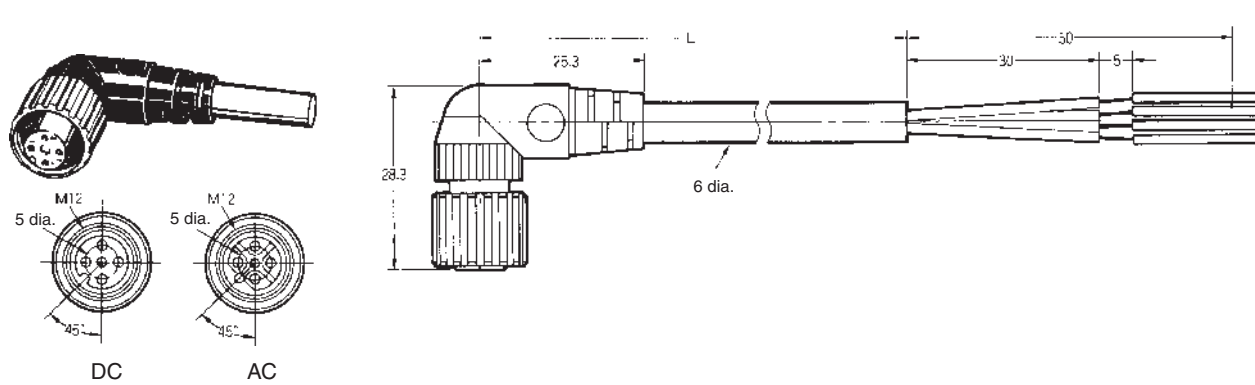
XS2F-_-R

M12 Screw-on cable connectors

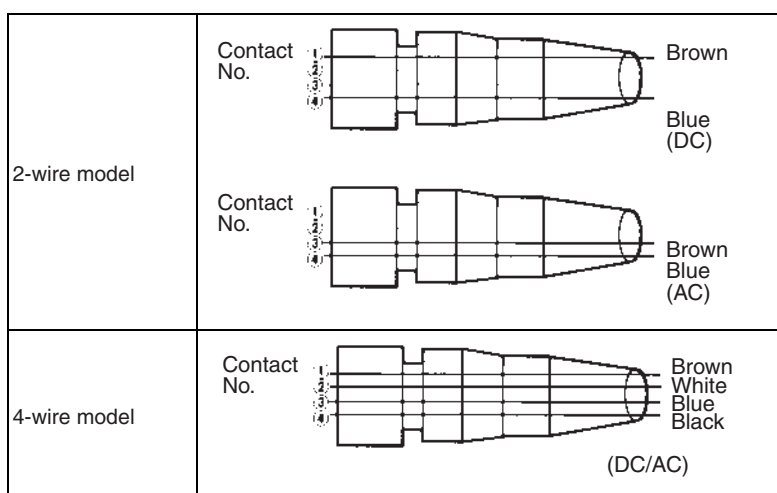
Straight Connectors



Angled Connectors



Wiring Diagram (M12)



Heat & chemical resistant cable connectors

XS2F-_-E

Ordering information

Type	Size	Material		Features	Shape	Length (m)	Order code
		Nut	Cable				
Heat and detergent resistant	M12	SUS316L	Heat resistant PVC	4 pin	straight	2	XS2F-E421-D80-E
						5	XS2F-E421-G80-E
					angled	2	XS2F-E422-D80-E
						5	XS2F-E422-G80-E

Specifications

Rated current	3 A
Rated voltage	125 VDC, 250 VAC
Degree of protection	IP67 (IEC 60529); IP69k (DIN 40050 part 9)
Ambient temperature	-25°C to 105°C

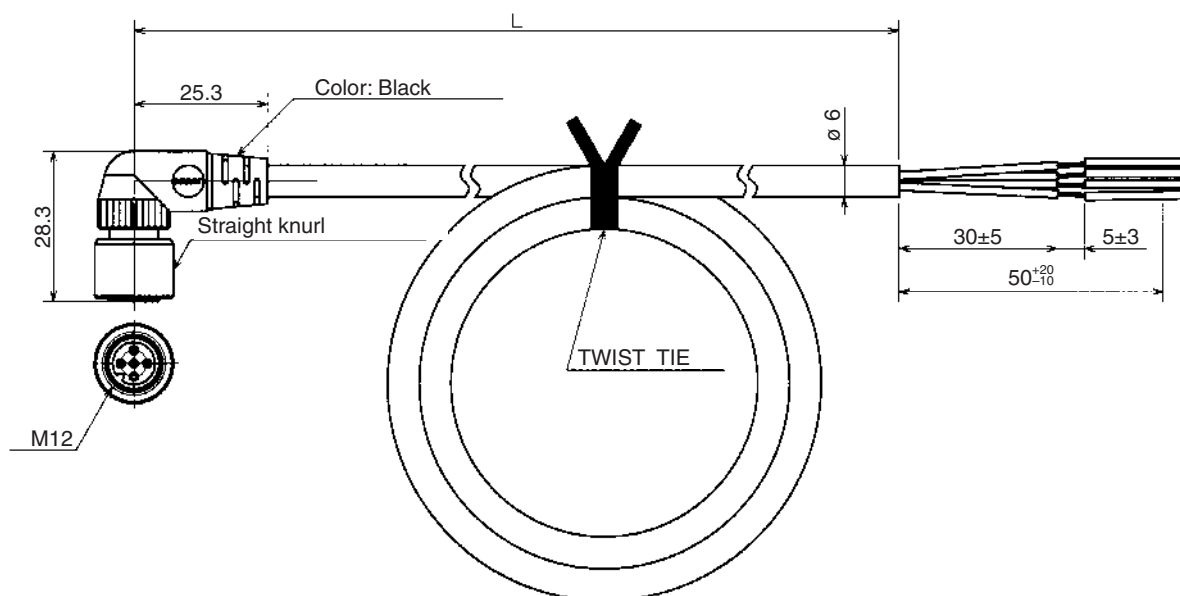
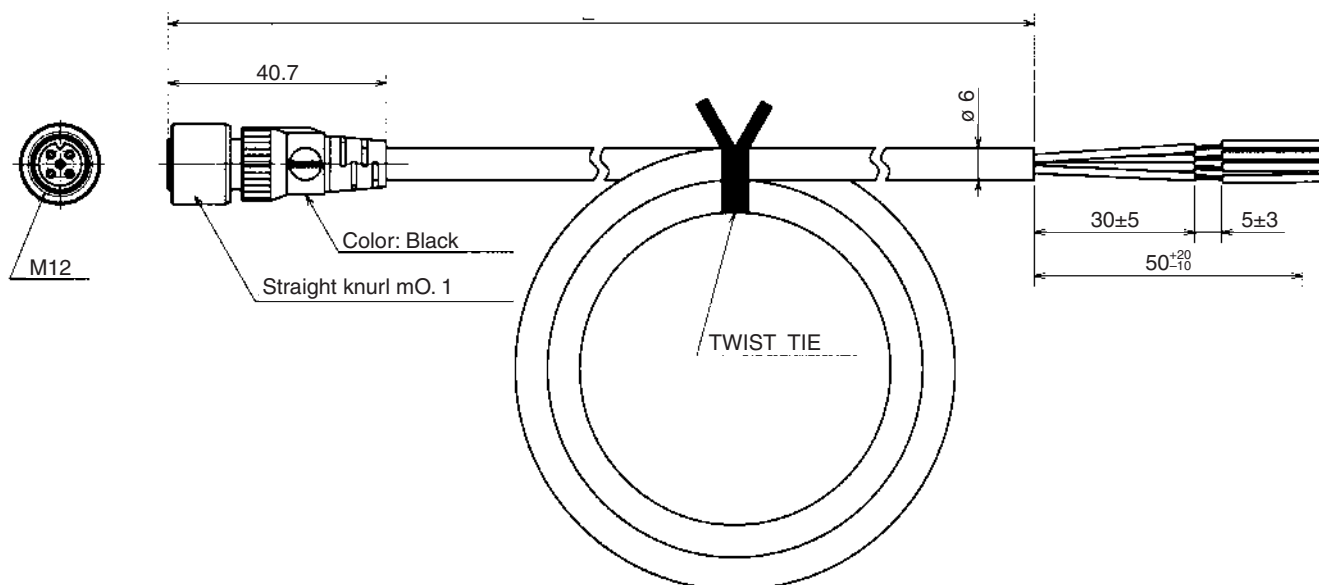
Pin arrangement

M12 4 pin	
	<p>1 = brown 2 = white 3 = blue 4 = black 5 = n.c.</p>

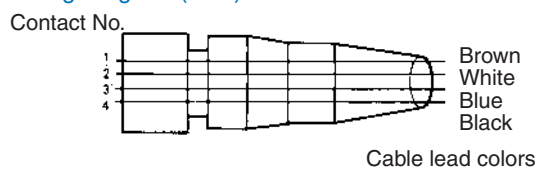
Materials

Pin block	PBT (UL94V-0), light gray
Contacts	Phosphor bronze, nickel base, 0.4 μm gold plating
Fixture	SUS316L
Cover	TPEE (UL94V-0), black
O-ring	Rubber

Dimensions



Wiring Diagram (M12)



Twist & click (M12)

XS5F

Ordering information

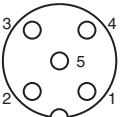
Type	Size	Material		Features	Shape	Length (m)	Order code
		Nut	Cable				
Twist & Click	M12	Brass	PVC	For standard 4 pin or Omron Smartclick connectors	Angled	2	XS5F-D422-D80-A
						5	XS5F-D422-G80-A
					Straight	2	XS5F-D421-D80-A
						5	XS5F-D421-G80-A

Note: The XS5F connectors can be attached to standard M12 plug connectors (screw-fix) and to XS5 plug connectors (twist & click). For details on the twist & click locking mechanism refer to XS5 data sheet.

Specifications

Rated current	4A
Rated voltage	125 VDC, 250 VAC
Degree of protection	IP67 (IEC 60529)
Ambient temperature	-25°C to 70°C

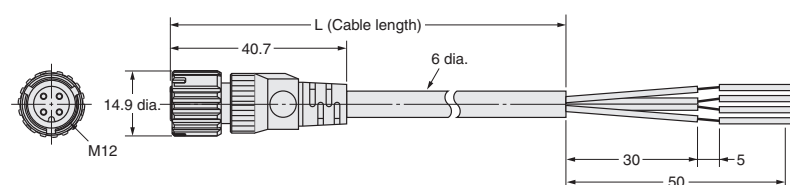
Pin arrangement

M12 4 poles	
	1 = brown 2 = white 3 = blue 4 = black 5 = n.c.

Materials

Pin block	PBT resin (UL94V-0)
Contacts	Phosphor bronze/nickel base, 0.4 μm gold plating
Fixture	Zinc alloy/nickel plated
Cover	Polyester elastomer (UL94V-0)
O-ring	Rubber

Dimensions



Confectionable plugs and connectors (self-assembly)

XS2C, XS2G, Y92E-_-conf

Ordering information

Type	Size	Material Nut	Features	Shape	Order code		
Plug (male)	M8	Polyester elastomer	3 pin	straight	Y92E-MM08PVC3Sconf-L		
			4 pin		Y92E-MM08PVC4Sconf-L		
	M12		4 pin	crimp	straight	XS2G-D4C3	
				solder	angled	XS2G-D423	
			5 pin	screw fix	straight	XS2G-D424	
					angled	XS2G-D5S1	
	4 pin twist & click (for 4-5mm cables)		screw fix	straight	XS2G-D5S2		
				angled	XS2G-D4S3		
XS2G-D4S4							
Connector (female)	M8	Polyester elastomer	3 pin	straight	Y92E-M08PVC3Sconf-L		
			4 pin		Y92E-M08PVC4Sconf-L		
	M12		4 pin	crimp	straight	XS2C-D4C3	
				solder	angled	XS2C-D423	
			5 pin	screw fix	crimp	straight	XS2C-D4C4
					solder	angled	XS2C-D424
	XS2C-D5S1						

Specifications

	Y92E	XS2G, XS2C
Rated current	4 A	
Rated voltage	36 VDC	125 VDC, 250 VAC
Degree of protection	IP67 (IEC60529)	
Ambient temperature	-25°C to 70°C	

Pin arrangement

M8		M12			
Plug	Connectors	Plug	Connectors		
4 pin	4 pin	4 pin	5 pin	4 pin	5 pin
4 pin: 1 = brown 2 = white 3 = blue 4 = black			5 pin: 1 = brown 2 = white 3 = blue 4 = black 5 = green / yellow		

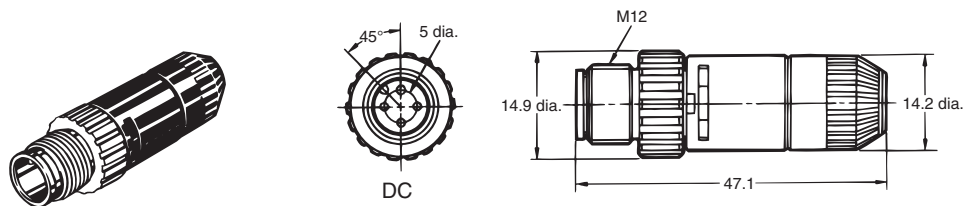
Materials

	Y92E	XS2G, XS2C
Pin block	PVC	PBT resin (UL94V-0)
Contacts	CuSn, nickel base, 0.3 µm gold plating	Brass/nickel base, 0.4 µm gold plating
Fixture		Brass/nickel base
Cover	PVC	PBT resin (UL94V-0)
O-ring	FKM	Rubber

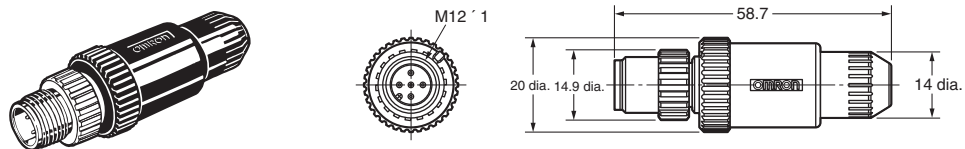
Dimensions

Plugs (male)

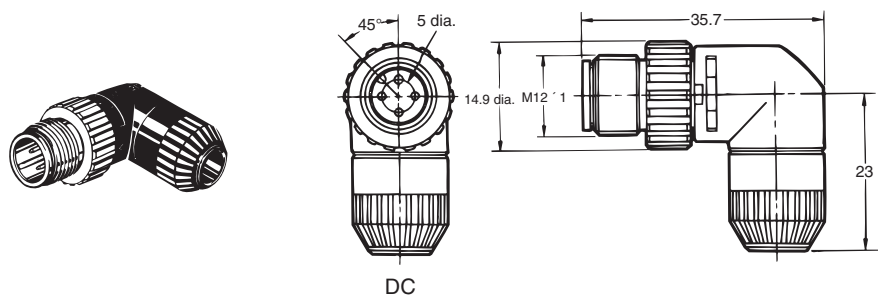
XS2G-D4C□ (Crimping Model, Straight),
XS2G-D42□ (Soldering Model, Straight)



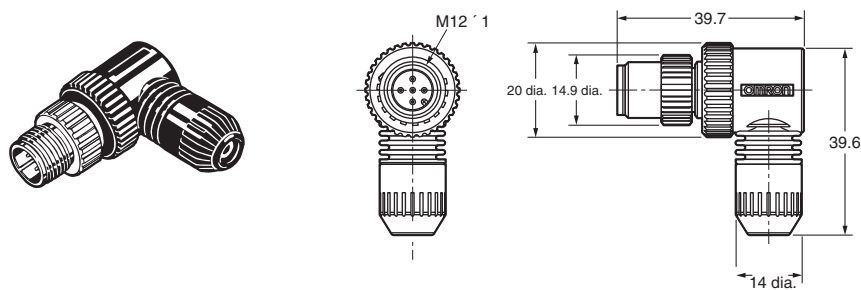
XS2G-D5S1 (Screw-on model, Straight)



XS2G-D42□ (Soldering Model, L-shaped)

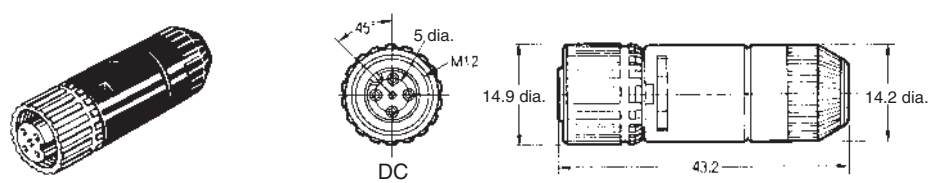


XS2G-D5S2 (Screw-on model, angled)

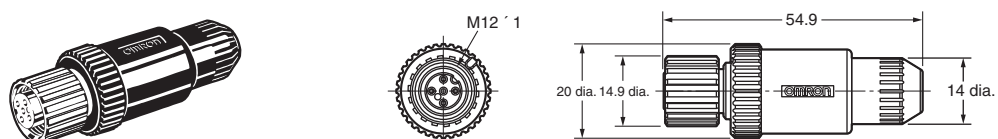


Connectors (female)

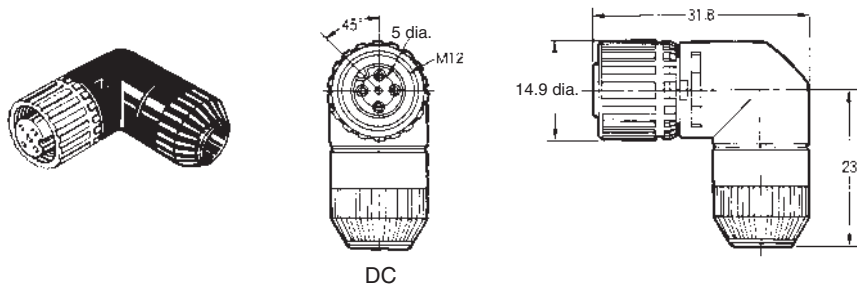
XS2C-D4C□ (Crimping Model, Straight),
XS2C-D42□ (Soldering Model, Straight)



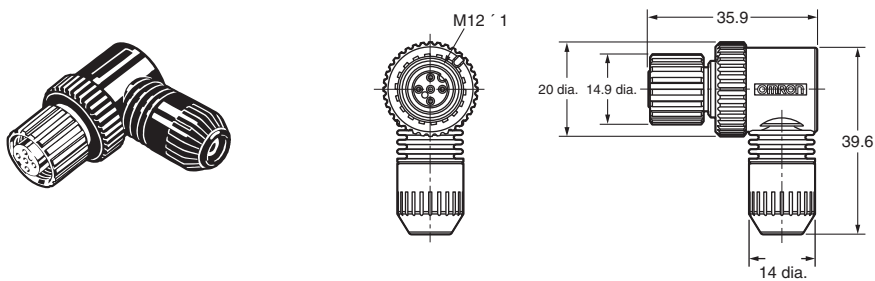
XS2C-D5S1 (Screw-on model, straight)



XS2C-D4C□ (Crimping Model, L-shaped)
 XS2C-D42□ (Soldering Model, L-shaped)



XS2C-D5S2 (Screw-on model, angled)



Field I/O boxes

XW3B, XW3D, DRT2

Ordering information

Type	Nr of inputs/ outputs	Output configuration	Connection	Order code
Direct wiring	4 x M12 inputs	PNP ^{*1}	5m pre-wired	XW3B-P453-G11
	6 x M12 inputs			XW3B-P653-G11
	8 x M12 inputs			XW3B-P853-G11
Direct wiring with M12 Twist&click	4 x M12 with smartclick inputs	PNP ^{*1}	5m pre-wired	XW3D-P453-G11 ^{*2}
	8 x M12 with smartclick inputs			XW3D-P853-G11 ^{*2}
DeviceNet	4 x M12 inputs	PNP ^{*1}	M12 (M12 DeviceNet cables are available)	DRT2-ID04CL-1
	8 x M12 inputs			DRT2-ID08CL-1 ^{*3}
	16 x M12 inputs			DRT2-HD16CL-1 ^{*3}
	8 x M12 inputs + 8 x M12 outputs			DRT2-MD16CL-1

^{*1} NPN types are available on request

^{*2} For details refer to Omron XS5 product information

^{*3} Separate power supply. Models with power supply via DeviceNet cable are available

Specifications

	XW3B/XW3D	DRT2
Rated current	4 A/port (signal lines) 12 A/box (power lines)	6 mA input 0.5 A per point (output)
Rated voltage	10 to 30 VDC	24 VDC
Degree of protection	IP67 (IEC 60529)	
Operating temperature	-25°C to 70°C	-10°C to 55°C

Note: For details and dimensions refer to separate datasheet or www.industrial.omron.eu

Fiber amplifier connectors

E3X-CN

Ordering information

Type	Size	Features	Order code
Fiber amplifier connector	Special connector 17,8x10x15,1	4 wire; 2 m PVC cable	E3X-CN21
		3 wire; 2 m PVC cable	E3X-CN11
		2 wire slave cable; 2 m PVC	E3X-CN22 ^{*1}
		1 wire slave cable; 2 m PVC	E3X-CN12 ^{*1}
		M8 4-pin plug with 30 cm PVC cable	E3X-CN21-M3J-2 0.3M
		M12 4-pin plug with 30 cm PVC cable	E3X-CN21-M1J 0.3M

^{*1} Slave connectors can be used to reduce wiring effort. The setup requires 1 master amplifier with the slave amplifiers directly mounted attached. The power supply is then provided by the master amplifier via the clipped on slave connectors. For 4-wire masters use 2-wire slaves and for 3-wire masters 1-wire slaves.

Specifications

Rated current	2.5 A
Rated voltage	50V
Degree of protection	IP50 (EC 60529)
Ambient temperature	Groups of 1 or 2 amplifiers: -25 to 55°C
	Groups of 3 to 10 amplifiers: -25 to 50°C
	Groups of 11 to 16 amplifiers: -25 to 45°C

Materials

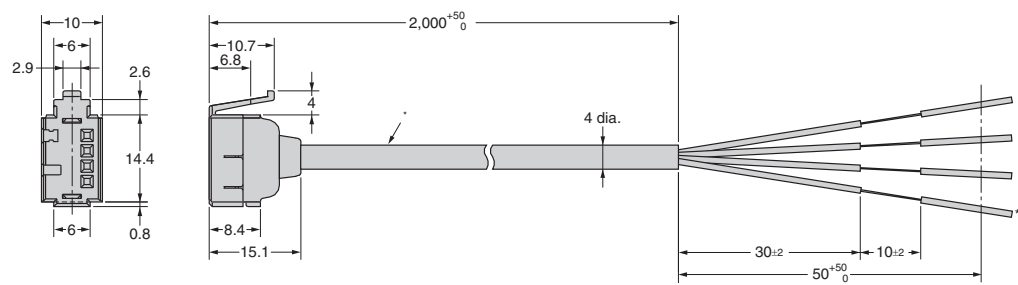
Housing	Polybutylene terephthalate (PBT)
Contacts	Phosphor bronze/ gold plated/ nickel

Pin arrangement

	Connector	Cable colour	
M8	1	brown	+
	2	orange/white	Output 2 or ext. input
	3	blue	-
M12	4	black	Output 1
		pink	Ext. Input

Dimensions

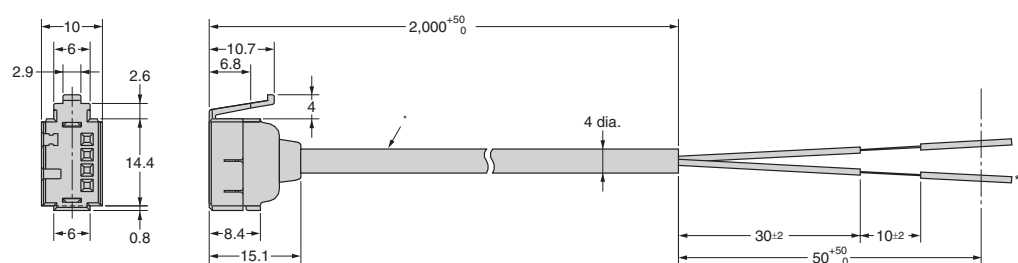
Master connectors E3X-CN21/E3X-CN11



* E3X-CN21: 4-dia. vinyl-insulated round cable with 4 conductors (Conductor cross section: 0.2 mm², Insulator diameter: 1.1 mm)

^{*1} Only E3X-CN21

Slave connectors E3X-CN22/E3X-CN12



* E3X-CN21: 4-dia. vinyl-insulated round cable with 4 conductors (Conductor cross section: 0.2 mm², Insulator diameter: 1.1 mm)

^{*2} Only E3X-CN22

Photomicrosensor connectors

EE-1

Ordering information

Type	Size	Features	Applicable sensors	Ordercode
Pin connector for soldering	13x4x10.8	For dark on	EE-SX47/67	EE-1001
		For light on		EE-1001-1
Cable connector	13x4x13.5	standard cable		EE-1010 2M
		robotic cable		EE-1010-R 2M
	10x5.8x8	standard cable	EE-1017 1M	
		robotic cable	EE-1017-R 1M	
Cable connector for EE-SX91 pigtail versions	10x5.8x8	robotic cable	EE-SX91	EE-1016-R

Specifications

Rated voltage	5 to 24 VDC
Degree of protection	IP50 (IEC 60529)
Ambient temperature range	operating: -25 to 55°C
	storage: -30 to 80°C

Material

	EE-1001	EE-1010/EE-1016	EE-1017
Housing	Nylon		
Contacts	Phosphor bronze		
Cable	-	PVC 2 m	PVC 1 m (3 m are available on request)

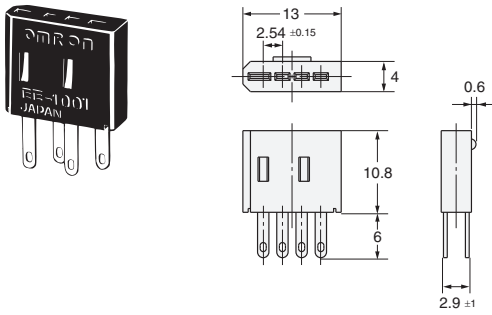
Pin arrangement

	EE-1001, EE-1010		EE-1016		EE-1017	
1	+	Brown	+	Brown	+	Brown
2	L	Pink	output 2	White	1	Black
3	out	Black	-	Blue	2	White
4	-	Blue	output 1	Black	-	Blue

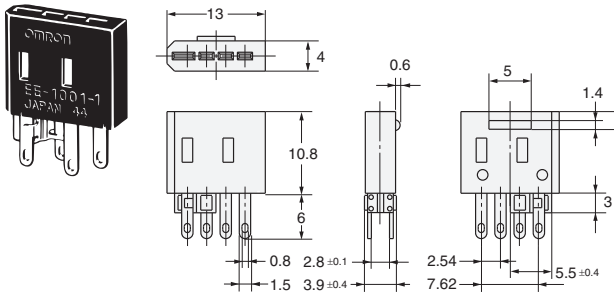
Note: For the connector EE-1001-1 the pins 1(+) and 2 (L) are short circuited

Dimensions

Connector
EE-1001

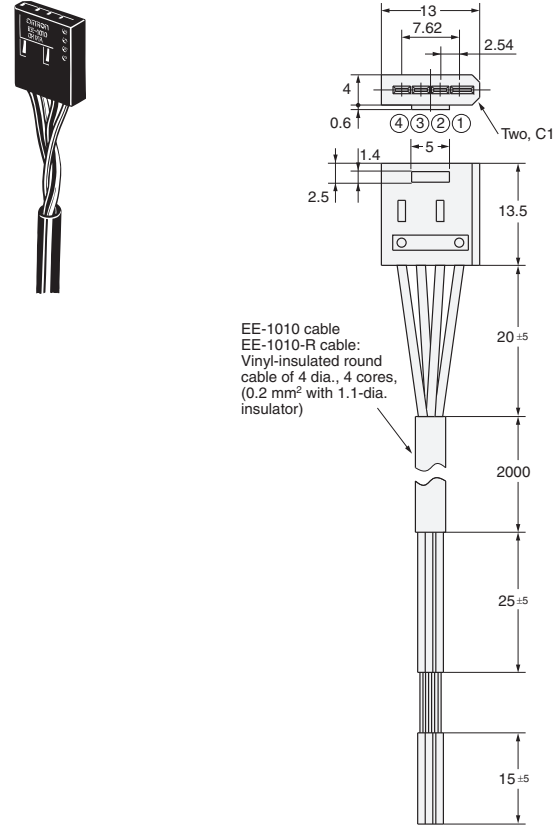


Connector
(short-circuited between positive (+) and L terminals)
EE-1001-1

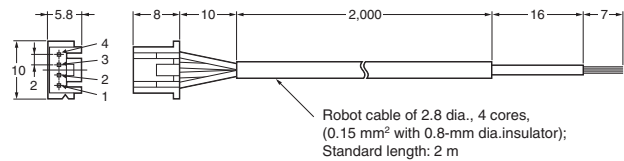


Connector with Cable
EE-1010

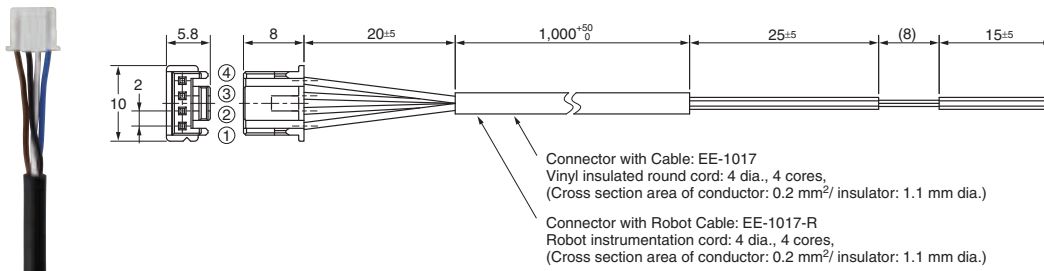
Connector with Robot Cable
EE-1010-R



Connector with Robot Cable
EE-1016-R



Connector with Robot Cable
EE-1017-R



T-connectors, Covers, Accessories, extended wiring portfolio

XS2

Name	Model		Appearance
Cable connectors with plugs (open end or connector end)	XS2W Plug connectors (Connector end)		
	XS2H Plug connectors (Open end)		
Connector Assembly Accessories (Crimping, Soldering, or Screw-on)	XS2F Crimp Tool (for Crimping Connectors)		
	XS2U Crimping pin (for XS2G/XS2C)		
	XW4Z Screwdriver (for Screw-on Connectors)		
Panel-mounting Connectors	XS2P Sockets (M12) XS3P Sockets (M8)		
	XS2M Plugs (M12) XS3M Plugs (M8)	Flange-mounting Plugs	
		Screw-mounting Plugs	
T-Joints and Y-Joints Used for branching and for daisy-chain connections.	XS2R T-Joint/Y-Joint Plug/Socket Connectors (M12) XS3R Y-Joint Plug/Socket Connectors (M8)	T-Joints	
		Y-Joints	
Dust covers Used to protect unused connector ports	XS2Z (M12) XS3Z (M8)	Connector plugs	
		Connector covers	



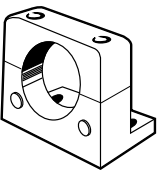


Note: For details on these products, contact your Omron representative


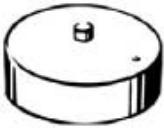

Mounting accessories for standard photoelectric, inductive and capacitive sensors

E39, Y92E





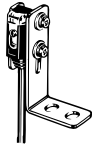
Mounting brackets and covers






For cylindrical shapes





Shape	Product group	Type	Housing material	Features	Applicable sensors	Order code
	Mounting brackets	general purpose - screw fix	plastic	- cost efficient mounting bracket - for M8, M12, M18, M30 - surface mounting	-E3F2 -E2A	Y92E-B8 Y92E-B12 Y92E-B18 Y92E-B30
		general purpose - snap fix	stainless steel	- for dia 20 mm	-E3FZ (snap mount)	E39-EL8
				- for M18	-E3FZ (mounting with M18 nuts) -E3F2	E39-EL12
		general purpose - screw fix	plastic	- for dia 34 mm	-E2K-C	Y92E-A34
		quick access - snap fix		- snap fix for quick sensor access - for M8, M12, M18, M30 - surface mounting	-E3F2 (metal housing) -E2A (metal housing)	Y92E-BC8 Y92E-BC12 Y92E-BC18 Y92E-BC30
		quick access - clamp fix		stainless steel	- clamp fix for quick sensor access with exact repositioning - for M8, M12, M18, M30 - through mounting	








Shape	Product group	Type	Housing material	Features	Applicable sensors	Order code
	Protective covers	general purpose sensor head protection	polyarylate	- for M8, M12, M18, M30 - for shielded and unshielded	-E2A	Y92E-E8 Y92E-E12 Y92E-E18 Y92E-E30
		sputter protection for sensor head	silicone rubber	- increased protection in weld fields - for M12, M18, M30 - for shielded sensors		Y92E-E12-2 Y92E-E18-2 Y92E-E30-2
		general purpose lens protection	metal rim with glass cover		E3F2	E39-F31

For square shapes



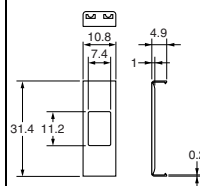


Shape	Type	Housing material	Features	Mounting type	Applicable Sensors	Order code
	General purpose mounting	Stainless steel (SUS 304)	inclination angle adjustment	side wall mounting	E3Z	E39-L43
				back wall mounting		E39-L44
			surface mounting	E39-L104		
			back wall mounting	E3T-S	E39-L117	
			surface mounting		E39-L116	

Shape	Type	Housing material	Features	Mounting type	Applicable Sensors	Order code
			up/down position adjustment	back wall mounting	E3T-F	E39-L119
				side wall mounting		E39-L120
	General purpose mounting	Stainless steel (SUS 304)	inclination angle adjustment	back wall mounting	E3G-R	E39-L132
				side and back wall mounting		E39-L131
				surface mounting	E3G-L	-E39-L139 -E39-L140

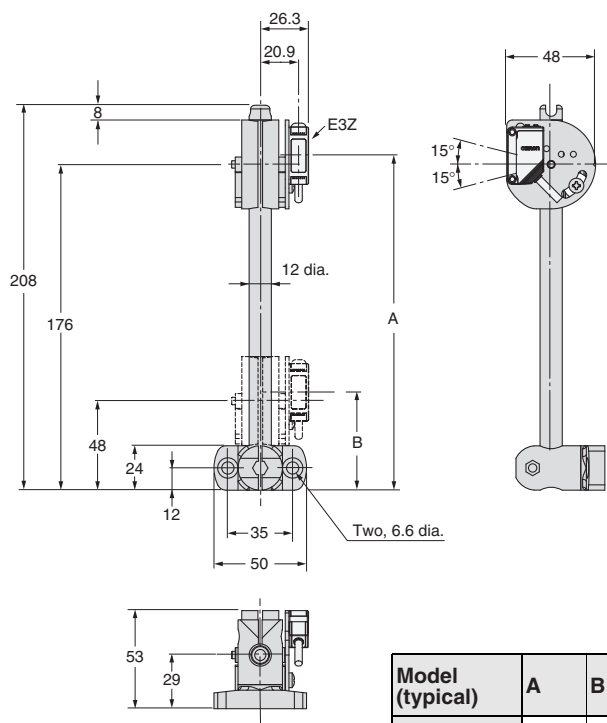
Shape	Type	Housing material	Features	Mounting type	Applicable Sensors	Order code
	General purpose mounting	Stainless steel (SUS 304)	3D rotation	surface, side and backwall mounting	E3G, E3Z	E39-EL4
					E3T, E3Z, E3C	E39-EL5
					E39-EL6	
	Side protection		inclination angle adjustment	protective side wall mounting	E3T-S	E39-L118

Shape	Type	Housing material	Features	Mounting type	Applicable Sensors	Order code	
	Full protection	Stainless steel (SUS 304)	inclination angle adjustment	protective side wall mounting	E3Z (pre-wired types)	E39-L142	
			horizontal angle adjustment	protective surface mounting		E39-L144	
					-E3Z	E39-L98	
	Telescope mounting		Stainless steel (SUS 304)	- 360° horizontal rotation - max telescope length	side and back wall mounting	-E3Z -E39-R3	-E39-L150 -E39-L151
				3D rotation around x, y, and z-axis	side wall, back wall and surface mounting		E39-L93FH E39-L93FV
				Extension pipe with XY joint	pipe mounting	E39-L93_	E39-L93XY
		Reflector adapter for E39-L93_		telescope mounting	-E39-R1 -E39-R1S	E39-L96	

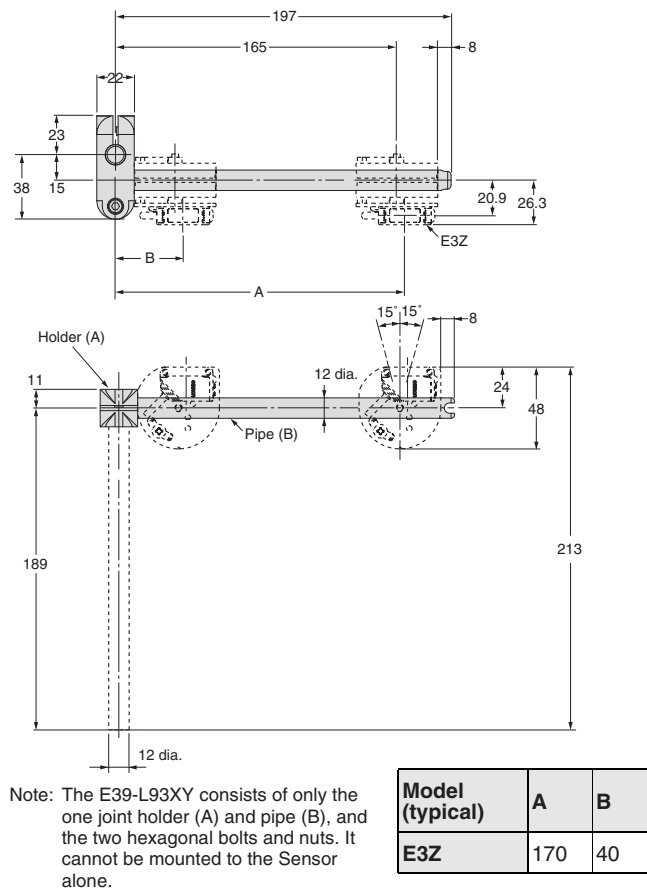
Slit, filters and other accessories

Shape	Type	Features	Mounting type	Applicable Sensors	Order code
	Precision detection slit cover	- slit width from dia 0.5 mm for min object size detection of dia 0.2 mm	snap on	E3Z-T	E39-S65
				E3T-□T	-E39-S63 -E39-S64
	Mutual interference prevention	polarizing filter for close mounting of multiple sensors through beam sensors		E3Z-T□A	E39-E11
	Adjustment aid	adjustment aid for sensitivity adjustment	E3T-ST1	E39-E10	
			photo electric sensors with adjustable potentiometers	E39-G2	

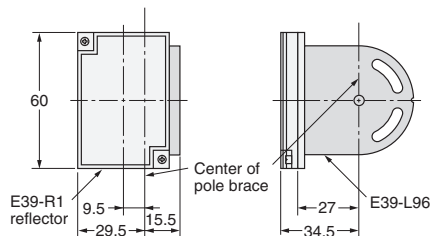
E39-L93FV



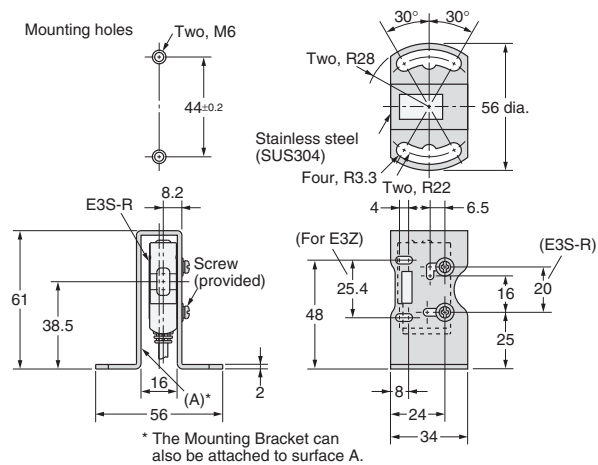
E39-L93XY



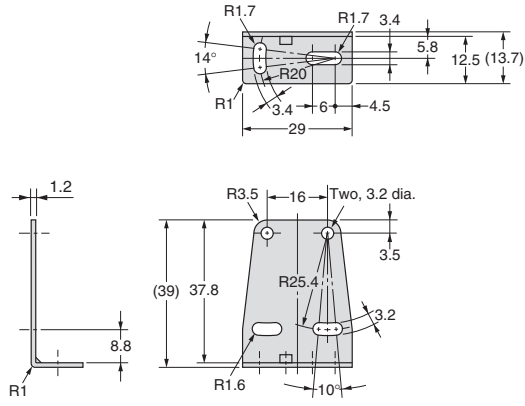
E39-L96



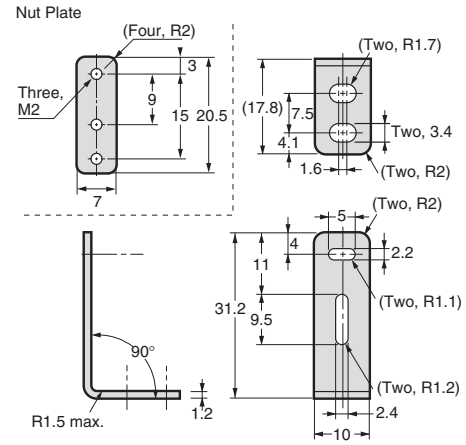
E39-L98 (Vertical)



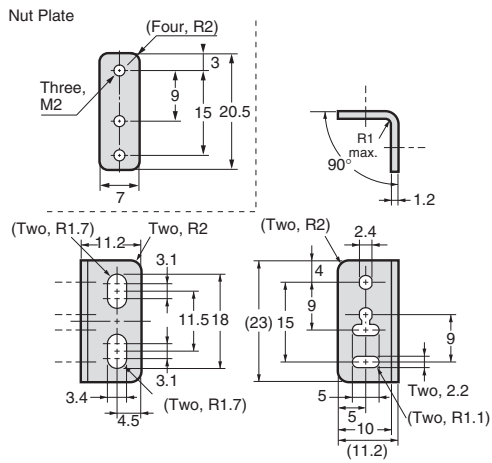
E39-L104



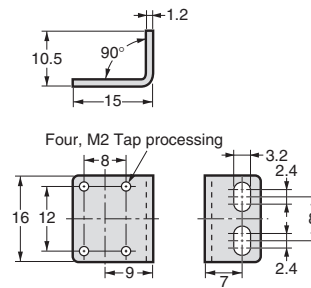
E39-L116



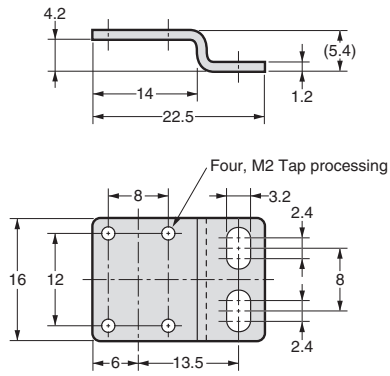
E39-L117



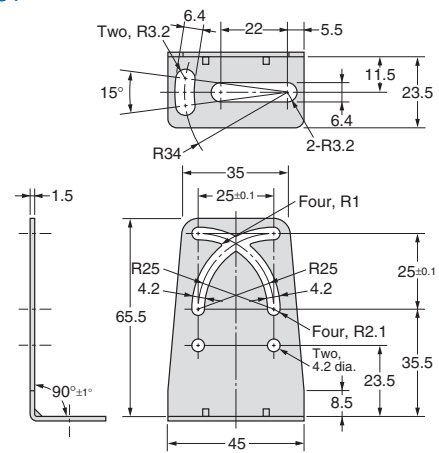
E39-L119



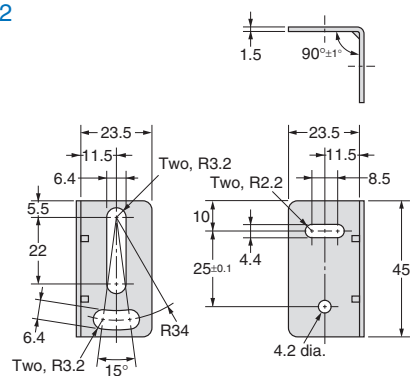
E39-L120



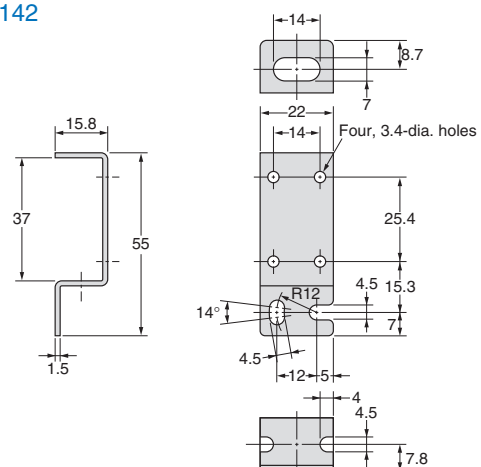
E39-L131



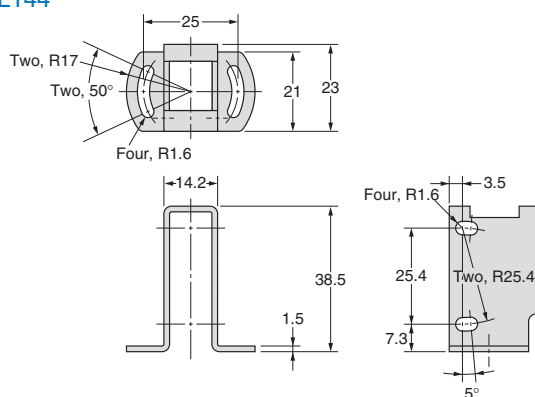
E39-L132



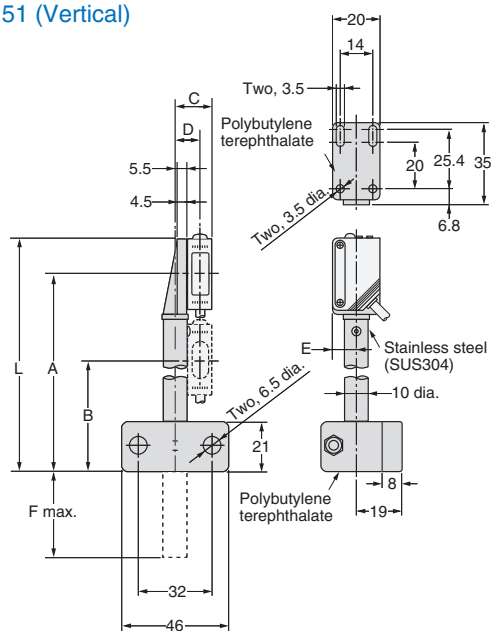
E39-L142



E39-L144



E39-L150 (Vertical)
E39-L151 (Vertical)



E39-L150








Model (typical)	A	B	C	D	E	F
E3Z	84.5	47.5	16.3	10.9	10	37

Model	L
E39-L150	100
E39-L151	200












Reflectors for retro-reflective photoelectric sensors

E39-R



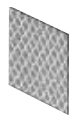









Accessories

Shape	Type	Housing material	Features	Size in mm	Applicable Sensor	Order code
	General purpose reflectors	ABS base Acrylic surface	Surface screw mounting (diagonal holes)	40x60x7.5	Retro-reflective photoelectric sensors – without M.S.R Retro-reflective photoelectric sensors – with M.S.R. ^{*1}	E39-R1S
			Surface screw mounting (holes on one side only)	35.4x42.3x8		E39-R9
			Surface screw mounting (holes on one side only)	51.4x60.3x8.5		E39-R42
	Small size		Side screw mounting or surface selfadhesive	41.8x22.5x11		E39-R3
			Side screw mounting or surface selfadhesive	23x13.7x4.9		E39-R4
	Large size		Surface screw mounting	100x100x9		E39-R8
		Surface screw mounting	84.5x84.5x8.7	E39-R40		

*1 Mirror Surface Rejection (MSR) is realized by using polarization filters

Shape	Type	Housing material	Features	Size in mm	Applicable Sensor	Order code
	High precision	ABS base Acrylic surface	Microtripel for improved performance with fine beam sensors	52x40x4.8	Recommended for fine beam coaxial models (E3C-LR, E3Z-LR, E3T-SR4)	E39-R6
				30x45		E39-R12
				14x23x1		E39-R37-CA
				12x24		E39-R13
	Simple mounting	ABS base Acrylic surface	Round shape with centered mounting hole for simple screw mounting	Diameter: 84 Depth: 7.4	Photoelectric sensors with and without M.S.R. ^{*1}	E39-R7
	Snap mounting		Snap mounting for fast installation	Diameter: 30 Diameter of snap mount tool: 5		Recommended for snap mounting sensor E3FZ
	Enhanced detergent resistance	PVC	Surface screw mounting IP69k after DIN 40050 part 9	40x60x7.5	Recommended for harsh environment sensors	E39-R50
				20x60x6		E39-R51
	Highest detergent resistance	SUS316L Borosilicat	Surface screw mounting	43x30x5	Recommended for harsh environment sensors	E39-R16
	Heat resistant	Borosilicat	Surface screw mounting 450°C heat resistance Suitable for vacuum environment	95x51x8		E39-R47
	Non-fogging reflector	ABS Acrylic surface	Anti-fogging coating	40x60x7.5		E39-R1K

^{*1} Mirror Surface Rejection (MSR) is realized by using polarization filters

Shape	Type	Housing material	Features	Size in mm	Applicable Sensor	Order code	
	Special polarizing	ABS base PMMA surface	Special polarizing filter to PET	40x80x8.5	E3ZM-B	E39-RP1	
	General purpose tape reflectors	Acrylic	Self adhesive Pre cut	35x10x0.7	Photoelectric sensors with and without M.S.R.* ¹	E39-RS1	
				40x35x0.7		Optimised for E3T-SR4	E39-RS1-CA
				80x70x0.6		E39-RS2	
					Optimised for E3T-SR4	E39-RS2-CA	
					E39-RS3		
				Self adhesive Self cut/roll material	25 mm x 5 m		E39-RS25 5 m
					25 mm x 22.8 m		E39-RS25 22.8 m
					50 mm x 5 m		E39-RS50 5 m
		50 mm x 22.8 m			E39-RS50 22.8 m		
	High precision tape reflectors		Self adhesive Pre cut	195x22	Recommended for fine beam and laser sensors (E3Z-LR, E3C, E3X)	E39-RS4	
				108x46		E39-RS5	

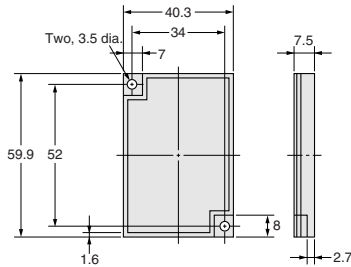
*¹ Mirror Surface Rejection (MSR) is realized by using polarization filters

Dimensions

E39-R1S
E39-R1K *



Material, reflective surface: acrylic
Rear surface: ABS

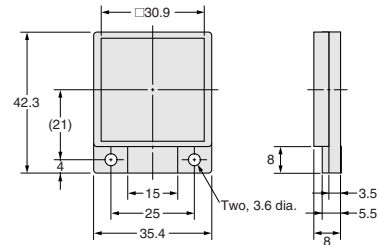


*E39-R1 only
Coating on reflective surface

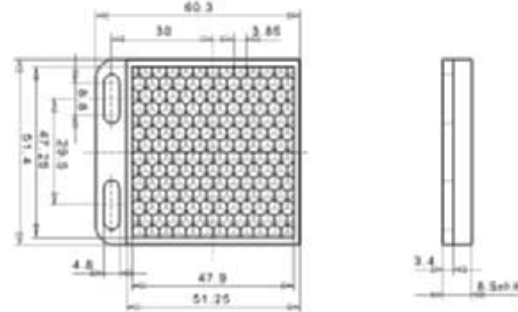
E39-R9



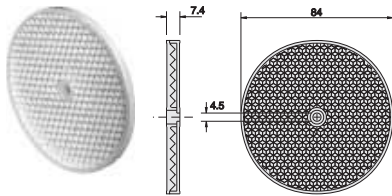
Material, reflective surface: acrylic
Rear surface: ABS



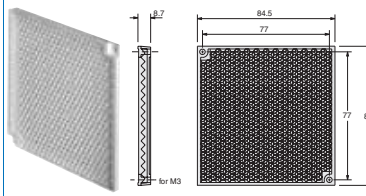
E39-R42



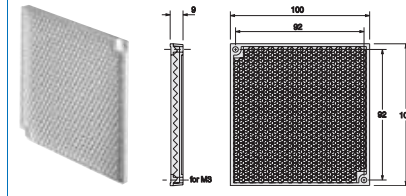
E39-R7



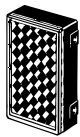
E39-R40



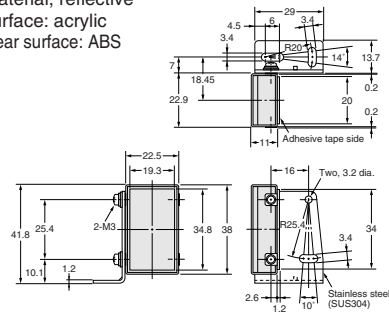
E39-R8



E39-R3



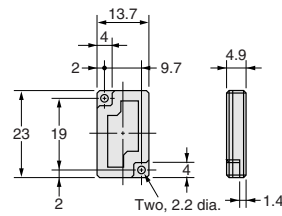
Material, reflective surface: acrylic
Rear surface: ABS



E39-R4

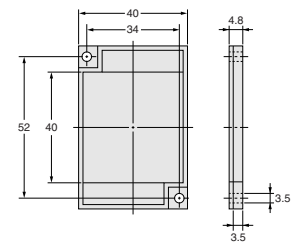
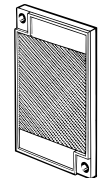


Material:
Reflective surface: acrylic
Rear surface: ABS



E39-R6

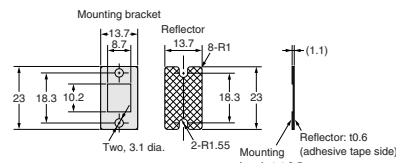
Material, reflective surface: acrylic
Rear surface: ABS



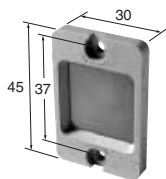
E39-R37-CA



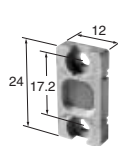
Material:
Mounting plate: stainless steel (SUS301)
Reflective surface: acrylic
Note: The reflective plate and mounting plate (1) come as a set.



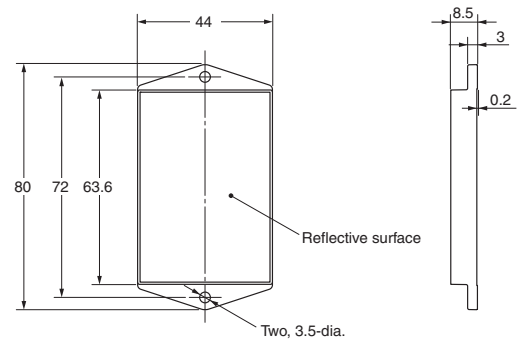
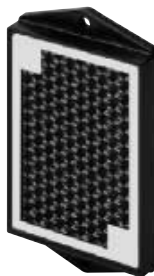
E39-R12/-R14



E39-R13



E39-RP1



Cat. No. E26E-EN2-04

In the interest of product improvement, specifications are subject to change without notice.

OMRON EUROPE B.V.

Wegalaan 67-69,
NL-2132 JD, Hoofddorp,
The Netherlands
Phone: +31 23 568 13 00
Fax: +31 23 568 13 88
www.eu.omron.com

X-ON Electronics

Largest Supplier of Electrical and Electronic Components

Click to view similar products for [Sensor Fixings & Accessories](#) category:

Click to view products by [Omron](#) manufacturer:

Other Similar products are found below :

[EC18-WELL](#) [SA9Z-F11](#) [E4R-R12A-CS3M010](#) [E4R-R12A-CS3M020](#) [BS-1T](#) [CHITAN](#) [ICAB-1](#) [SA9Z-S07PN02](#) [ECT18-WELL](#) [57142-000](#)
[79450811](#) [T18908](#) [P2435.3](#) [TM1STNTCW69755](#) [FRS2](#) [P2432.3](#) [P2434.3](#) [AS7030B_WRISTBAND](#) [AS7038GB_WRISTBAND](#) [EVAL-](#)
[CHAMBER](#) [EVAL-CHAMBER-10](#) [MB18A](#) [R-6717-4F6](#) [51001R](#) [430233](#) [440101](#) [440102](#) [440121](#) [440122](#) [440131](#) [440132](#) [440135](#)
[440136](#) [440147](#) [XSZB108](#) [Y92E-BC12](#) [Y92E-BC18](#) [843-12AC/DC](#) [844-12AC/DC](#) [771000-6011](#) [771000-6202](#) [812-12AC/DC](#) [834-](#)
[12AC/DC](#) [909G](#) [910G](#) [913G](#) [92.031.9058.1](#) [92.032.9058.1](#) [925G](#) [771000-6010](#) [GN 473-B12-MT](#)