

MICRO SWITCH
a Honeywell Division

FED. MF6 CODE 91929

SWITCH - BASIC

CATALOG LISTING

YA-2RQ1250-A2

ADG9219

CATALOG LISTING

YA-2RQ1250-A2

PAGE 1 OF 1

M

ISSUE 5

REPLACES X114681-YA

RELEASE NO. 207278

CHECK

01OCT09

CMH

01OCT09

27 JAN 03

S A V

CHECK

27 JAN 03

S A V

CHECK

27 JAN 03

S A V

CHECK

27 JAN 03

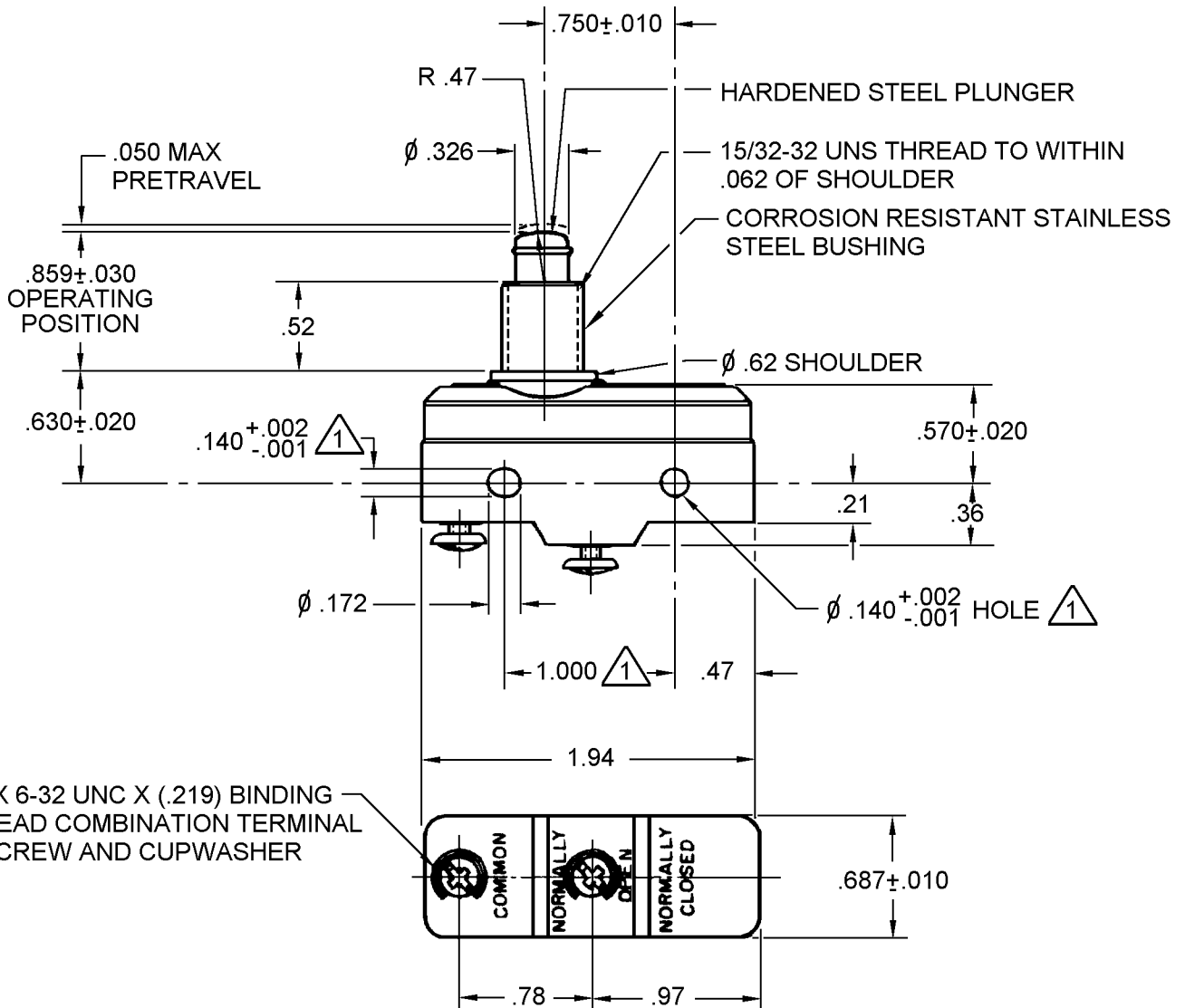
S A V

CHECK

27 JAN 03

S A V

CHECK



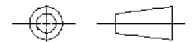
NOTES

- ① MOUNTING HOLES WILL ACCEPT PINS OR SCREWS OF $\phi .139$ MAX ON $1.000 \pm .002$ CENTERS
- 2 - HIGH TEMPERATURE PHENOLICS
- 3 - SWITCH WILL WITHSTAND TEMPERATURE OF 250°F

ANSI Y14.5M-1982 APPLIES

THIS DRAWING COVERS A PROPRIETARY ITEM AND IS THE PROPERTY OF MICRO SWITCH, A DIVISION OF HONEYWELL. THIS DRAWING IS NOT TO BE COPIED OR USED WITHOUT THE APPROVAL OF MICRO SWITCH.

THIRD ANGLE PROJECTION



CHARACTERISTICS	
OPERATING FORCE -----	14 - 22 OZ
RELEASE FORCE -----	10 OZ MIN
DIFFERENTIAL TRAVEL -----	.002 - .0075
OVERTRAVEL -----	.219 MIN

ELECTRICAL DATA	
CONTACT ARRANGEMENT	
S P N O	
L23	20A 125, 250 OR 480 VAC 10A 125 VAC "L" 1HP 125 VAC, 2HP 250 VAC 1/2A 125 VDC, 1/4A 250 VDC

SCALE	FULL	DO NOT SCALE PRINT
ONE PLACE (.0)		±.030
TWO PLACE (.00)		±.015
THREE PLACE (.000)		±.005
ANGLES		±

L288	
L308	
L315	
L319	

20(3)A 250V T85 5E4

WEIGHT

RASTER

DRAWN

C S L 27 JAN 03

X-ON Electronics

Largest Supplier of Electrical and Electronic Components

Click to view similar products for [Basic / Snap Action Switches](#) category:

Click to view products by [Honeywell](#) manufacturer:

Other Similar products are found below :

[83228001](#) [01.098.1358.1](#) [602EN1-6B](#) [602EN532](#) [602EN535-RB](#) [602HE5-RB1](#) [604HE162](#) [604HE223-6B](#) [624HE17-RB](#) [6HM89](#) [6PA78-JM](#)
[6SE1](#) [6SX1-H58](#) [70500840](#) [MBD5B1](#) [MBH2731](#) [73-316-0012](#) [79211759](#) [79211923](#) [79218589](#) [7AS12](#) [ML-1155](#) [ML-1376](#) [831010C3.0](#)
[831060C3.TL](#) [831090C2.EL](#) [83131904](#) [84212012](#) [8AS239](#) [8HM73-3](#) [903VB1-PG](#) [914CE1-6G](#) [PL-100](#) [11SM1077-H4](#) [11SM1077-H58](#)
[11SM1-TN107](#) [11SM405](#) [11SM703-T](#) [11SM8423-H2](#) [11SX37-T](#) [11SX48-H58](#) [11SX55-H58](#) [11SM2442-T](#) [11SM76-T](#) [11SM77-H58](#)
[11SM77-T](#) [11SM863-T](#) [11SM866](#) [11SX47-H58](#) [A7CN-1M-1-LEFT](#)