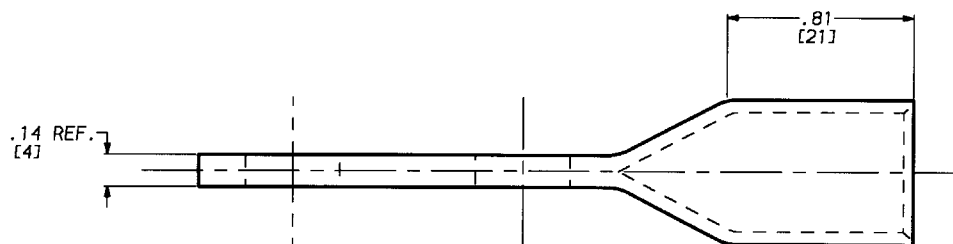
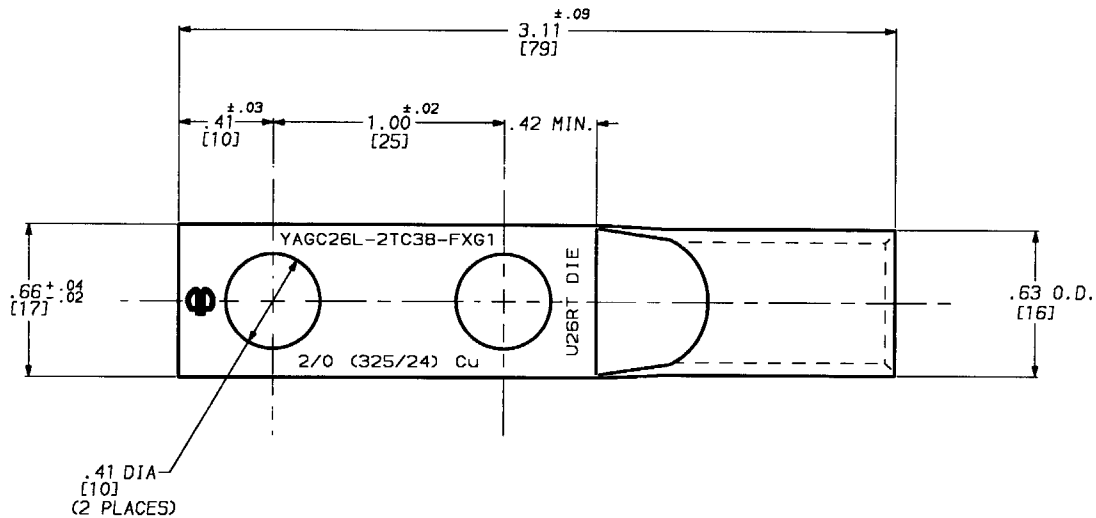


CONDUCTOR	INSTALLATION TOOLING (# CRIMPS)			WIRE STRIP LENGTH
	HYDRAULIC			
FLEX	Y750 Y35 BAT35, BAT750 Y39	4 Y46	3 Y45	
2/0 WELD 325/24	U26RT (1)	U26RT (1)	U26RT (1)	7/8"

REV.	DATE	DESCRIPTION	BY	C'K'D.
0	6/9/99	DRAWING RELEASED (PER ECO 4988)	PL	KH



NOTES:

1. MATERIAL; COPPER TUBING.
2. FINISH; ELECTRO-TIN PLATED.
3. CATALOG # PT6515 ADAPTOR IS REQUIRED TO USE "U" DIES IN Y45 SERIES TOOLS.
4. CATALOG # PUADP-1 ADAPTOR IS REQUIRED TO USE "U" DIES IN Y46 SERIES TOOLS.
5. DIMENSIONS IN BRACKETS [ ] ARE IN MILLIMETERS ROUNDED OFF TO THE NEAREST MILLIMETER, UNLESS OTHERWISE NOTED, AND ARE FOR REFERENCE ONLY.

HYLUG™		SCALE
CAT NO: YAGC26L2TC38FXG1		NTS
DRAWN: B. MICHAUD	5/25/99	CHECKED: K HENRY 5/25/99
DSGN APPVL: B. MACDONALD	5/25/99	MFG APPVL: N/A
Q.A. APPVL: J BRODEUR	6/11/99	MKTS APPVL: R. ROBICHEAU 5/25/99
CAD FILE: SE212201-01_0		PH REF: N/A
MOL REF: N/A		
PROJECT: 0T99174		
DRAWING NO.		REV
SE212201		0
SHEET 1 OF 1		



## X-ON Electronics

Largest Supplier of Electrical and Electronic Components

*Click to view similar products for [Terminals](#) category:*

*Click to view products by [FCT Electronics](#) manufacturer:*

Other Similar products are found below :

[HT-13-10](#) [71M-250-32-NB](#) [01-2065-1-0216](#) [00581P0075](#) [M10-10RX](#) [M10BCK](#) [60205-1](#) [604200-1](#) [60598-1-CUT-TAPE](#) [60617-1-C](#) [60873-1](#) [M14-516R/SK](#) [M14-6RSX](#) [M18-10FLX](#) [M18-8FBX](#) [M18-8R/LX](#) [M18BCK](#) [61314-6-C](#) [61-S](#) [61-SN-A](#) [62-NBM-A](#) [63-S](#) [640179-1](#) [640917-2-CUT-TAPE](#) [6501550002](#) [66107-2-C](#) [66107-4-C](#) [696683-1](#) [696834-1](#) [696861-1](#) [696931-1](#) [696999-1](#) [M8-516RK](#) [M86700006](#) [MA250DMFMX-A](#) [701-2007](#) [701-2307](#) [701-7761-03](#) [70F-110-32-PB](#) [718-N-A](#) [71M-187-20-NBL](#) [71M-250-32-NBL](#) [72F-187-20-NBL](#) [72M-250-32-NBL](#) [7310](#) [73F-250-32](#) [73F-250-32-NBL](#) [73F-250-32-NL](#) [F14-10C](#) [F-1M](#)