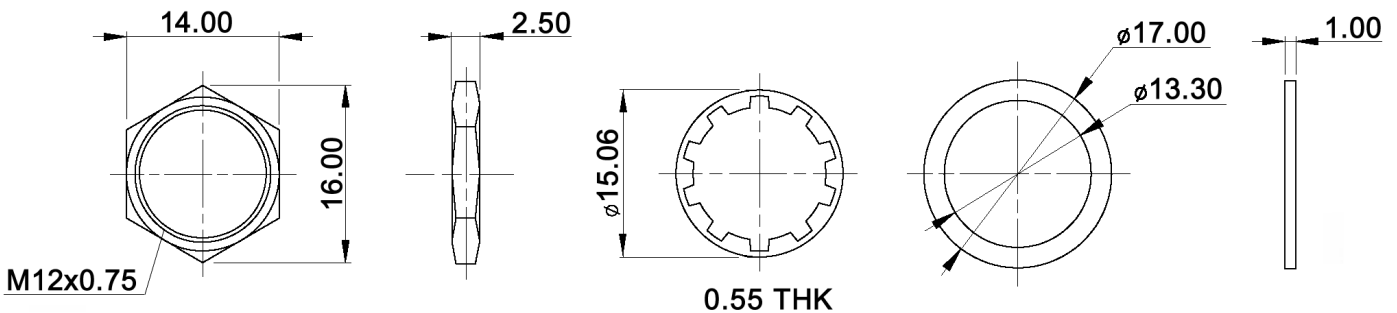


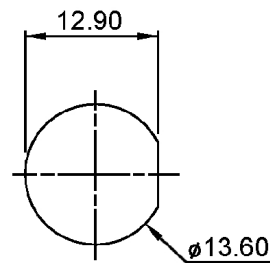
**HARDWARE:**



**SWITCH FUNCTION**

Model No.	POS. 1	POS. 2
DPW 1 CG	OFF	MOM
Term. Comm.	OPEN	SHORT

**PANEL CUT-OUT**



Tolerances: 0.00: ±0.25mm 0.0: ±0.40mm		Date	Name
IP rating	07/11	dr	
Revised	11/10	dr	
Hardware	06/10	dr	
Actuator color black	06/08	dr	
Operating temperature	04/08	dr	
Water proofing	03/08	dr	
Modifications	Date	Name	

**DPW 1 CG x**

**30 12 18**

**knitter-switch**

Page

1/2

Specifications:

Contact rating: max.: 400mA, 32V AC; 100mA, 50V DC; 125mA, 125V AC  
 Contact resistance: 50mOhm max.  
 Insulation resistance: 1GOhm min. at 500V DC  
 Dielectric strength: 1 000V AC  
 Operating temperature: -30°C to +85°C  
 Mechanical life: 1 000 000 cycles  
 Electrical life: 500 000 cycles  
 Operating force: 3N +/-1N  
 Soldering conditions: 350°C max., 3sec.  
 Travel: 1.5mm  
 Panel thickness: 1.5mm min.; 4.0mm max.  
 Torque: 0.5Nm max. applied to nut  
 Water proofing: IP 67  
 Material: Case: DAP UL94V-0  
 Bushing / cap: polyamide 6/6  
 Terminal / contact: gold over silver plated  
 IP rating: IP 67 (mounted)

X=CAP COLOR	
W	white
K	black
R	red
O	orange
Y	yellow
G	green
B	blue



Tolerances: 0.00: ±0.25mm 0.0: ±0.40mm			Date	Name	<b>DPW 1 CG x</b>
			08/07	dr	
			<b>knitter-switch</b>		<b>30 12 18</b>
Modifications			Date	Name	Page 2/2

## X-ON Electronics

Largest Supplier of Electrical and Electronic Components

*Click to view similar products for [Pushbutton Switches](#) category:*

*Click to view products by [Knitter-Switch](#) manufacturer:*

Other Similar products are found below :

[LW1L-M1C10V-A](#) [LW2L-A1C20M-GD](#) [LW2L-M1C20M-A](#) [60324L](#) [M7E-HRN2](#) [67021K512](#) [67081K512X](#) [701PB580](#) [719-5504-000](#)  
[MDPSSGLFS](#) [810KSV30B](#) [FLT 2U EE 01A](#) [MML21KA3ABK](#) [MML23KA3AC05K-001](#) [MML23KW3AA01W](#) [8418K2](#) [8646AB6X718UL](#)  
[8646ABUL](#) [FSDWH](#) [9001KXRK](#) [9001T8BK](#) [9533CD4+U574+U4922](#) [1203MRA](#) [A22EM01S](#) [A595](#) [1202A6](#) [12037A2ULCSA](#) [1203A2UL](#)  
[ABD122N-B](#) [1211390004](#) [ABN111-Y](#) [ABN400-R](#) [1211500044](#) [1211580012](#) [1212MRA](#) [1232A6NF](#) [RA3CSH6A](#) [1241.1183.7047](#)  
[1241.2511](#) [1241.3428](#) [1223A2ULCSA](#) [1223MRA](#) [1232AX2119](#) [1241.1183.8000](#) [1241.1183.8029](#) [1241.2506](#) [1241.2606](#) [12MA6](#)  
[1301940184](#) [RELBARF6X10\(PLASTIC\)](#)