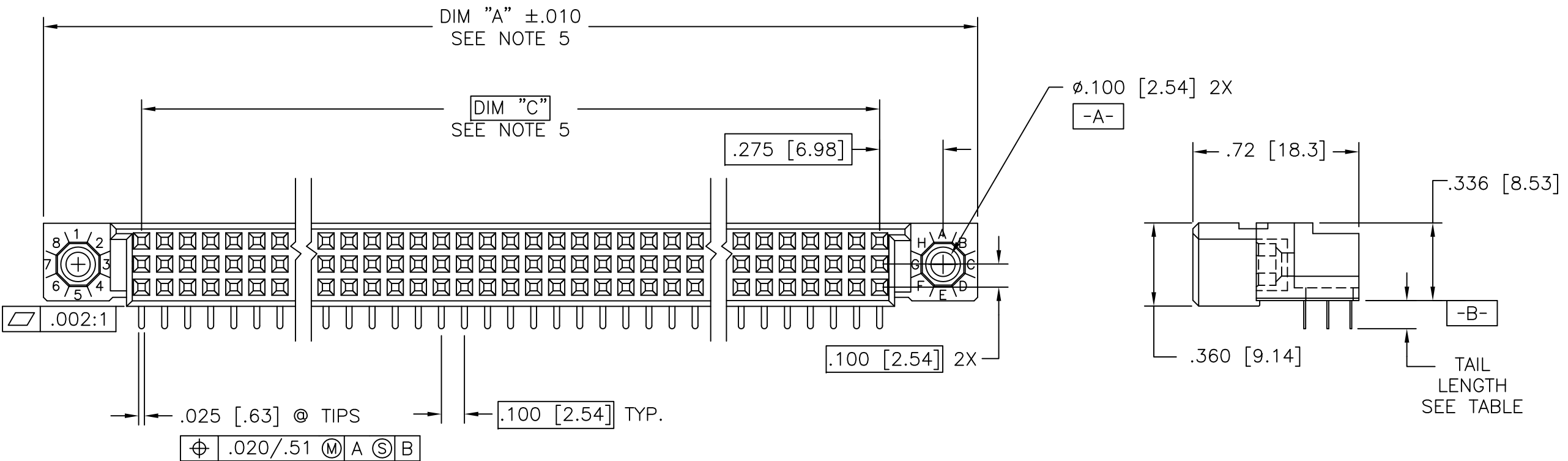
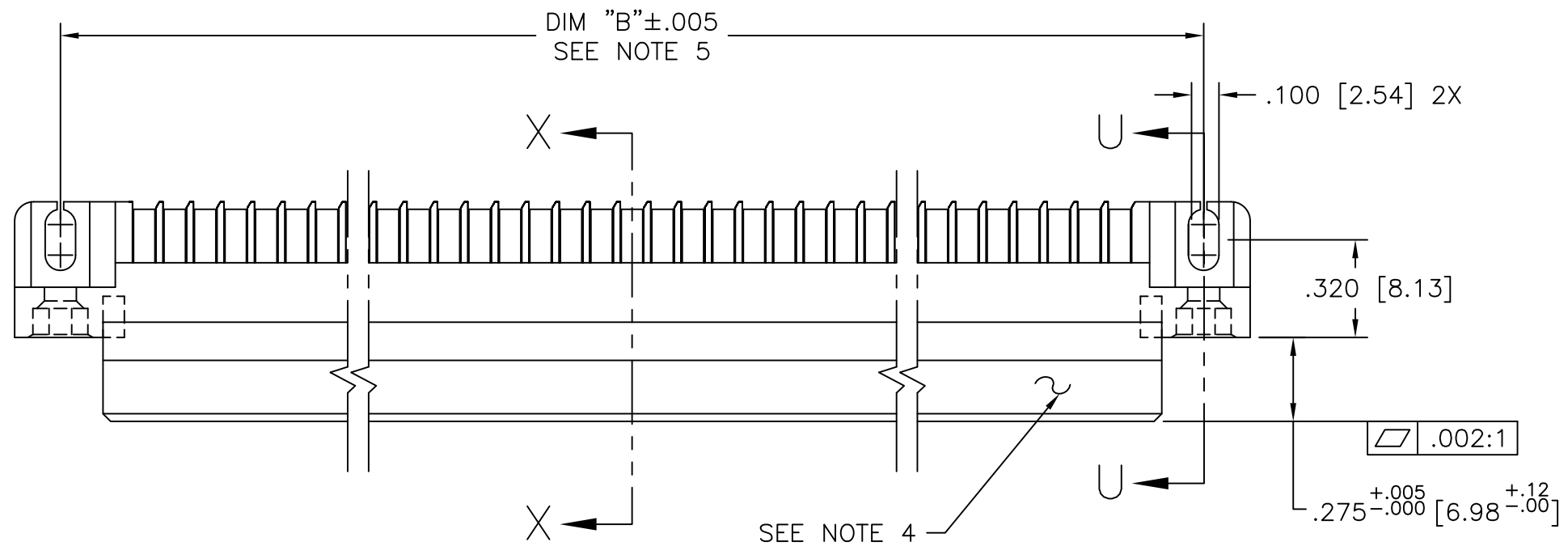
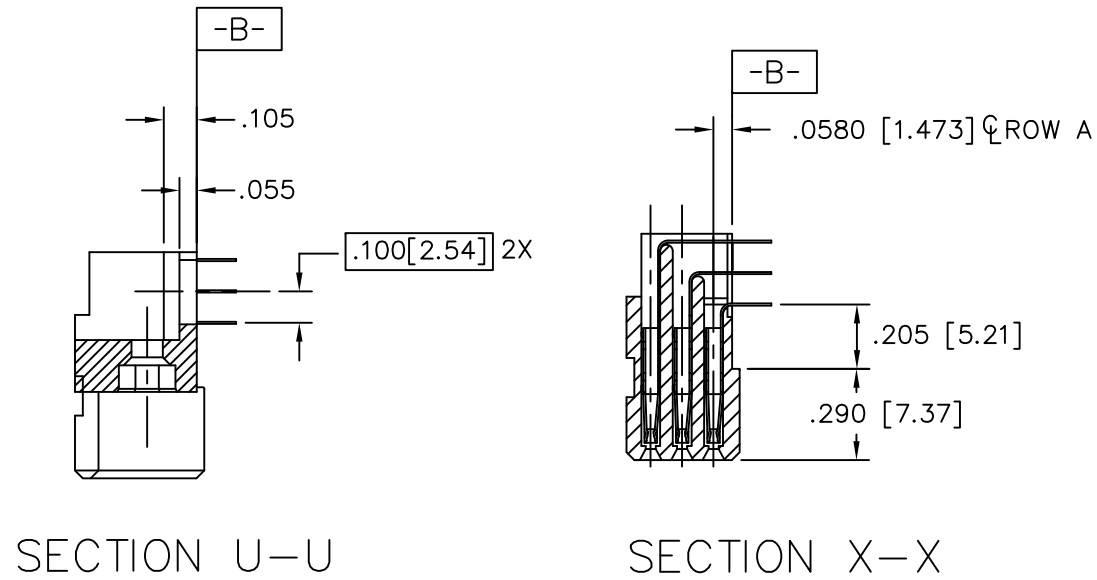


PRODUCT NUMBER
SEE NOTE 1



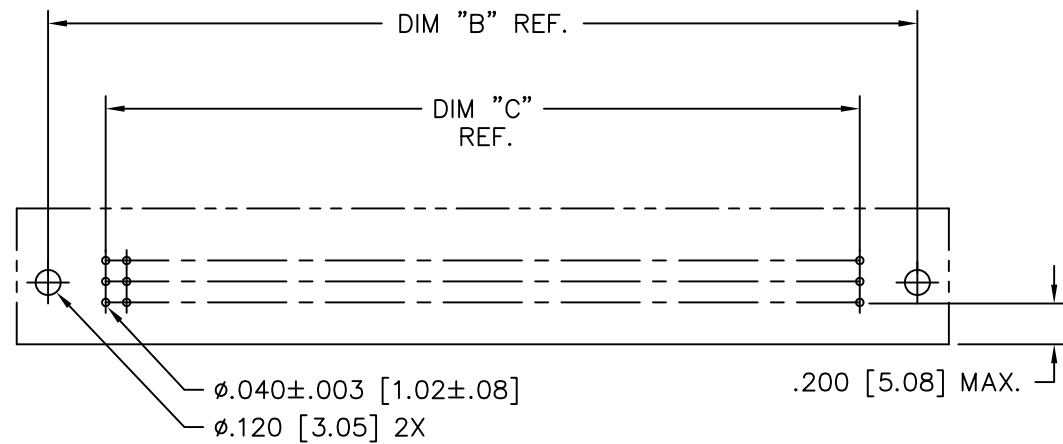
mat'l. code NOTE 3		surface ISO 1302 ✓		tolerance ISO 406 ISO 1101		projection INCH/MM		product family HPC	
ltr	ecn no	dr	date	tolerances unless otherwise specified		scale 1:1		title 3 ROW R/A RECEPTACLE SOLDER TAIL, 0 GUIDE PIN	
U	ELX-I-25169	MJA	10/19/16	angles	linear			dwg no 50000	
V	ELX-I-26924	MJA	05/06/17	σ±2				sheet 1 of 4 size A3	
P	M06-0255	AEA	7/06/06	dr	D. SHEAFFER	1/04/90		type Product Customer Drawing	
R	M07-0331	AGS	7/18/07	enr	S. CLARK	1/04/90			
S	M07-0183	MHT	7/02/08	chr	M JACOB	05/06/17			
T	M08-0280	AGS	30/09/08	appd	BIJU K PAUL	05/06/17			
sheet	revision	V	U	U	T				
index	sheet	1	2	3	4				

PRODUCT NUMBER
SEE TABLE



SECTION U-U

SECTION X-X



RECOMMENDED PCB LAYOUT
(ALL HOLES LOCATED ON .100 [2.54] GRID
UNLESS OTHERWISE SPECIFIED)

NOTES:

① PRODUCT NUMBERING CODE:
50000 - X YYY Z LF
LEAD FREE (OPTIONAL)
TAIL LENGTH (SEE TABLE)
NO. OF POSITIONS (SEE NOTE 2)
PLATING (SEE TABLE)
BASE NUMBER

PRODUCT NUMBERING CODE FOR
SELECT LOAD PART NUMBERS:
50000 - XXYYY LF
LEAD FREE (OPTIONAL)
SEQUENCE NUMBER
ALWAYS 'XX'
BASE NUMBER

- ② THIS PRODUCT IS CONFIGURED IN SIZES OF 6 THRU 80 COLUMNS IN INCREMENTS OF ONE. i.e.: 6,7,8,9.....79,80.
- ③ HOUSING MATERIAL: GLASS AND MINERAL FILLED THERMOPLASTIC. FLAME RETARDANT PER UL94V-O. COLOR:BLACK CONTACT MATERIAL: BeCu
- ④ COMPANY NAME, PART NUMBER AND LOT CODE TO APPEAR ON THIS SURFACE PER BUS-12-108.
- ⑤ LENGTH FORMULAS:
DIM A = .100/2.54 X NO. OF COLUMNS + .75/19.1
DIM B = .100/2.54 X NO. OF COLUMNS + .450/11.43
DIM C = .100/2.54 X NO. OF COLUMNS - .100/2.54
- ⑥ PRODUCT WITH "LF" SUFFIX MEETS EUROPEAN UNION DIRECTIVES AND OTHER COUNTRY REGULATIONS AS DESCRIBED IN GS-22-008.
7. THIS HOUSING WILL WITHSTAND EXPOSURE TO 260° C PEAK TEMPERATURE FOR 10-30 SECONDS IN A CONVECTION, INFRA-RED OR VAPOR PHASE REFLOW OVEN.
- ⑧ PLATING OPTIONS:
MAY BE EITHER GOLD OR GXT PLATED AT MANUFACTURE'S OPTION

mat'l. code NOTE 3		surface ISO 1302 ✓	tolerance ISO 406 ISO 1101	projection INCH/MM	product family HPC
ltr	ecn no	dr	date	tolerances unless otherwise specified	title 3 ROW R/A RECEPTACLE SOLDER TAIL, 0 GUIDE PIN
U				angles linear .XX ±.01/.X±0.3 .XXX ±.005/.XX±0.13 .XXXX ±.0020/.XXX±0.051	
		dr	D. SHEAFFER	1/04/90	Amphenol FCi dwg no 50000 sheet 2 of 4 size A3 type Product Customer Drawing
		enr	S. CLARK	1/04/90	
		chr	M JACOB	05/06/17	
		appd	BIJU K PAUL	05/06/17	
sheet index	revision sheet				

PRODUCT NUMBER NOTE 1	NUMBER OF POSITIONS NOTE 2	TAIL LENGTH	SOLDER TAIL PLATING	CONTACT PLATING (NOTE 8)
50000-1YYYYE	YYY	.125±.010/3.18±0.25	TIN-LEAD	30u"/0.76um Au
50000-1YYYYELF	YYY	.125±.010/3.18±0.25	TIN	30u"/0.76um Au
50000-1YYYYF	YYY	.145±.010/3.68±0.25	TIN-LEAD	30u"/0.76um Au
50000-1YYYYH	YYY	.180±.010/4.57±0.25	TIN-LEAD	30u"/0.76um Au
50000-1YYYYHLF	YYY	.180±.010/4.57±0.25	TIN	30u"/0.76um Au
50000-1YYYYZ	YYY	.220±.010/5.59±0.25	TIN-LEAD	30u"/0.76um Au
50000-3YYYYE	YYY	.125±.010/3.18±0.25	TIN-LEAD	50u"/1.27um Au
50000-3YYYYF	YYY	.145±.010/3.68±0.25	TIN-LEAD	50u"/1.27um Au
50000-3YYYYH	YYY	.180±.010/4.57±0.25	TIN-LEAD	50u"/1.27um Au
50000-3YYYYZ	YYY	.220±.010/5.59±0.25	TIN-LEAD	50u"/1.25um Au
50000-5YYYYE	YYY	.125±.010/3.18±0.25	TIN-LEAD	30u"/0.76um GXT
50000-5YYYYELF	YYY	.125±.010/3.18±0.25	TIN	30u"/0.76um GXT
50000-5YYYYF	YYY	.145±.010/3.68±0.25	TIN-LEAD	30u"/0.76um GXT
50000-5YYYYFLF	YYY	.145±.010/3.68±0.25	TIN	30u"/0.76um GXT
50000-5YYYYH	YYY	.180±.010/4.57±0.25	TIN-LEAD	30u"/0.76um GXT
50000-5YYYYHLF	YYY	.180±.010/4.57±0.25	TIN	30u"/0.76um GXT
50000-5YYYYZ	YYY	.220±.010/5.59±0.25	TIN-LEAD	30u"/0.76um GXT
50000-5YYYYZLF	YYY	.220±.010/5.59±0.25	TIN	30u"/0.76um GXT

Amphenol
FCi

Copyright AFci

mat'l. code NOTE 3		surface ISO 1302 ✓	tolerance ISO 406 ISO 1101	projection 	product family HPC
ltr	ecn no	dr	date	tolerances unless otherwise specified	title 3 ROW R/A RECEPTACLE SOLDER TAIL, 0 GUIDE PIN
U				linear .XX ±.01/XX±0.3 .XXX ±.005/XX±0.13 .XXXX ±.0020/XXX±0.051	
				angles σ±2°	
				dr D. SHEAFFER 1/04/90	scale 1:1
				enr S. CLARK 1/04/90	Amphenol FCi
				chr M JACOB 10/19/16	
				appd BIJU K PAUL 10/19/16	dwg no 50000
sheet index	revision sheet				sheet 3 of 4 size A3
					type Product Customer Drawing

PRODUCT NUMBER
SEE TABLE

50000-XX001 OR 50000-XX001LF ONLY

	55			50				45				40				36	
<u>C</u>	C		C		C		C		C		C		C		C		
<u>B</u>		B		B		B		B		B		B		B		B	
<u>A</u>	A		A		A		A		A		A		A		A		

	35			30				25				20				15				10			5			1		
<u>C</u>	C	C	C	C	C	C	C	C	C	C	C	C	C	C	C	C	C	C	C	C	C	C	C	C	C	C	C	
<u>B</u>																												<u>B</u>
<u>A</u>	A	A	A	A	A	A	A	A	A	A	A	A	A	A	A	A	A	A	A	A	A	A	A	A	A	A	A	<u>A</u>

NOTES FOR 50000-XX001 OR 50000-XX001LF ONLY:

1. ALL POSITIONS ARE LOADED AS SHOWN.
2. COLUMN 1, ROW A IS DESIGNATED AS SIGNAL TERM. 1, AS VIEWED FROM THE MATING FACE.
3. SIGNAL DATA FOR 50000-XX001 OR 50000-XX001LF
 SIZE 3 X 55
 TOTAL NUMBER OF POSITIONS: 165
 TOTAL NUMBER OF POSITIONS LOADED: 107

ITEM KEY	QTY.	TAIL LENGTH
A	45	.180±.010/4.57±.25
B	17	.180±.010/4.57±.25
C	45	.180±.010/4.57±.25

mat'l. code NOTE 3		surface ISO 1302 ✓	tolerance ISO 406 ISO 1101	projection 	product family HPC
ltr	ecn no	dr	date	tolerances unless otherwise specified	title 3 ROW R/A RECEPTACLE SOLDER TAIL, 0 GUIDE PIN
T				linear .XX ±.01/XX±.03 .XXX ±.005/XX±.13 .XXX ±.0020/XXX±.051	
		angles	σ±2'	INCH/MM scale 1:1	Amphenol FCi dwg no 50000 sheet 4 of 4 size A3 type Product Customer Drawing
		dr	D. SHEAFFER	1/04/90	
		enr	S. CLARK	1/04/90	
		chr	S. CLARK	1/04/90	
		appd	S. CLARK	1/04/90	
sheet index	revision sheet				

X-ON Electronics

Largest Supplier of Electrical and Electronic Components

Click to view similar products for [Hard Metric Connectors](#) category:

Click to view products by [FCT Electronics](#) manufacturer:

Other Similar products are found below :

[10146110-VR5C](#) [6345127-1](#) [646916-9](#) [6469658-1](#) [853016](#) [973108](#) [1-2000713-0](#) [1-2000713-2](#) [1-2000713-3](#) [120646-1](#) [134187](#) [1645343-1](#)
[1645456-1](#) [1645564-3](#) [1645594-1](#) [1645601-1](#) [1934822-1](#) [2000829-2](#) [2000985-2](#) [223085-1](#) [278071110010833](#) [1645179-1](#) [1645245-1](#)
[1645457-1](#) [1645525-1](#) [1645570-1](#) [1645596-1](#) [17-8072-125-000-863+](#) [1857470-1](#) [1934275-1](#) [1934289-1](#) [1934759-1](#) [2000670-2](#) [2000673-1](#)
[2000843-2](#) [2000984-2](#) [204975](#) [2170292-2](#) [2-536642-6](#) [3-100668-0](#) [3-106015-1](#) [352188-1](#) [352629-1](#) [3-646346-0](#) [3-646356-0](#) [3-646457-0](#) [3-646529-0](#) [3-646530-0](#) [5120823-1](#) [5120899-1](#)