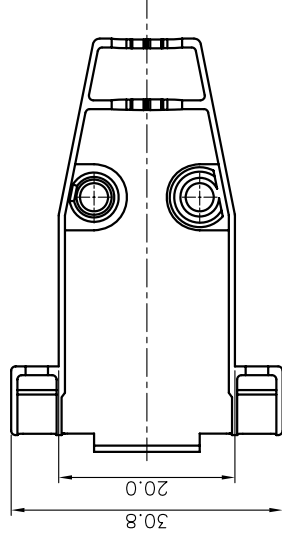
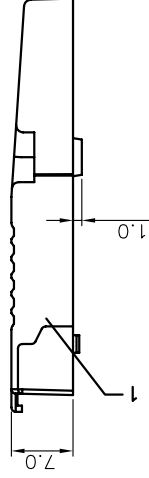
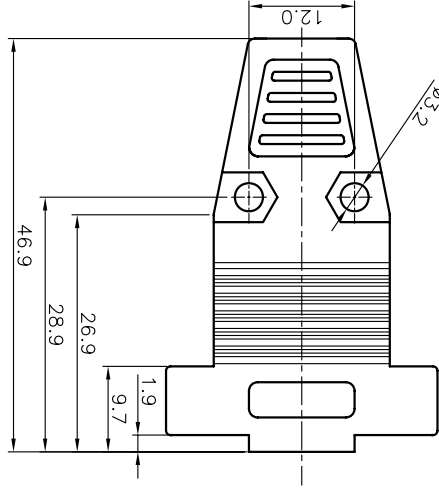
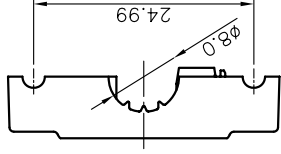
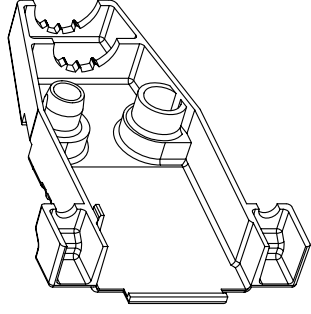




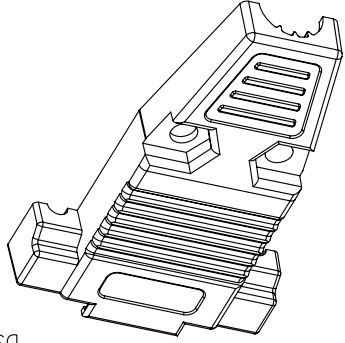
DRAWING NO. C-DS1047-09XXX-B	
SCALE 1:1	SHEET 1 OF 1
DRAWING TYPE CUSTOMER	
X. ±0.60	.XX ±0.25
X. ±0.38	.X ±0.3
X. ±0.5	.XX ±0.2
GENERAL TOLERANCE ANGLE TOLERANCE	

PROJECTION	TITLE	D-SUB 9pin Metal Cover
UNITS mm	SHEET SIZE A4	SERIES DS1047 SERIES



BOM LIST

ITEM	PART NAME	Q'ty	NOTES
1	METAL HOOD	2	
2	LONG BOLT	2	
3	SCREW	2	
4	SMALL WASHER	2	
5	NUT	2	
6	SHORT BOLT	2	

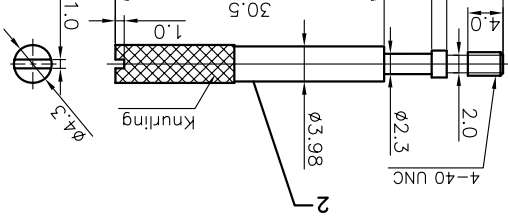
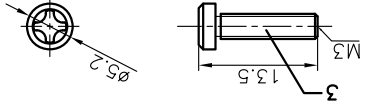


NOTES:

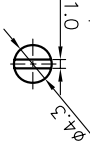
1. PART NUMBER CODE: DS1047 - 09 X X X

- ~ Bolt type
- ~ L: Long
- ~ S: Short
- ~ Packing type
- ~ 1: Mix packing
- ~ 2: Separation packing
- ~ Cover Material
- ~ M: Metal(Znic alloy)
- ~ Positions
- ~ 09: 9pin

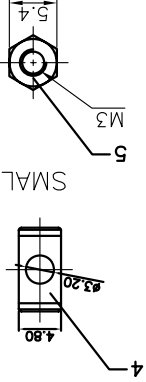
SCREW



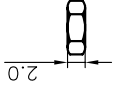
Long BOLT



NUT



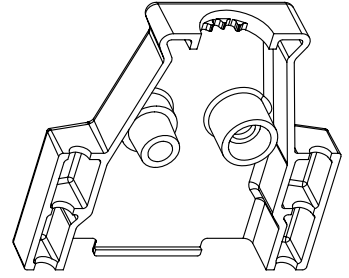
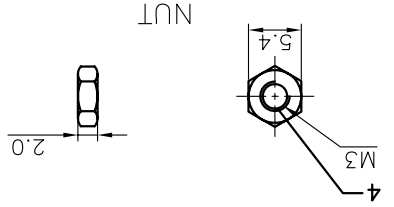
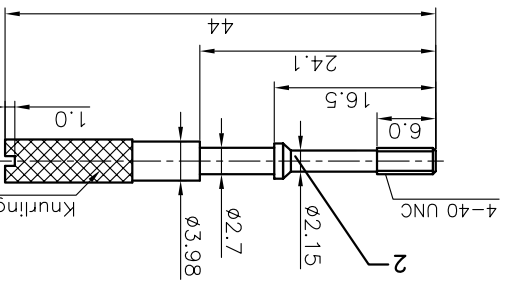
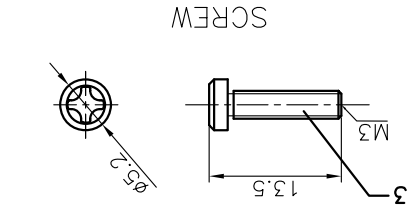
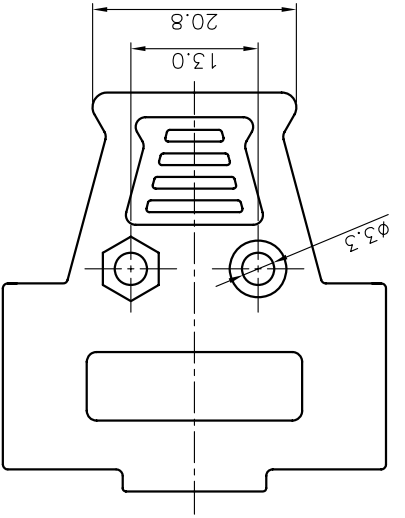
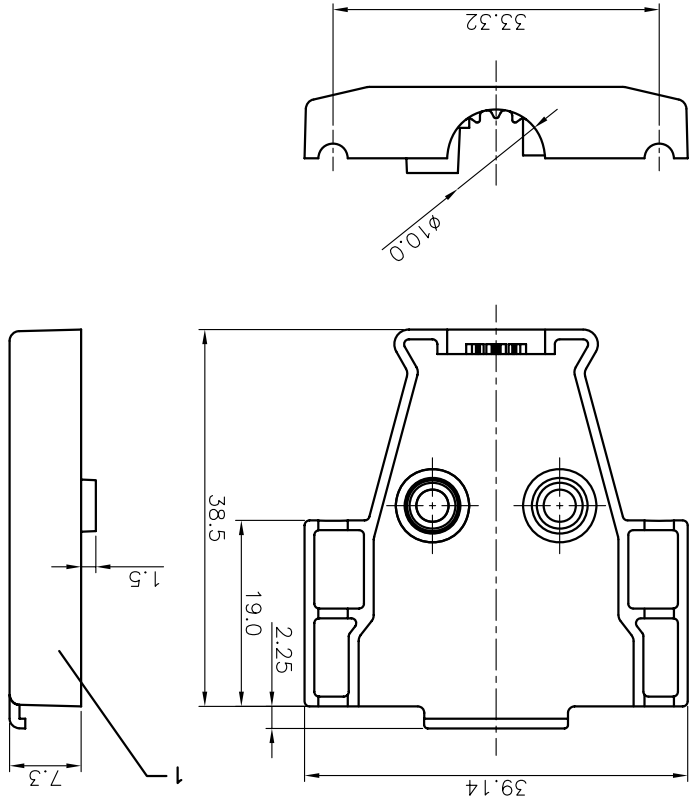
SMALL WASHER



Short BOLT

REV.	DESCRIPTION	DRAWN	CHECKED	APPROVED
B	整理英制短螺丝尺寸	YCH 07/18/08'	~	
A	NEW RELEASE	LJH 03/02/07'	~	LJC 03/02/07'

BOM LIST			
ITEM	PART NAME	Q'ty	NOTES
1	METAL HOOD	2	
2	BOLT	2	
3	SCREW	2	
4	NUT	2	



- NOTES:
1. PART NUMBER CODE: DS1047 - 15 X X X
 - 2: Separation packing
 - 1: Mix packing
 - 15: 15pin
 - 1: Long
 - 2: Packing type
 - 1: Mix packing
 - 2: Separation packing
 - M: Metal(Zinc alloy)
 - 15: 15pin

REV.	DESCRIPTION	DRAWN	CHECKED	APPROVED
A	NEW RELEASE	LJC 03/02/07		

GENERAL TOLERANCE	X. ±0.60	X. ±0.38	.XX ±0.25
ANGLE TOLERANCE	X. ±5°	X. ±3°	.XX ±2°
PROJECTION		TITLE	D-SUB 15pin Metal Cover
UNITS	mm	SHEET SIZE	A4
SERIES	DS1047 SERIES		

晨翔电子有限公司

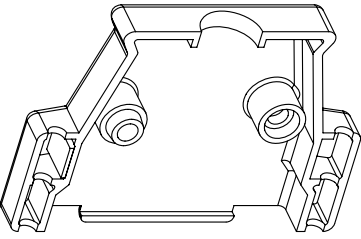
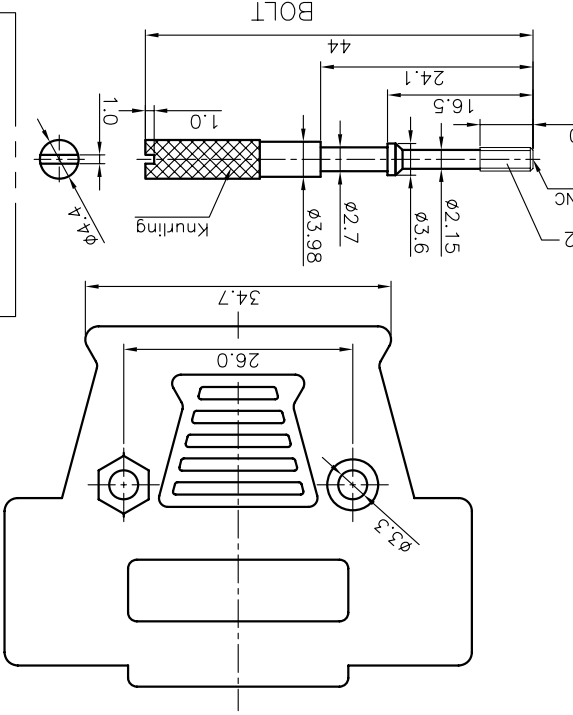
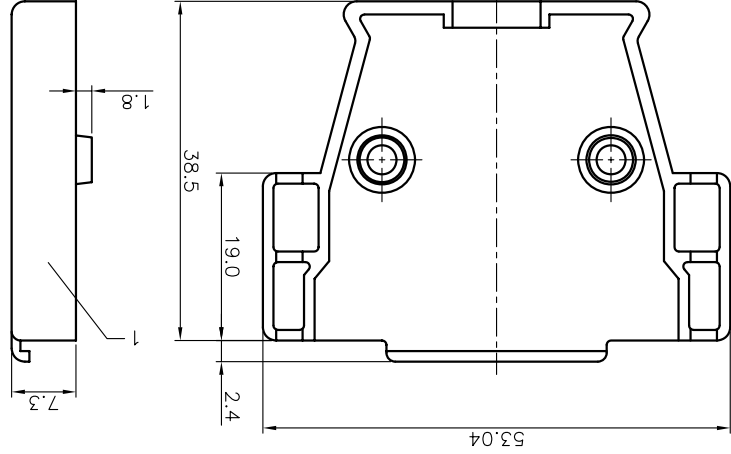
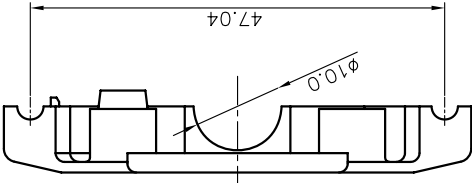
CONNFLY CONNLY ELECTRONIC CO., LTD

8 7 6 5 4 3 2 1

H G F E D C B A

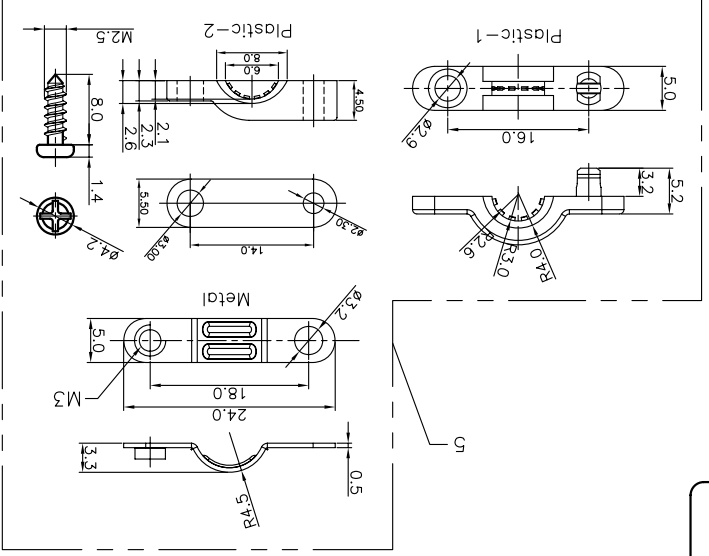
H G F E D C B A

BOM LIST			
ITEM	PART NAME	Q'ty	NOTES
1	METAL HOOD	2	
2	BOLT	2	
3	NUT	2	
4	SCREW-1	2	
5.1	METAL WASHER	2	
5.2	PLASTIC-1 WASHER	2	
5.3	PLASTIC-2 WASHER	2	
6	SCREW-2	2	
7	SR	1	



NOTES:
1. PART NUMBER CODE: DS1047 - 25 X X X X

- Wash type
- 1: Metal
- 2: Plastic-1 (Lock type)
- 3: Plastic-2 (Screw type)
- Long type
- L: Long
- Packing type
- 1: Mix packing
- 2: Separation packing
- Cover Material
- M: Metal (Zinc alloy)
- Positions
- 25: 25pin

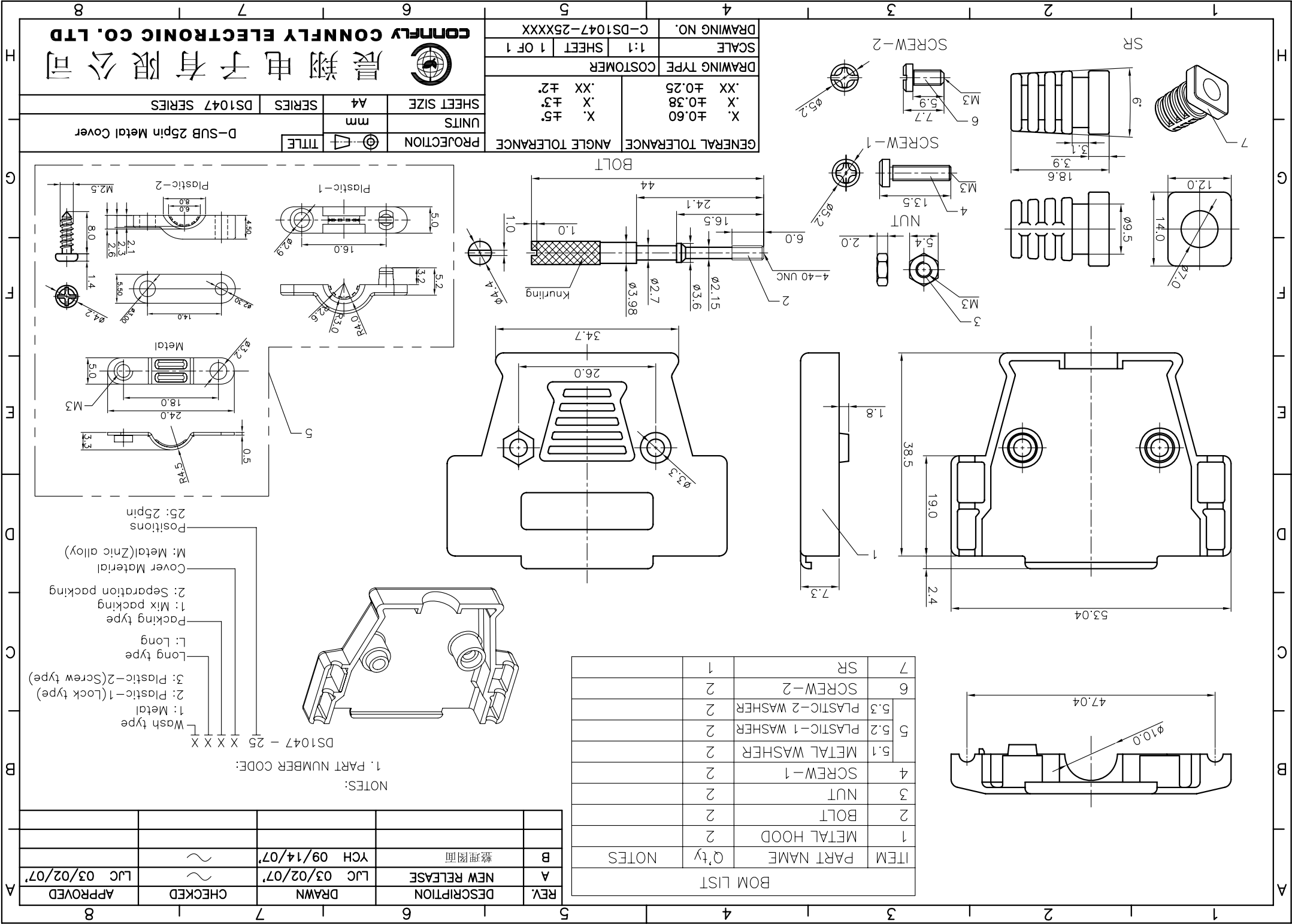
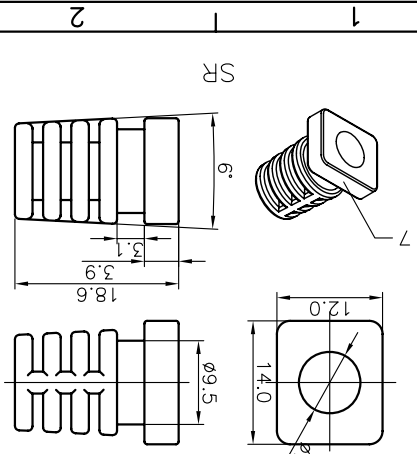
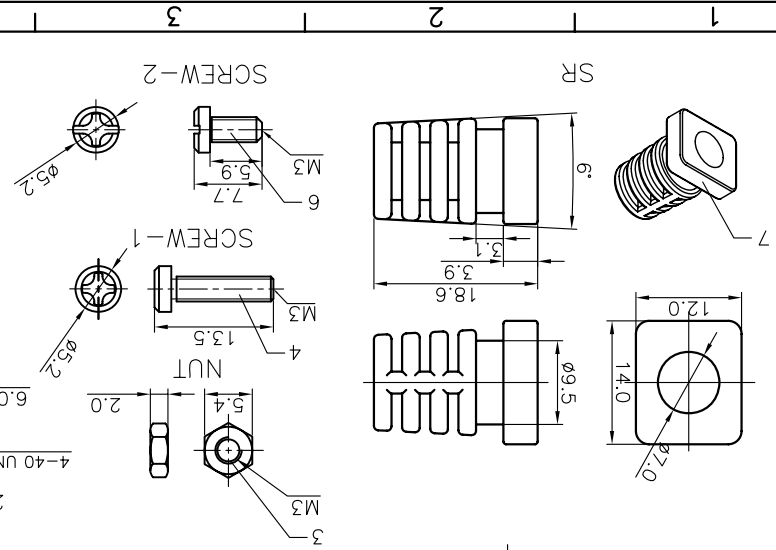


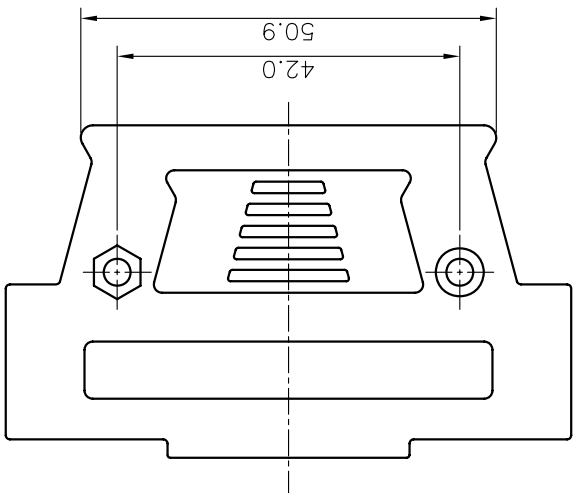
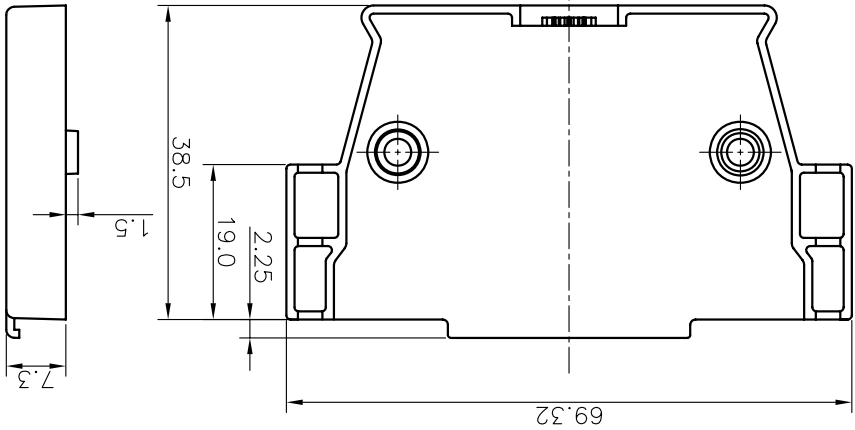
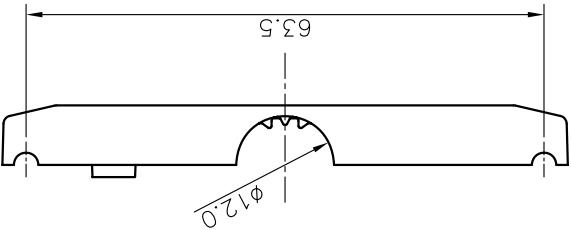
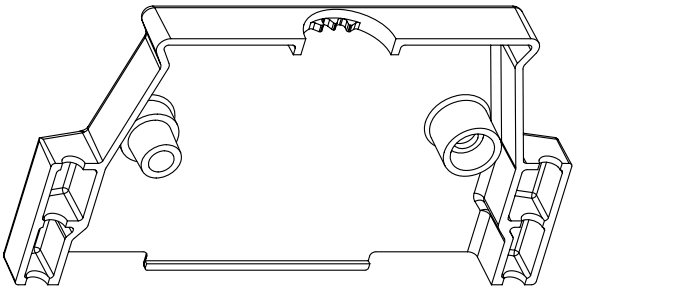
REV.	DESCRIPTION	DRAWN	CHECKED	APPROVED
B	整理図面	YCH 09/14/07'	~	
A	NEW RELEASE	LJC 03/02/07'	~	
		LJC 03/02/07'		

PROJECTION		TITLE	
UNITS		mm	
SHEET SIZE		A4	
SERIES		DS1047 SERIES	
D-SUB 25pin Metal Cover			

GENERAL TOLERANCE		ANGLE TOLERANCE	
X. ±0.60	X. ±0.38	X. ±0.25	X. ±0.25
.XX ±0.25	.X ±0.3	.XX ±0.2	.X ±0.3
DRAWING TYPE		CUSTOMER	
SCALE		1:1	
DRAWING NO.		C-DS1047-25XXXX	
SHEET		1 OF 1	

晨翔电子有限公司
CONNLY CONNLY ELECTRONIC CO., LTD





GENERAL TOLERANCE X. ± 0.60
X. ± 0.38
X. ± 0.25

ANGLE TOLERANCE X. $\pm 5'$
X. $\pm 3'$
XX. $\pm 2'$

DRAWING TYPE CUSTOMER
SCALE 1:1 SHEET 1 OF 1
DRAWING NO. C-DS1047-37XXX

晨翔电子有限公司
CONNFLY CONNLY ELECTRONIC CO., LTD

PROJECTION TITLE
UNITS mm
SHEET SIZE A4
SERIES DS1047 SERIES
D-SUB 37pin Metal Cover

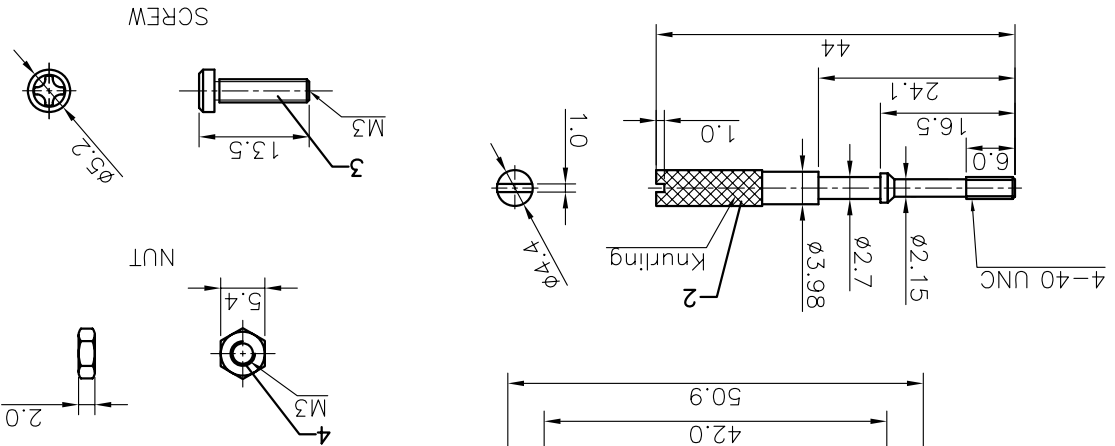
BOM LIST

ITEM	PART NAME	Q'ty	NOTES
1	METAL HOOD	2	
2	BOLT	2	
3	SCREW	2	
4	NUT	2	

NOTES:

1. PART NUMBER CODE: DS1047 - 37 X X X

- Bolt type
- L: Long
- Packing type
- 1: Mix packing
- 2: Separation packing
- Cover Material
- M: Metal(Znic alloy)
- Positions
- 37: 37pin



REV.	DESCRIPTION	DRAWN	LJC 03/02/07	CHECKED	APPROVED
A	NEW RELEASE				

X-ON Electronics

Largest Supplier of Electrical and Electronic Components

Click to view similar products for [D-Sub Standard Connectors](#) category:

Click to view products by [Connfly](#) manufacturer:

Other Similar products are found below :

[DCM37S732N](#) [DAM15P500](#) [DEV09S364GTLF](#) [DEM09P032N](#) [DDM50P732N](#) [DAM15S332N](#) [173109-2218](#) [173109-2466](#) [173109-2436](#)
[173109-2435](#) [56F706-005-LI](#) [56F711-015](#) [015-0341-000](#) [015-0372-008](#) [015-8544-011](#) [017041-0005](#) [020419-0104](#) [012-0515-000](#) [012-9507-](#)
[034](#) [012-9507-114](#) [012-9534-001](#) [020745-0008](#) [609-25P](#) [M24308/2-23Z](#) [M243082310F](#) [M243082410F](#) [M243082411F](#) [M24308/4-21](#)
[CT1A18-11PSA206](#) [CT1N36-5SC](#) [CT2-16S-17PS](#) [CT2-20-15PCAU](#) [CT2-24-12PS](#) [CT2-24-28PSF127A206](#) [CT2-32-9PC](#) [CT6F9767-14-4-](#)
[14S-5PC](#) [CT6FA10SL-4PS](#) [CT7-18-10SC](#) [CT7-18-10SCAU](#) [CT7-18-12SCAU](#) [CT7-18-1PC](#) [CT7-18-1PCAU](#) [CT7-18-21SCAU](#) [M83513/01-](#)
[FC](#) [M83723/76W24619 L/C](#) [M85049/48-3-2F](#) [69001-865](#) [6STD09PCM99B70X](#) [6STD09SCM99B30X](#) [6STD09SCT99S40X](#)