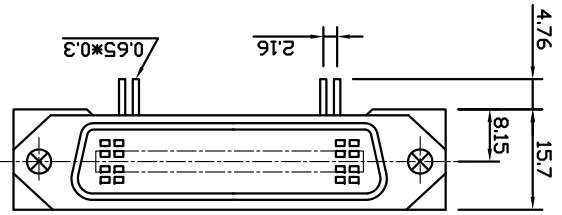
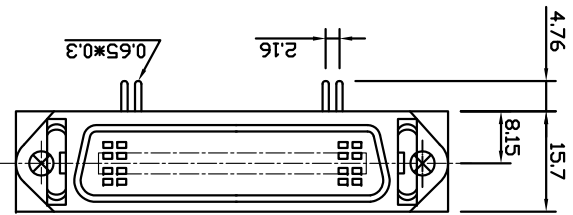
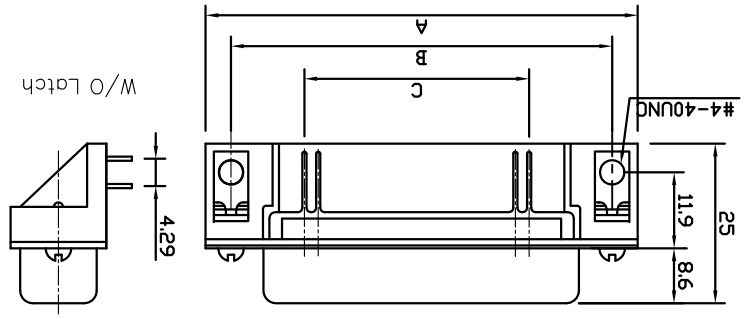
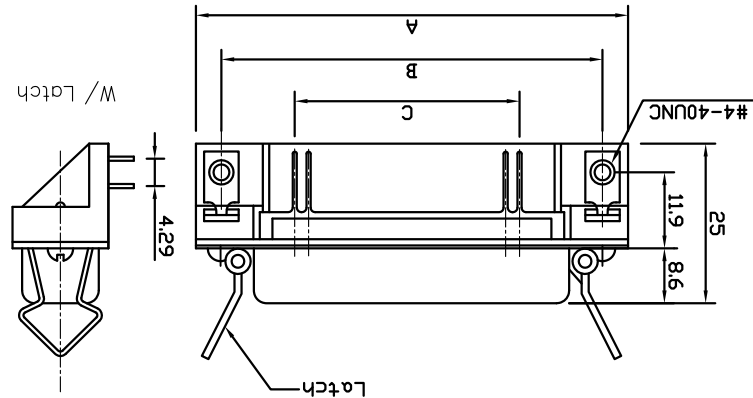


Shell Size	A	B	C
50pin	82.8	74.9	51.84
36pin	67.7	59.7	36.72



NOTES:

- MATERIALS**
 - Insulator: PBT+30% Glass Fiber(UL 94V-0)
 - Contact: Copper alloy
 - Shell: Steel
 - Latch: Stainless steel
- SPECIFICATION**
 - Current Rating: 3A
 - Dielectric withstanding voltage: 500V For 1 minute
 - Insulator Resistance: 1000MΩ min
 - Temperature Range: -40°C ~ +105°C
- FEATURES**
 - Low cost,high density PCB mounted connector
 - Will mate to other ribbon type connectors
 - One piece connector design reduce installation time up to 2/3 for lowest installed cost benefits
- PRODUCT NUMBER CODE:** DS1079 - X X X X X X X X X X

- Latch support X
- X: W/O Latch X
- S: W/ Latch X
- Color of housing X
- B:Blue X
- K:Black X
- CONTACT PLATED X
- 0: Selective gold flash X
- No. of contacts X
- 24: 24pin X
- 36: 36pin X
- 50: 50pin X
- Connector type F: Female

REV.	DESCRIPTION	DRAWN	CHECKED	APPROVED
A	NEW RELEASE	HP 17/06/05		

X-ON Electronics

Largest Supplier of Electrical and Electronic Components

Click to view similar products for [Standard Card Edge Connectors](#) category:

Click to view products by [Connfly](#) manufacturer:

Other Similar products are found below :

[6565204-6](#) [PKC-156](#) [1437274-4](#) [147889-1](#) [1489165-4](#) [EBT156-12B1X](#) [EBT15622B2X](#) [EBT156-22R2W](#) [1-582587-1](#) [1-582589-1](#) [2-6437275-9](#) [284-0102-12100](#) [306022901000000](#) [307-012-502-202](#) [307-024-526-201](#) [307-056-520-300](#) [307-080-526-208](#) [1926088-2](#) [245-062-520-350](#) [287-0032-12101](#) [306-010-500-112](#) [306-028-525-102](#) [306-240-318](#) [307-036-502-202](#) [307-036-521-301](#) [307-072-526-202](#) [345-060-559-303](#) [368-004-520-201](#) [392-008-559-201](#) [534671-1](#) [5-530501-5](#) [341-240-317](#) [345-029-520-300](#) [345-030-500-301](#) [345-044-500-300](#) [345-220-058](#) [346-240-318](#) [357-030-526-201](#) [387-012-523-300](#) [395-044-520-300](#) [395-100-524-300](#) [50-12B-10](#) [50-6SN-5](#) [09-07-2032](#) [10035388-106LF](#) [10035388-802LF](#) [10115859-011LF](#) [10122859-009LF](#) [101269333204245CLF](#) [10127905-B04B24BLF](#)