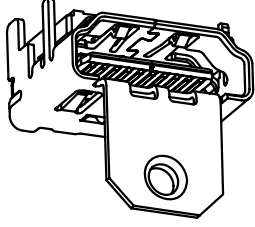
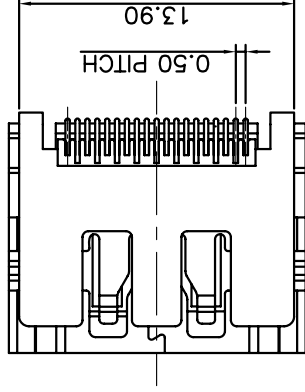
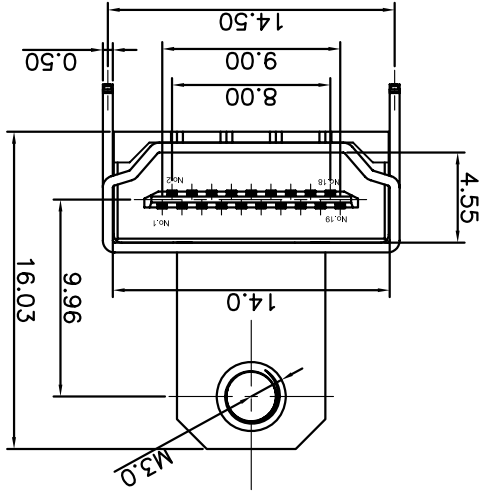
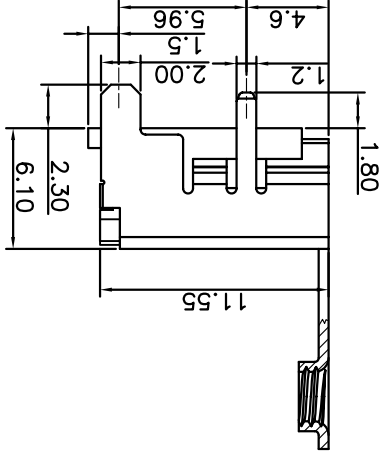
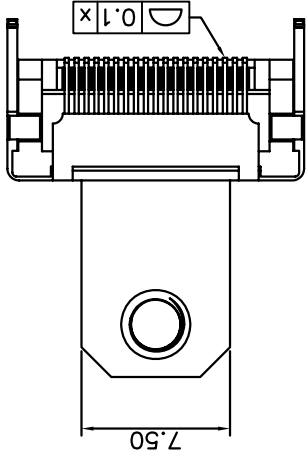
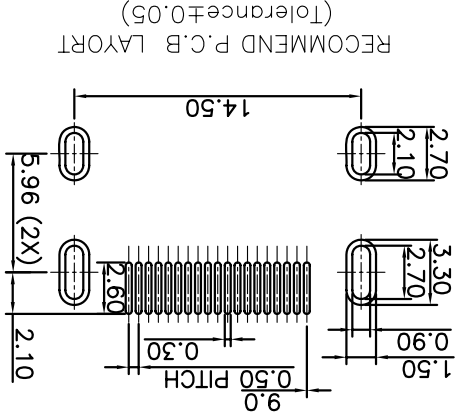


REV.	DESCRIPTION	DRAWN	CHECKED	APPROVED
A	NEW RELEASE	HP 18/07/05		

NOTES:

- 1. MATERIALS**
 - Insulator: thermoplastic, UL 94V-0 Rated
 - Contacts: Copper Alloy
 - Shell: Copper Alloy
- 2. SPECIFICATION**
 - Contact resistance: 50mΩ max.
 - Insulation resistance: 100MΩ min.
 - Dielectric withstanding voltage: 100 VAC 1 minute.
 - Temperature range: -40°C to +80°C.
- 3. PRODUCT NUMBER CODE:**
DS1115 - X X X

- Contact plating
- 0: selective gold flash
- C: selective 3u" gold
- 1: selective 10u" gold
- Shell plating
- 6: Tin
- N: Nickel
- Color of housing
- B: Black

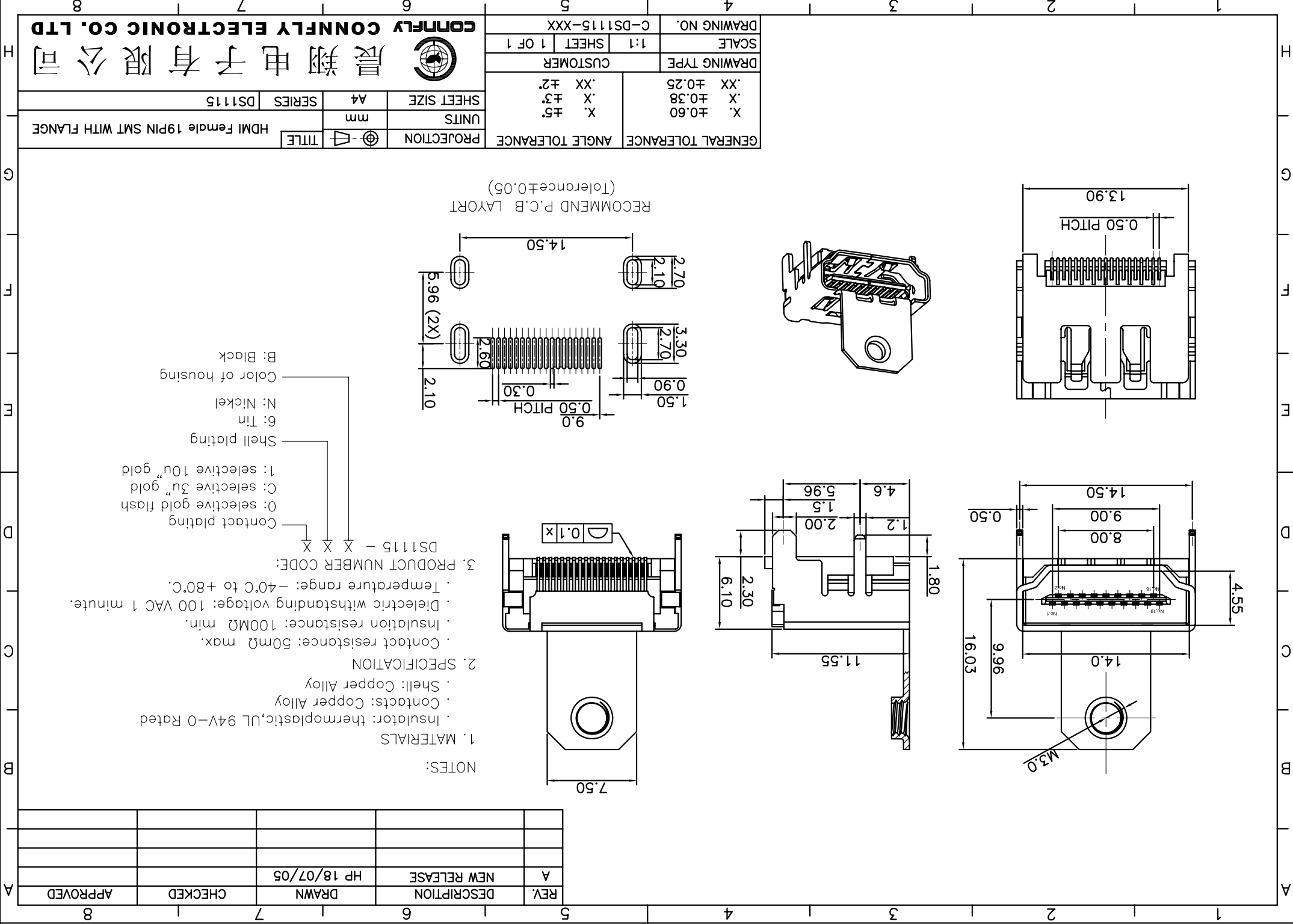


GENERAL TOLERANCE		ANGLE TOLERANCE	
X	±0.60	X	±5°
.X	±0.38	.X	±3°
.XX	±0.25	.XX	±2°

DRAWING TYPE	CUSTOMER
SCALE	1:1
SHEET	1 OF 1
DRAWING NO. C-DS1115-XXX	

TITLE	PROJECTION	UNITS	SHEET SIZE	SERIES	DS1115
HDMI Female 19PIN SMT WITH FLANGE			A4		

晨翔电子有限公司
CONNLY CONNLY ELECTRONIC CO. LTD



X-ON Electronics

Largest Supplier of Electrical and Electronic Components

Click to view similar products for [HDMI, Displayport & DVI Connectors](#) category:

Click to view products by [Connfly](#) manufacturer:

Other Similar products are found below :

[1775247-3](#) [2-1932649-5](#) [30-1231](#) [30-528](#) [2069485-1](#) [30-504](#) [30-519](#) [30-542](#) [47648-2000](#) [2002-400](#) [1453G1](#) [769-103/021-000](#) [1932649-1](#)
[233-368NFG6-17NH](#) [G45A19071083HR](#) [233-360NF00-17NH](#) [CP30200GM3B](#) [HYC02-DVI29-371](#) [P136-06NHDV4KBP](#) [CP30116](#)
[LTWDID-29PFFS-SL8001](#) [46765-1301](#) [1211-0010-201-001](#) [47271-1004](#) [32-1121-BU](#) [DS1117-BN0-TME-002](#) [MHDR2A11004BP](#)
[EHHDMI2PKG](#) [1903015-3](#) [DS1114-BN0](#) [WPUSBAF](#) [500254-1931](#) [UAD011FM](#) [HDMR-19-01-F-SM](#) [47151-1071](#) [1747981-1](#) [0480372000](#)
[0482580001](#) [D121073-19](#) [472710111](#) [HDMI-S-RA6-SMT-MF-15](#) [P142-000-UP](#) [P134-003](#) [P120-08N](#) [KDMIX-FS1V-WS-B](#) [P142-000-UD](#)
[P132-000](#) [P130-000](#) [P142-06N-MICRO](#) [P142-000-MINI](#)