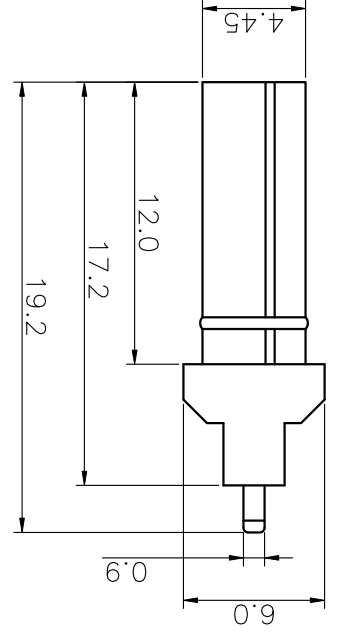
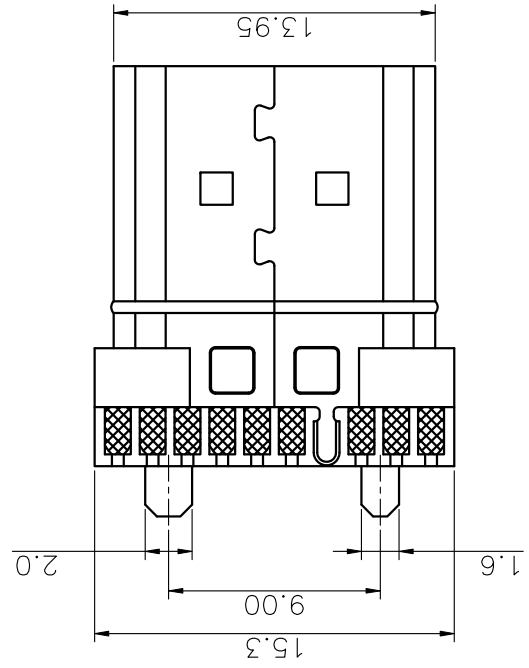
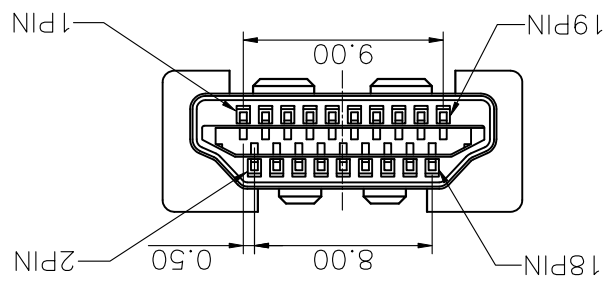



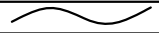
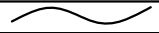
 <b>晨翔电子有限公司</b> <b>CONNLY ELECTRONIC CO., LTD.</b>		DRAWING NO. C-DS1117-XXX-X-C	
SHEET SIZE A4		1:1	SCALE 1 OF 1
SERIES DS1117		DRAWING TYPE CUSTOMER	
UNITS mm		X. ±0.60	XX ±0.25
PROJECTION 		X. ±0.5	X. ±0.38
TITLE		X. ±0.3	XX ±0.2
HDMI 19PIN MALE Solder type		ANGLE TOLERANCE	

GENERAL TOLERANCE		DRAWING NO. C-DS1117-XXX-X-C	
ANGLE TOLERANCE		1:1	SCALE 1 OF 1
X. ±0.60		DRAWING TYPE CUSTOMER	
XX ±0.25		X. ±0.3	X. ±0.38
X. ±0.5		X. ±0.3	XX ±0.2



3. PRODUCT NUMBER CODE:  
 DS1117 - X X X X  
 Contact plating  
 0: selective gold flash  
 Shell plating  
 8: Full Gold Flash  
 N: Nickel  
 Color of housing  
 B: Black

- NOTES:
- MATERIALS
    - Insulator: thermoplastic, UL 94V-0 Rated
    - Contacts: Copper Alloy
    - Shell: Steel
  - SPECIFICATION
    - Contact resistance: 50mΩ max.
    - Insulation resistance: 100MΩ min.
    - Dielectric withstanding voltage: 100 VAC 1 minute.
    - Temperature range: -40°C to +105°C.

REV.	DESCRIPTION	DRAWN	CHECKED	APPROVED
C	Drawing Update	JLZ 09/05/16'		
B	Drawing Update	JLZ 11/03/14'		
A	NEW RELEASE	LL 11/15/06'		

## X-ON Electronics

Largest Supplier of Electrical and Electronic Components

*Click to view similar products for [HDMI, Displayport & DVI Connectors](#) category:*

*Click to view products by [Connfly](#) manufacturer:*

Other Similar products are found below :

[1775247-3](#) [2-1932649-5](#) [30-1231](#) [30-528](#) [2069485-1](#) [30-504](#) [30-519](#) [30-542](#) [47648-2000](#) [2002-400](#) [1453G1](#) [769-103/021-000](#) [1932649-1](#)  
[233-368NFG6-17NH](#) [G45A19071083HR](#) [233-360NF00-17NH](#) [CP30200GM3B](#) [HYC02-DVI29-371](#) [P136-06NHDV4KBP](#) [CP30116](#)  
[LTWDID-29PFFS-SL8001](#) [46765-1301](#) [1211-0010-201-001](#) [47271-1004](#) [32-1121-BU](#) [DS1117-BN0-TME-002](#) [MHDR2A11004BP](#)  
[EHHDMI2PKG](#) [1903015-3](#) [DS1114-BN0](#) [WPUSBAF](#) [500254-1931](#) [HDMR-19-01-F-SM](#) [47151-1071](#) [1747981-1](#) [0480372000](#) [0482580001](#)  
[D121073-19](#) [472710111](#) [HDMI-S-RA6-SMT-MF-15](#) [P142-000-UP](#) [P134-003](#) [P120-08N](#) [KDMIX-FS1V-WS-B](#) [P142-000-UD](#) [10029449-](#)  
[101RLF](#) [P132-000](#) [P130-000](#) [P142-06N-MICRO](#) [P142-000-MINI](#)