

PLEASE CHECK WWW.MOLEX.COM FOR LATEST PART INFORMATION

Part Number: [5009891000](#)
Status: **Active**
Description: 3.30mm Pitch Crimp Terminal, Female, 22-26 AWG, Reel

Documents:

Drawing (PDF)	Packaging Specification SPK-500989-001 (PDF)
Product Specification PS-51284-003 (PDF)	RoHS Certificate of Compliance (PDF)
Product Specification PS-51347-002 (PDF)	

General

Product Family	Crimp Terminals
Series	500989
Application	Signal
Crimp Quality Equipment	Yes
Product Name	N/A
UPC	822348810574

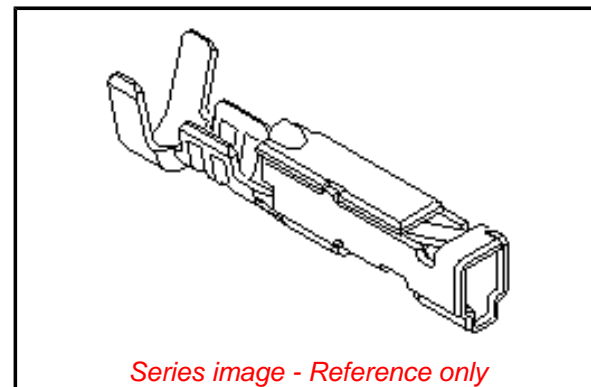
Physical

Gender	Female
Material - Metal	Copper Alloy
Material - Plating Mating	Tin
Material - Plating Termination	Tin
Net Weight	169.000/mg
Packaging Type	Reel
Termination Interface: Style	Crimp or Compression
Wire Insulation Diameter	1.25-1.70mm
Wire Size AWG	22, 24, 26
Wire Size mm ²	N/A

Material Info

Reference - Drawing Numbers

Packaging Specification	SPK-500989-001
Product Specification	PS-51284-003, PS-51347-002, RPS-501328-002, RPS-51284-012, RPS-51284-013, RPS-51284-014, RPS-51284-015
Sales Drawing	SD-500989-002



EU ELV

Not Relevant

EU RoHS

Compliant

REACH SVHC

Not Contained Per
-ED/79/2015 (17
December 2015)

Halogen-Free

Status

Low-Halogen

Need more information on product environmental compliance?

Email productcompliance@molex.com
Please visit the [Contact Us](#) section for any non-product compliance questions.

China ROHS
ELV

Green Image
Not Relevant

Search Parts in this Series

[500989](#) Series

Mates With

[501329](#) Crimp Housing . [56279](#) Crimp Terminal

Use With

[501328](#) Inertia Lock Crimp Housing . [51284](#) Crimp Housing . [51347](#) Crimp Housing

X-ON Electronics

Largest Supplier of Electrical and Electronic Components

Click to view similar products for [Terminals](#) category:

Click to view products by [Molex](#) manufacturer:

Other Similar products are found below :

[HT-13-10](#) [71M-250-32-NB](#) [01-2065-1-0216](#) [00581P0075](#) [M10-10RX](#) [M10BCK](#) [60205-1](#) [604200-1](#) [60598-1-CUT-TAPE](#) [60617-1-C](#) [60873-1](#) [M14-516R/SK](#) [M14-6RSX](#) [M18-10FLX](#) [M18-8FBX](#) [M18-8R/LX](#) [M18BCK](#) [61314-6-C](#) [61-S](#) [61-SN-A](#) [62-NBM-A](#) [63-S](#) [640179-1](#) [640917-2-CUT-TAPE](#) [6501550002](#) [66107-2-C](#) [66107-4-C](#) [696683-1](#) [696834-1](#) [696861-1](#) [696931-1](#) [696999-1](#) [M8-516RK](#) [M86700006](#) [MA250DMFMX-A](#) [701-2007](#) [701-2307](#) [701-7761-03](#) [70F-110-32-PB](#) [718-N-A](#) [71M-187-20-NBL](#) [71M-250-32-NBL](#) [72F-187-20-NBL](#) [72M-250-32-NBL](#) [7310](#) [73F-250-32](#) [73F-250-32-NBL](#) [73F-250-32-NL](#) [F14-10C](#) [F-1M](#)