

REVISIONS		
REV	ECN, ERN NO.	DATE
G	PRODUCT DRAWING (EAR 14498)	NOV/9/16

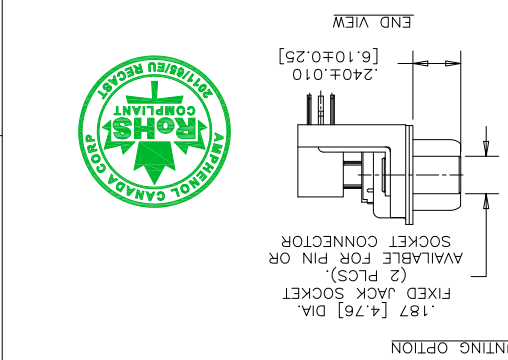
ORDERING CODE: F C E 1 7 - E 0 9 S B - 4 E 0 G

SERIES
 FCE17=FILTERED D=SUB, ROHS
 SIZE/NUMBER OF CONTACTS
 E09, A15, B25, OR C37
 CONNECTOR STYLE
 P=PIN
 S=SOCKET
 TERMINATION TYPE
 B=.405" [10.29] FOOTPRINT
 MOUNTING
 2=.120 [3.05] DIA THROUGH HOLE
 3=#4-40 UNC SELF-LOCKING THREAD
 4=#4-40 UNC THREAD
 6=M3 x 0.5 THREAD
 E=CODE 4 MOUNTING WITH #4-40 UNC HEX JACK SOCKET SUPPLIED.
 F=#4-40 UNC THREAD IN
 F=.187 [4.75] FIXED JACK SOCKET

REFER TO AMPHENOL CATALOGUE FOR FILTER PERFORMANCE CHARACTERISTICS

NO DIGIT=STANDARD 15 MICRONS MATING AREA
 G=50 MICRONS [1.27 MICRONS] GOLD ON MATING AREA
 MODIFIER
 0=STANDARD
 FILTER CAPACITANCE
 D=50 pF
 B=100 pF
 7=1200 pF
 0=180 pF
 F=350 pF
 1=1500 pF
 L=380 pF
 E=2200 pF
 4=470 pF
 9=5600 pF
 4=820 pF
 8=4700 pF
 N=NO FILTERS

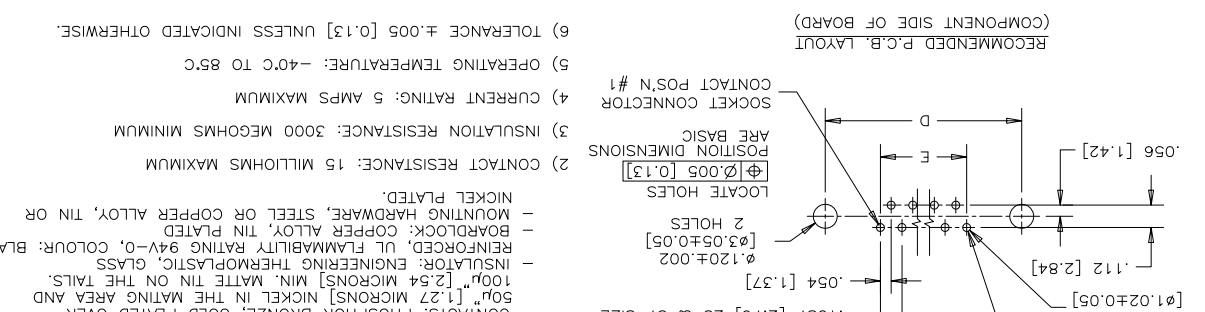
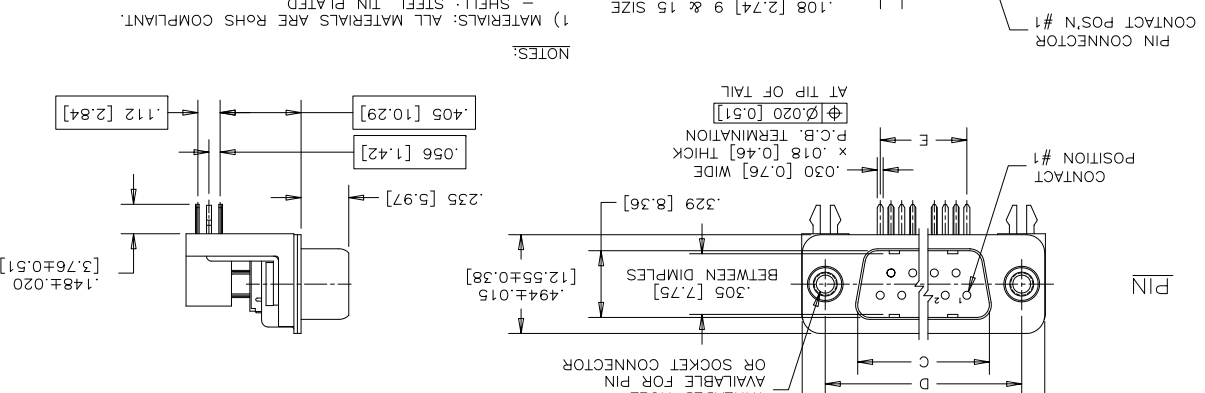
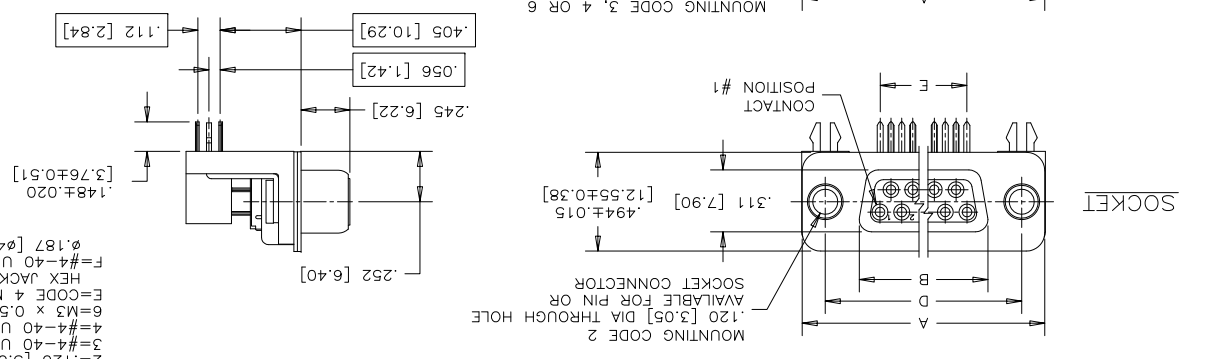
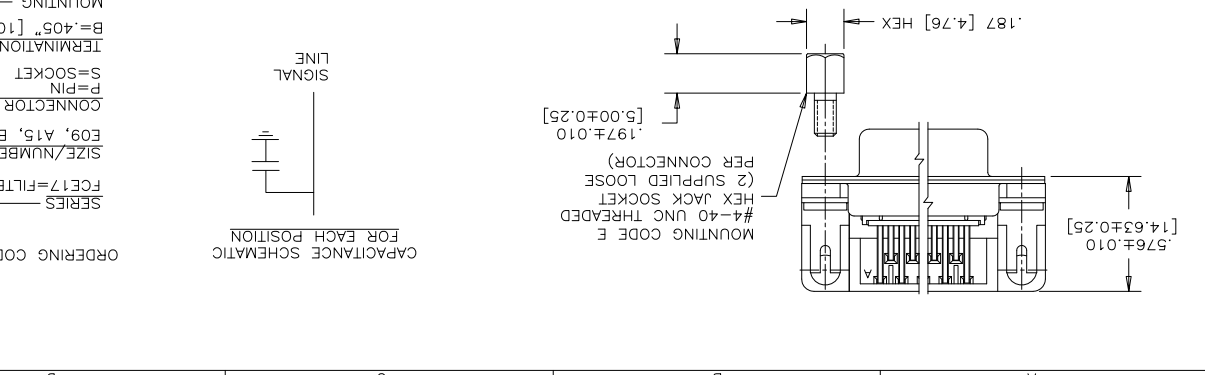
CONTACT FINISH/GOLD THICKNESS
 NO DIGIT=STANDARD 15 MICRONS MATING AREA
 G=50 MICRONS [1.27 MICRONS] GOLD ON MATING AREA
 MODIFIER
 0=STANDARD
 FILTER CAPACITANCE
 D=50 pF
 B=100 pF
 7=1200 pF
 0=180 pF
 F=350 pF
 1=1500 pF
 L=380 pF
 E=2200 pF
 4=470 pF
 9=5600 pF
 4=820 pF
 8=4700 pF
 N=NO FILTERS



SIZE	STYLE	A±.015	B±.005	C±.005	D±.005	E BSC.
E09	PIN	1.213	.666 [16.92]	.984	1.312	1.097
A15	SOCKET	[30.81]	.643 [16.33]	[24.99]	[1.312]	[7.56]
B25	SOCKET	[39.14]	.971 [24.66]	[33.32]	[1.304]	[19.20]
B25	PIN	2.088	1.534 [38.96]	1.852	1.304	1.304
C37	SOCKET	[53.04]	1.511 [38.38]	[47.04]	[33.12]	[149.68]
C37	PIN	2.729	2.182 [55.42]	2.500	1.956	1.956

DATE	DEC19/05	DESIGNED	
CHECKED	K.LAMBIE	DEC20/05	
L. E. APPRD.			
Q. A. APPRD.			
DWG. APPRD.			
ENG. REL. NO.			
REF. EAR 12892			
DIMENSIONS ARE IN INCHES [mm]	03554		
SCALE	2/1		
WT.			
SURF.			
SHEET	1 OF 1		

Amphenol Canada Corp.



1) MATERIALS: ALL MATERIALS ARE ROHS COMPLIANT.
 SHELL: STEEL, TIN PLATED
 CONTACTS: PHOSPHOR BRONZE, GOLD PLATED OVER
 50µ" [1.27 MICRONS] NICKEL IN THE MATING AREA AND 100µ" [2.54 MICRONS] MIN. MATTE TIN ON THE TAILS.
 INSULATOR: ENGINEERING THERMOPLASTIC, GLASS REINFORCED, UL FLAMMABILITY RATING 94V-0, COLOUR: BLACK
 BOARDLOCK: COPPER ALLOY, TIN PLATED
 MOUNTING HARDWARE, STEEL OR COPPER ALLOY, TIN OR NICKEL PLATED.
 2) CONTACT RESISTANCE: 15 MILLIOHMS MAXIMUM
 3) INSULATION RESISTANCE: 3000 MEGOHMS MINIMUM
 4) CURRENT RATING: 5 AMPS MAXIMUM
 5) OPERATING TEMPERATURE: -40°C TO 85°C
 6) TOLERANCE ±.005 [0.13] UNLESS INDICATED OTHERWISE.

THIS DOCUMENT CONTAINS PROPRIETARY INFORMATION AND SUCH INFORMATION MAY NOT BE DISCLOSED TO OTHERS FOR ANY PURPOSE OR USED FOR MANUFACTURING PURPOSES WITHOUT WRITTEN PERMISSION FROM AMPHENOL CANADA CORP.

X-ON Electronics

Largest Supplier of Electrical and Electronic Components

Click to view similar products for [D-Sub Standard Connectors](#) category:

Click to view products by [Amphenol](#) manufacturer:

Other Similar products are found below :

[DCM37S732N](#) [DAM15P500](#) [DEV09S364GTLF](#) [DEM09P032N](#) [DDM50P732N](#) [DAM15S332N](#) [173109-2218](#) [173109-2466](#) [173109-2436](#)
[173109-2435](#) [56F706-005-LI](#) [56F711-015](#) [015-0341-000](#) [015-0372-008](#) [015-8544-011](#) [017041-0005](#) [020419-0104](#) [012-0515-000](#) [012-9507-](#)
[034](#) [012-9507-114](#) [012-9534-001](#) [020745-0008](#) [609-25P](#) [M24308/2-23Z](#) [M243082310F](#) [M243082410F](#) [M243082411F](#) [M24308/4-21](#)
[CT1A18-11PSA206](#) [CT1N36-5SC](#) [CT2-16S-17PS](#) [CT2-20-15PCAU](#) [CT2-24-12PS](#) [CT2-24-28PSF127A206](#) [CT2-32-9PC](#) [CT6F9767-14-4-](#)
[14S-5PC](#) [CT6FA10SL-4PS](#) [CT7-18-10SC](#) [CT7-18-10SCAU](#) [CT7-18-12SCAU](#) [CT7-18-1PC](#) [CT7-18-1PCAU](#) [CT7-18-21SCAU](#) [M83513/01-](#)
[FC](#) [M83723/76W24619 L/C](#) [M85049/48-3-2F](#) [69001-865](#) [6STD09PCM99B70X](#) [6STD09SCM99B30X](#) [6STD09SCT99S40X](#)