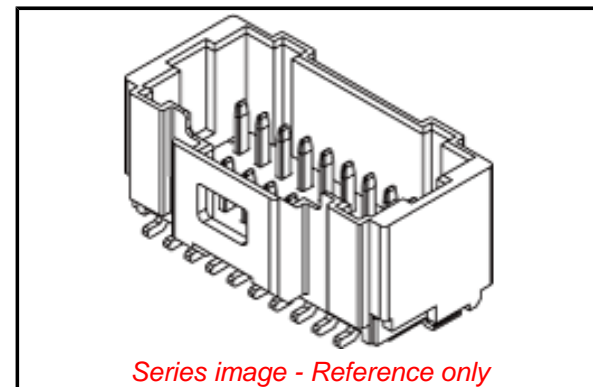


PLEASE CHECK WWW.MOLEX.COM FOR LATEST PART INFORMATION

Part Number: [5011905017](#)
Status: **Active**
Overview: Pico-Clasp™ Wire-to-Board Connectors
Description: 1.00mm Pitch Pico-Clasp™ Wire-to-Board PCB Header, Dual Row, Vertical, 50 Circuits, with Pick-and-Place Tape

Documents:

3D Model	Product Specification PS-501190-004 (PDF)
Drawing (PDF)	Packaging Specification SPK-501190-001 (PDF)
Product Specification PS-501190-001 (PDF)	RoHS Certificate of Compliance (PDF)
Product Specification PS-501190-003 (PDF)	



Agency Certification

UL E29179

General

Product Family	PCB Headers
Series	501190
Application	Signal, Wire-to-Board
Overview	Pico-Clasp™ Wire-to-Board Connectors
Product Name	Pico-Clasp™
UPC	822348790166

Physical

Breakaway	No
Circuits (Loaded)	50
Circuits (maximum)	50
Color - Resin	Natural
Durability (mating cycles max)	30
Flammability	94V-0
Glow-Wire Compliant	No
Lock to Mating Part	Yes
Material - Metal	Phosphor Bronze
Material - Plating Mating	Gold
Material - Plating Termination	Gold
Material - Resin	Nylon
Net Weight	640.300/mg
Number of Rows	2
Orientation	Vertical
PCB Locator	No
PCB Retention	Yes
Packaging Type	Embossed Tape on Reel
Pitch - Mating Interface	1.00mm
Polarized to Mating Part	Yes
Polarized to PCB	Yes
Robotic Placement	Vacuum Pick-Up Tape
Stackable	No
Temperature Range - Operating	-40°C to +105°C
Termination Interface: Style	Surface Mount

Electrical

Current - Maximum per Contact	1.0A
Voltage - Maximum	50V

Material Info

Reference - Drawing Numbers

Packaging Specification	SPK-501190-001
-------------------------	----------------

EU ELV

Not Relevant

EU RoHS

Compliant

REACH SVHC

No -ED/39/2015 (15 June 2015)

Halogen-Free

Status

Not Low-Halogen

Need more information on product environmental compliance?

Email productcompliance@molex.com
Please visit the [Contact Us](#) section for any non-product compliance questions.

China ROHS

ELV

China RoHS

Green Image

Not Relevant

Search Parts in this Series

[501190 Series](#)

Mates With

[501189 Pico-Clasp™ Wire-to-Board Female Housing](#)

Product Specification

PS-501190-001, PS-501190-003, PS-501190-004,
RPS-501190-001, RPS-501190-005, RPS-501190-008,
RPS-501190-010, RPS-501190-011, RPS-501190-012,
RPS-501190-013, RPS-501331-001
SD-501190-003, SD-501190-004

Sales Drawing

This document was generated on 12/22/2015

PLEASE CHECK WWW.MOLEX.COM FOR LATEST PART INFORMATION

X-ON Electronics

Largest Supplier of Electrical and Electronic Components

Click to view similar products for [Headers & Wire Housings](#) category:

Click to view products by [Molex](#) manufacturer:

Other Similar products are found below :

[95000-104TRLF](#) [10135584-644402LF](#) [DF62W-EP2022PCA](#) [95000-106TRLF](#) [DF62W-2022SCA](#) [DF62W-EP2022PC](#) [2203348](#) [DF62W-2022SC](#) [1084018](#) [1029039](#) [1084017](#) [802-10-012-10-002000](#) [1112640](#) [1112639](#) [891-007-9SS-BST1T](#) [000-34000](#) [0008550134](#) [0009482033](#) [0009507031](#) [57102-F02-18ULF](#) [57102-S06-03LF](#) [57202-S52-04LF](#) [PCN6-15S-2.5E](#) [0039019024](#) [58102-G61-06LF](#) [582553-1](#) [0009485154](#) [0009508121](#) [0022285053](#) [0050291907](#) [018731A](#) [LY20-4P-DT1-P1E-BR](#) [02.125.8002.8](#) [60101931](#) [60598-1 \(Cut Strip\)](#) [M1625-3R/100](#) [61062-3](#) [61082-181009](#) [CSU011177004](#) [636-1427](#) [638009-1](#) [641938-9](#) [641991-4](#) [644168-1](#) [644827-2](#) [647662-1](#) [65039-019ELF](#) [65692-001LF](#) [65781-018](#) [65781-047](#)