



1.8~3.3V

Low-Power Precision CMOS Oscillator

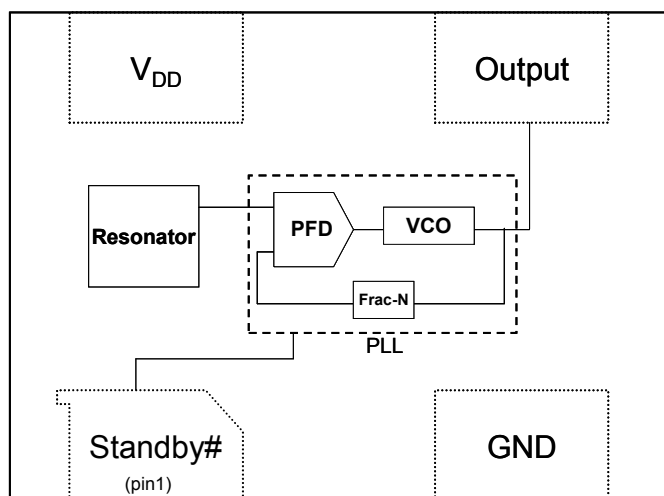
General Description

The DSC1001 is a silicon MEMS based CMOS oscillator offering excellent jitter and stability performance over a wide range of supply voltages and temperatures. The device operates from 1 to 150MHz with supply voltages between 1.8 to 3.3 Volts and temperature ranges up to -40°C to 105°C.

The DSC1001 incorporates an all silicon resonator that is extremely robust and nearly immune to stress related fractures, common to crystal based oscillators. Without sacrificing the performance and stability required of today's systems, a crystal-less design allows for a higher level of reliability, making the DSC1001 ideal for rugged, industrial, and portable applications where stress, shock, and vibration can damage quartz crystal based systems.

Available in industry standard packages, the DSC1001 can be "dropped-in" to the same PCB footprint as standard crystal oscillators.

Block Diagram



Features

- Frequency Range: 1 to 150MHz
- Exceptional Stability over Temperature
 - ±10 PPM, ±25 PPM, ±50 PPM
- Operating voltage
 - 1.7 to 3.6V
- Operating Temperature Range
 - Ext. Industrial -40°C to 105°C
 - Industrial -40°C to 85°C
 - Ext. Commercial -20°C to 70°C
 - Commercial 0°C to 70°C
- Low Operating and Standby Current
 - 5mA Operating (40MHz)
 - 15uA Standby
- Ultra Miniature Footprint
 - 2.5 x 2.0 x 0.85 mm
 - 3.2 x 2.5 x 0.85 mm
 - 5.0 x 3.2 x 0.85 mm
 - 7.0 x 5.0 x 0.85 mm
- MIL-STD 883 Shock and Vibration Resistant
- Pb Free, RoHS, Reach SVHC Compliant
- AEC-Q100 Reliability Qualified

Benefits

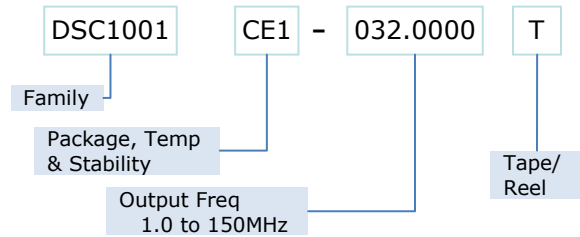
- Pin for pin "drop in" replacement for industry standard oscillators
- Semiconductor level reliability, significantly higher than quartz
- Short mass production lead-times
- Longer Battery Life / Reduced Power
- Compact Plastic package
- Cost Effective

Applications

- Mobile Applications
- Consumer Electronics
- Portable Electronics
- DVR, CCTV, Surveillance Cameras
- Low Profile Applications
- Industrial Applications

Absolute Maximum Ratings¹

| Item | Min | Max | Unit | Condition |
|----------------|------|---------|------|-------------|
| Input Voltage | -0.3 | VDD+0.3 | V | |
| Junction Temp | - | +150 | °C | |
| Storage Temp | -55 | +150 | °C | |
| Soldering Temp | - | +260 | °C | 40 sec max. |
| ESD | - | | V | |
| HBM | | 4000 | | |
| MM | | 200 | | |
| CDM | | 1500 | | |



* See Ordering Information for details

Ordering Code

Recommended Operating Conditions

| Parameter | Symbol | Range |
|-----------------------|-----------------|----------------|
| Supply Voltage | V _{DD} | 1.7 – 3.6V |
| Output Load | Z _L | R>10KΩ, C≤15pF |
| Operating Temperature | | |
| Option 1 | | -40 to +105 °C |
| Option 2 | T | -40 to +85 °C |
| Option 3 | | -20 to +70 °C |
| Option 4 | | 0 to +70 °C |

Specifications (VDD = 1.8 to 3.3v) T_A=85°C unless otherwise specified

| Parameter | Symbol | Condition | Min | Typ | Max | Unit |
|----------------------------------|-----------------|----------------------------------------------------------------------------------------------|----------------------|-----|-----------------------|-------|
| Frequency | f ₀ | Single Frequency | 1 | | 150 | MHz |
| Frequency Tolerance | Δf | Includes frequency variations due to initial tolerance, temperature and power supply voltage | | | ±10,±25,±50 | ppm |
| Aging | Δf | 1 year @25°C | | | ±5 | ppm |
| Supply Current, standby | I _{DD} | T=25°C | | | 15 | uA |
| Output Logic Levels | | | | | | |
| Output logic high | V _{OH} | -4mA | 0.8*V _{DD} | | - | Volts |
| Output logic low | V _{OL} | 4mA | - | | 0.2*V _{DD} | |
| Output Startup Time ² | t _{SU} | T=25°C | | 1.0 | 1.3 | ms |
| Output Disable Time | t _{DA} | | | 20 | 100 | ns |
| Output Duty Cycle | SYM | | 45 | | 55 | % |
| Input Logic Levels | | | | | | |
| Input logic high | V _{IH} | | 0.75*V _{DD} | | - | Volts |
| Input logic low | V _{IL} | | - | | 0.25* V _{DD} | |

VDD = 1.8v

| Parameter | Symbol | Condition | | Min | Typ | Max | Unit |
|----------------------------|----------|--------------------------------------------|--------|-----|-----|-----|------|
| Supply Current, no load | I_{DD} | $C_L=0p$ $R_L=\infty$ $T=25^\circ C$ | 1MHz | | 6.0 | 6.3 | mA |
| | | | 27MHz | | 6.5 | 6.9 | |
| | | | 70MHz | | 7.2 | 7.5 | |
| | | | 150MHz | | 8.3 | 9.1 | |
| Output Transition time | | $C_L=15pF; T=25^\circ C$ | | | | | |
| Rise Time | t_R | $20\%/80\%*V_{DD}$ | | | 1.8 | 3 | ns |
| Fall Time | t_F | | | | 1.0 | 3 | |
| Jitter, Max Cycle to Cycle | J_{CC} | $F = 100MHz^3$ | | | 60 | | Ps |

VDD = 2.5v

| Parameter | Symbol | Condition | | Min | Typ | Max | Unit |
|----------------------------|----------|--------------------------------------------|--------|-----|-----|------|------|
| Supply Current, no load | I_{DD} | $C_L=0p$ $R_L=\infty$ $T=25^\circ C$ | 1MHz | | 6.0 | 6.3 | mA |
| | | | 27MHz | | 6.7 | 7.0 | |
| | | | 70MHz | | 7.7 | 8.1 | |
| | | | 150MHz | | 9.6 | 10.6 | |
| Output Transition time | | $C_L=15pF; T=25^\circ C$ | | | | | |
| Rise Time | t_R | $20\%/80\%*V_{DD}$ | | | 1.0 | 2 | ns |
| Fall Time | t_F | | | | 0.9 | 2 | |
| Jitter, Max Cycle to Cycle | J_{CC} | $F = 100MHz^3$ | | | 50 | | ps |

VDD = 3.3v

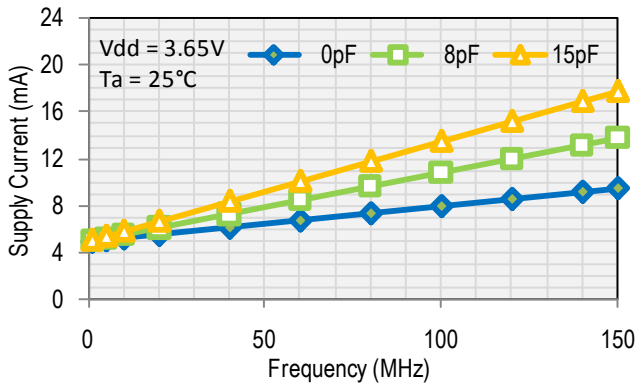
| Parameter | Symbol | Condition | | Min | Typ | Max | Unit |
|----------------------------|----------|--------------------------------------------|--------|-----|------|------|------|
| Supply Current, no load | I_{DD} | $C_L=0p$ $R_L=\infty$ $T=25^\circ C$ | 1MHz | | 6.0 | 6.3 | mA |
| | | | 27MHz | | 6.8 | 7.2 | |
| | | | 70MHz | | 8.2 | 8.7 | |
| | | | 150MHz | | 10.8 | 12.2 | |
| Output Transition time | | $C_L=15pF; T=25^\circ C$ | | | | | |
| Rise Time | t_R | $20\%/80\%*V_{DD}$ | | | 1.0 | 2 | ns |
| Fall Time | t_F | | | | 0.9 | 2 | |
| Jitter, Max Cycle to Cycle | J_{CC} | $F = 100MHz^3$ | | | 50 | | ps |

Notes:

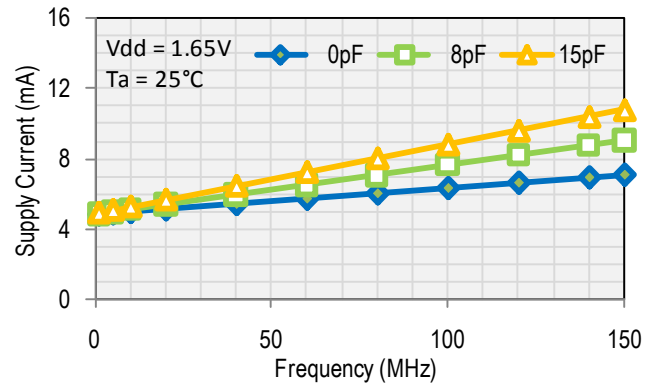
1. Absolute maximum ratings are those values beyond which the safety of the device cannot be guaranteed. The device should not be operated beyond these limits.
2. t_{SU} is time to stable output frequency after V_{DD} is applied. t_{SU} and t_{EN} (after EN is asserted) are identical values.
3. Measured over 50k clock cycles.

Nominal Performance Characteristics

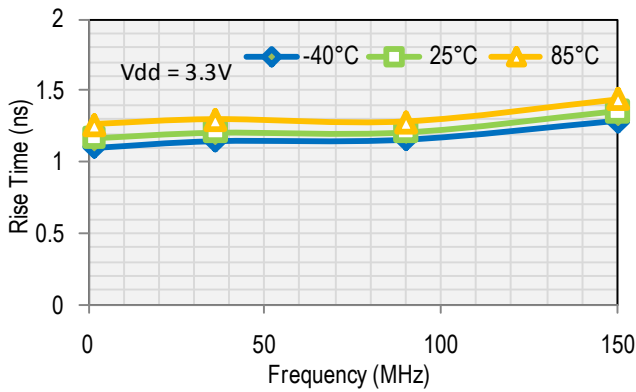
Supply Current



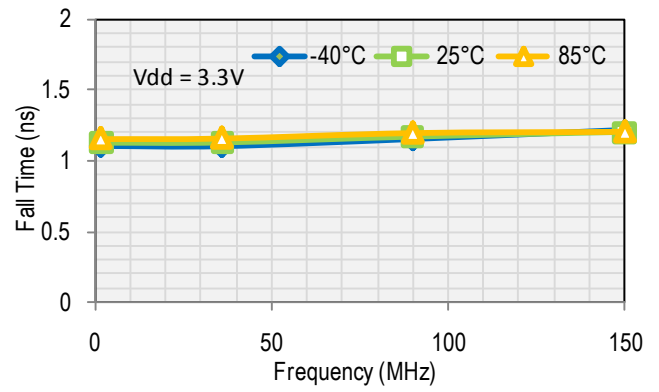
Supply Current



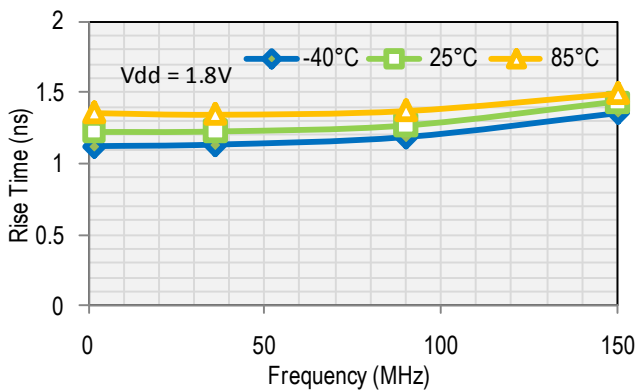
Rise Time



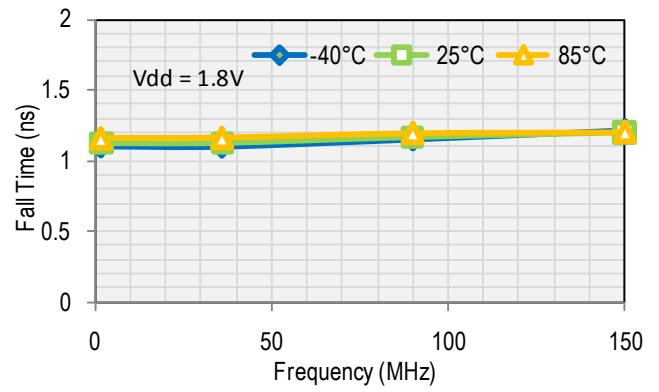
Fall Time



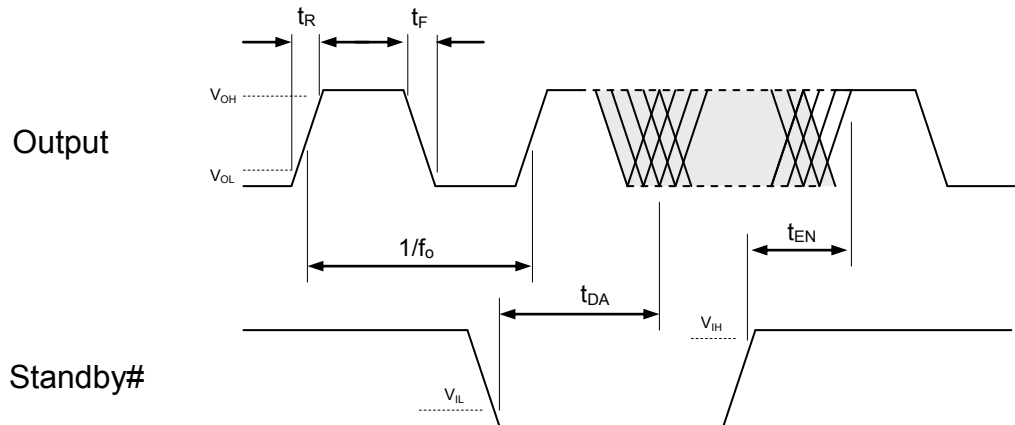
Rise Time



Fall Time



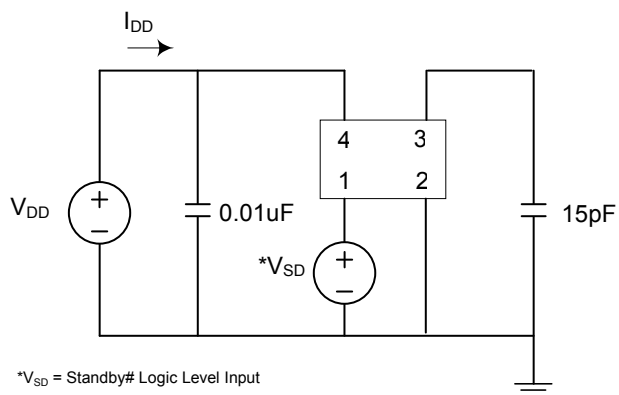
Output Waveform



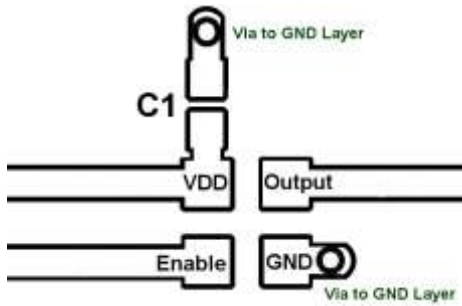
Standby Function

| Standby# (pin 1) | Output (pin 3) |
|----------------------|-------------------|
| Hi Level | Output ON |
| Open (no connect) | Output ON |
| Low Level | High Impedance |

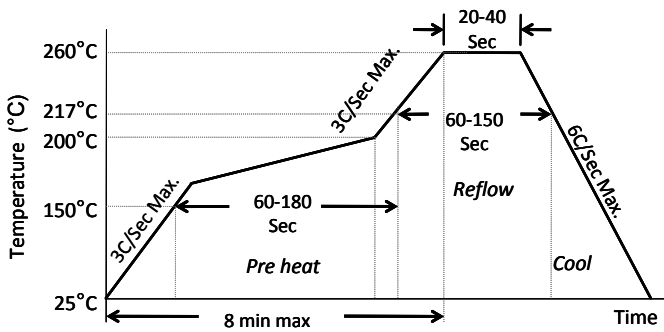
Test Circuit



Board Layout (recommended)



Solder Reflow Profile



| MSL 1 @ 260°C refer to JSTD-020C | |
|-----------------------------------|--------------|
| Ramp-Up Rate (200°C to Peak Temp) | 3°C/Sec Max. |
| Preheat Time 150°C to 200°C | 60-180 Sec |
| Time maintained above 217°C | 60-150 Sec |
| Peak Temperature | 255-260°C |
| Time within 5°C of actual Peak | 20-40 Sec |
| Ramp-Down Rate | 6°C/Sec Max. |
| Time 25°C to Peak Temperature | 8 min Max. |

Package Dimensions

7.0 x 5.0 mm Plastic Package

External Dimensions

Overall dimensions: 7.0±0.10 [0.276±0.004] mm by 5.0±0.10 [0.197±0.004] mm. Pin #1 is 0.85±0.05 [0.033±0.002] mm from the bottom edge.

Recommended Land Pattern*

Land pattern dimensions: Pad width 1.4 [0.055] mm, pad spacing 1.4 [0.055] mm, pad length 2.6 [0.102] mm. Pad-to-pad distance is 5.08 [0.200] mm.

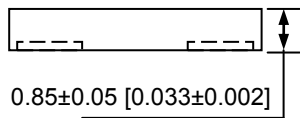
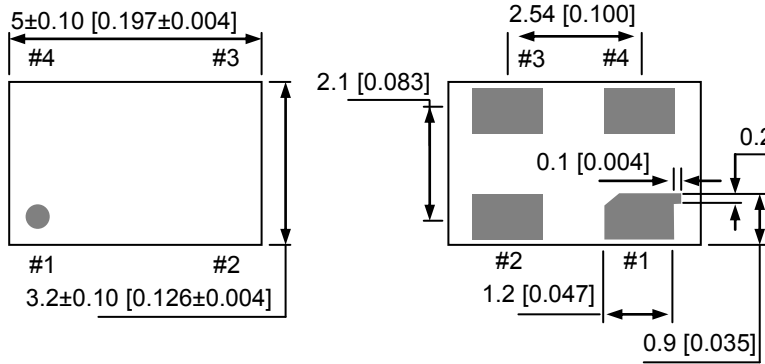
| No. | Pin Terminal |
|-----|--------------|
| 1 | Standby# |
| 2 | GND |
| 3 | Output |
| 4 | VDD |

units: mm [inch]

*Note: The center pad is not connected internally and should be left unconnected or tied to GND.

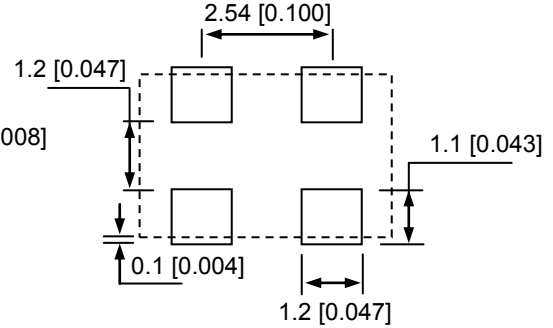
5.0 x 3.2 mm Plastic Package

External Dimensions



| No. | Pin Terminal |
|-----|--------------|
| 1 | Standby# |
| 2 | GND |
| 3 | Output |
| 4 | VDD |

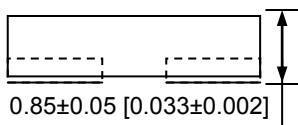
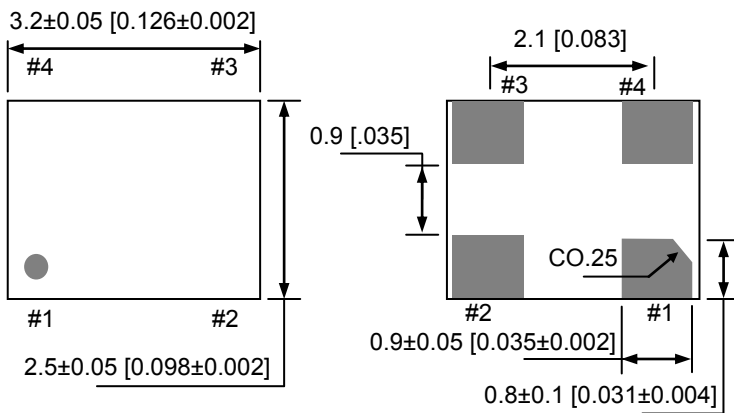
Recommended Land Pattern



units: mm [inch]

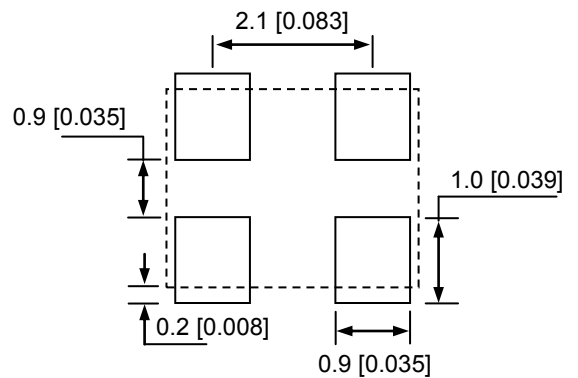
3.2 x 2.5 mm Plastic Package

External Dimensions



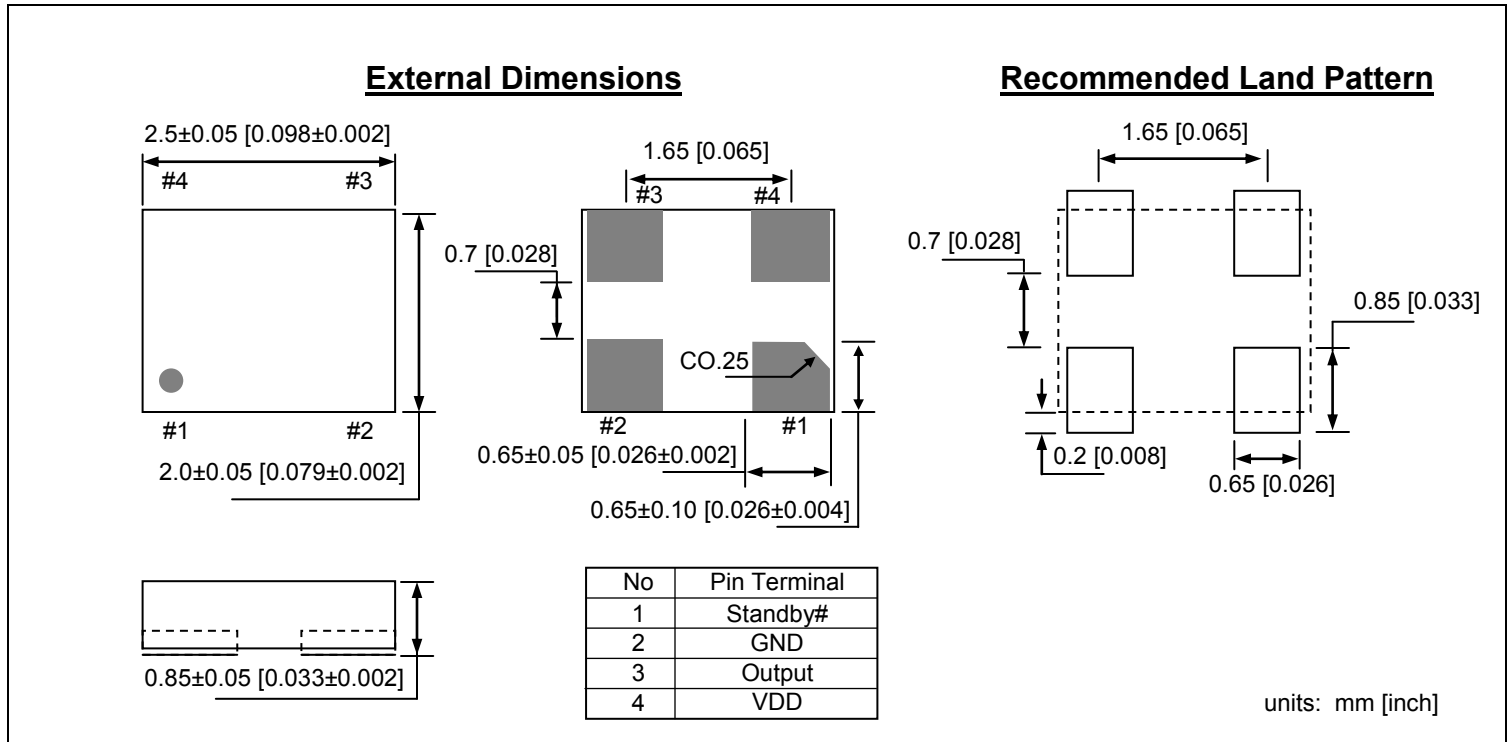
| No. | Pin Terminal |
|-----|--------------|
| 1 | Standby# |
| 2 | GND |
| 3 | Output |
| 4 | VDD |

Recommended Land Pattern



units: mm [inch]

2.5 x 2.0 mm Plastic Package



Ordering Information

DSC1001 PTS – xxx.xxxx T

| PART NUMBERING GUIDE | | | | |
|--------------------------------------------------------------------------------------------------|-----------------------------------------------------------------------------------------------------------------|----------------------------------------------------------------|-----------------|----------------------------------------------|
| Package (Plastic QFN) | Temperature | Stability | Frequency | Packing Option |
| P=A: 7.0x5.0mm P=B: 5.0x3.2mm P=C: 3.2x2.5mm P=D: 2.5x2.0mm | T=C: 0° ~ +70° C T=E: -20° ~ +70° C T=I: -40° ~ +85° C T=L: -40° ~ +105° C | S=1: ±50ppm S=2: ±25ppm S=5: ±10ppm | xxx.xxxx | Blank: Tubes T: Tape & Reel |

Example: DSC1001CE1-123.0000T

The example part number above is a 123.0000MHz oscillator in Plastic 3.2x2.5mm package, with ±50ppm stability over an operating temperature of -20 to +70°C, shipped in Tape and Reel.

Disclaimer:

Micrel makes no representations or warranties with respect to the accuracy or completeness of the information furnished in this data sheet. This information is not intended as a warranty and Micrel does not assume responsibility for its use. Micrel reserves the right to change circuitry, specifications and descriptions at any time without notice. No license, whether express, implied, arising by estoppel or otherwise, to any intellectual property rights is granted by this document. Except as provided in Micrel's terms and conditions of sale for such products, Micrel assumes no liability whatsoever, and Micrel disclaims any express or implied warranty relating to the sale and/or use of Micrel products including liability or warranties relating to fitness for a particular purpose, merchantability, or infringement of any patent, copyright or other intellectual property right.

Micrel Products are not designed or authorized for use as components in life support appliances, devices or systems where malfunction of a product can reasonably be expected to result in personal injury. Life support devices or systems are devices or systems that (a) are intended for surgical implant into the body or (b) support or sustain life, and whose failure to perform can be reasonably expected to result in a significant injury to the user. A Purchaser's use or sale of Micrel Products for use in life support appliances, devices or systems is a Purchaser's own risk and Purchaser agrees to fully indemnify Micrel for any damages resulting from such use or sale.

MICREL, Inc.
Phone: +1 (408) 944-0800

•

2180 Fortune Drive,
Fax: +1 (408) 474-1000

San Jose, California 95131
• Email: hbwhelp@micrel.com

•

USA
www.micrel.com

X-ON Electronics

Largest Supplier of Electrical and Electronic Components

Click to view similar products for [Standard Clock Oscillators](#) category:

Click to view products by [Microchip](#) manufacturer:

Other Similar products are found below :

[EP1400SJTSC-125.000M](#) [601137](#) [601252](#) [CSX750FBC-24.000M-UT](#) [CSX750FBC-33.333M-UT](#) [CSX750FCC-3.6864M-UT](#) [F335-12](#) [F335-25](#) [DSC506-03FM2](#) [ASA-20.000MHZ-L-T](#) [ASA-25.000MHZ-L-T](#) [ASA-27.000MHZ-L-T](#) [ASV-20.000MHZ-LR-T](#) [ECS-2018-160-BN-TR](#) [EL13C7-H2F-125.00M](#) [MXO45HS-2C-66.6666MHZ](#) [SiT1602BI-22-33E-50.000000E](#) [SIT8003AC-11-33S-2.04800X](#) [SiT8256AC-23-33E-156.250000X](#) [SIT8918AA-11-33S-50.000000G](#) [SM4420TEV-40.0M-T1K](#) [SMA4306-TL-H](#) [F335-24](#) [F335-40](#) [F335-50](#) [F535L-10](#) [F535L-12](#) [F535L-16](#) [F535L-27](#) [F535L-48](#) [PE7744DW-100.0M](#) [CSX750FBC-20.000M-UT](#) [CSX-750FBC33333000T](#) [CSX750FBC-4.000M-UT](#) [CSX750FBC-7.3728M-UT](#) [CSX750FBC-8.000M-UT](#) [CSX-750FCC14745600T](#) [CSX750FCC-16.000M-UT](#) [CSX-750FCC40000000T](#) [CSX750FCC-4.000M-UT](#) [ASA-22.000MHZ-L-T](#) [ASA2-26.000MHZ-L-T](#) [ASA-40.000MHZ-L-T](#) [ASA-48.000MHZ-L-T](#) [ASA-60.000MHZ-L-T](#) [ASF1-3.686MHZ-N-K-S](#) [XLH735025.000JU4I8](#) [XLP725125.000JU6I8](#) [XO37CTECNA10M](#) [XO57CRECNA16M](#)