

Cardmaster Enclosures

Product presentation

Two compartments in one

CARDMASTER range is ideal for packaging instrumentation, measurement, monitoring and process control equipment. It provides two compartments - one for circuit boards and sensors with slots for printed circuit board insertion, and another one for terminal and wiring.

All sizes are available in both polycarbonate and ABS.

Ready access to surface mounted components via hinged covers or rigid front plates.



Cardmaster Enclosures

Features



Available in PC and ABS

IP 65 (PC,ABS)

High impact resistance – IK 08 (PC) and IK 07 (ABS)

Sizes from 166x160x80 up to 390x316x167 mm

5 Footprints

Two compartments (for PCB and terminal block)

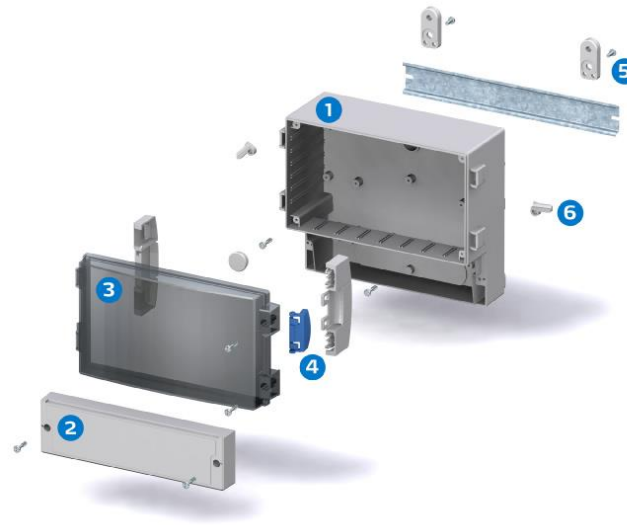
Latch locking – easy acces/good protection to push buttons

Knock-outs available in PC version

Compatible with competitors ranges

Ideal for packaging instrumentation, measurement, monitoring and process control equipment

Cardmaster Enclosures



Enclosure

- 1 Basic enclosure optionally available with or without knockouts
- 2 PC front plate frame or transparent hinged cover options are standard. PUR gasket and assembly screws are included. Separate connection compartment.
- 3 Polycarbonate and ABS enclosure body available.
- 4 Facility to install tamper proof locking screws in the hinged cover.

Accessories

- 5 Fastening lugs, 2 pcs. incl. screws hinge and lock set
- 6 Internal mounting options and external

Cardmaster Enclosures

Technical information and approvals

CARDMASTER

Including: Base, terminal compartment cover and screws for mounting plate/DIN-rail. -3 and -L3 versions: Transparent cover with PUR gasket, hinges, locking devices; FC version: Closed PC frame front plate with PUR gasket and cover screws.

17/16-25/22 PC: IP66/IP67, IK08, ABS:IP65, IK07
 30/25-36/31 PC: IP65, IK08, ABS: IP65, IK07

CARDMASTER technical information			Confirmary to standards
Property	Polycarbonate (PC)	ABS	
Ingress Protection (EN 60529)	IP66/IP67 IP65	IP 65 IP 65	USA Enclosures for Electrical Equipment PC: UL Type 1, 4X* or 12K; UL File E75645 Vol 1 Sec 5; UL 746C-5VA flame test (UL 50/508)* PC 17/16L, 17/16 and 21/18: -3 and -FC3 -models ABS: NEMA 1, 12K Canada Industrial Control Equipment Enclosures for Electrical Equipment/ULc* Europe Empty enclosures for low-voltage switchgear and controlgear assemblies EN 62208:2003 Europe Safety of Information Technology Equipment EN 60950 RoHS directive 2002/95/EC Russia GostR - Gost Russian certificate of conformity * UL label on request
Impact Resistance (EN 62262)	IK 07 (side surface) IK 08 (front surface)	IK07	
Température Range Celsius (short term) Fahrenheit	-40° .. 120°C -40° .. 250°F	-40° .. 80°C -40° .. 175°F	
Température Range Celsius (continuous) Fahrenheit	-40° .. 80°C -40° .. 175°F	-40° .. 60°C -40° .. 140°F	
Electrical Insulation	Totally Insulated ☐	Totally Insulated ☐	
Light Grey Parts Colour	RAL 7035 Industry Grey	RAL 7035 Industry Grey	
Transparent Clear PC Cover	Smoked Grey or Clear	Smoked Grey or Clear	
Latches (PA)	RAL 5023	RAL 5023	
Gasket	PUR/EPDM	PUR/EPDM	
Enclosure Flammability Rating	UL 746C 5V*		
Glow Wire Test (IEC 695-2-1) Self-extinguishing (PC)	960°C	650°C	
Non-toxicity	Halogen Free	Halogen Free	
UV resistance	UL 508 720 hours in "Weatherometer"		
Chemical Resistance **	Good	Good	

Data subject to change without notice.

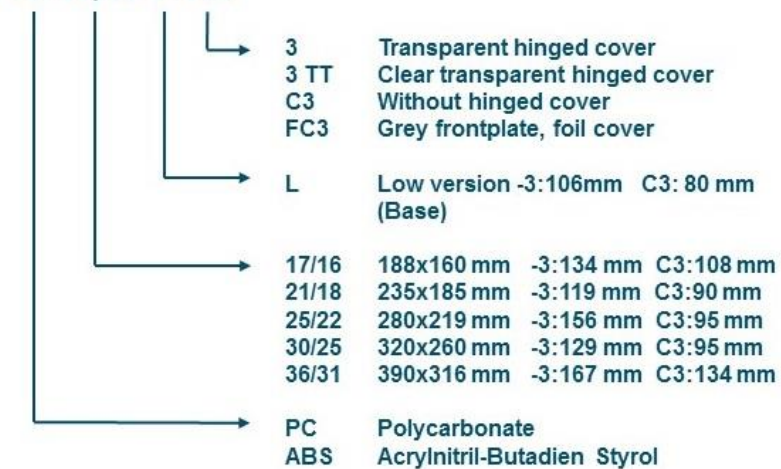
** Consult separate raw material data for more detailed information

Cardmaster Enclosures



Product Key Cardmaster

PC 17/16 L FC3



Cardmaster Enclosures

Typical applications

- Advanced control & instrumentation units



Cardmaster Enclosures

Learn more:

- www.fibox.com
 - [Cardmaster products](#)
 - [Accessories](#)
- Catalogues
 - [Fibox Cardmaster](#)
 - [Fibox Enclosure and Cabinet Overview:](#)
 - [Enclosure catalogue 5.0](#)

X-ON Electronics

Largest Supplier of Electrical and Electronic Components

Click to view similar products for [Electrical Enclosures](#) category:

Click to view products by [Fibox](#) manufacturer:

Other Similar products are found below :

[120-902](#) [120-905](#) [120-403](#) [120-475](#) [120-901](#) [127-410](#) [130-007](#) [130-504](#) [130-506](#) [MR-25L+](#) [30-8739](#) [PIP-11774SCREW](#) [30-9715](#) [MR-25LW+](#) [110-407](#) [111-004](#) [111-008](#) [110-402](#) [110-901](#) [110-907](#) [111-002](#) [110-406](#) [110-910](#) [110-404](#) [110-409](#) [110-410](#) [120-405](#) [106-009](#) [106-505](#) [105-401](#) [106-006](#) [104-406](#) [137-002](#) [105-405](#) [111-005](#) [127-909](#) [106-502](#) [130-475](#) [130-503](#) [127-401](#) [106-010](#) [127-455](#) [127-475](#) [110-903](#) [R260-180-300](#) [9511020](#) [9822029](#) [9820014](#) [P61603000P](#) [9823009](#)