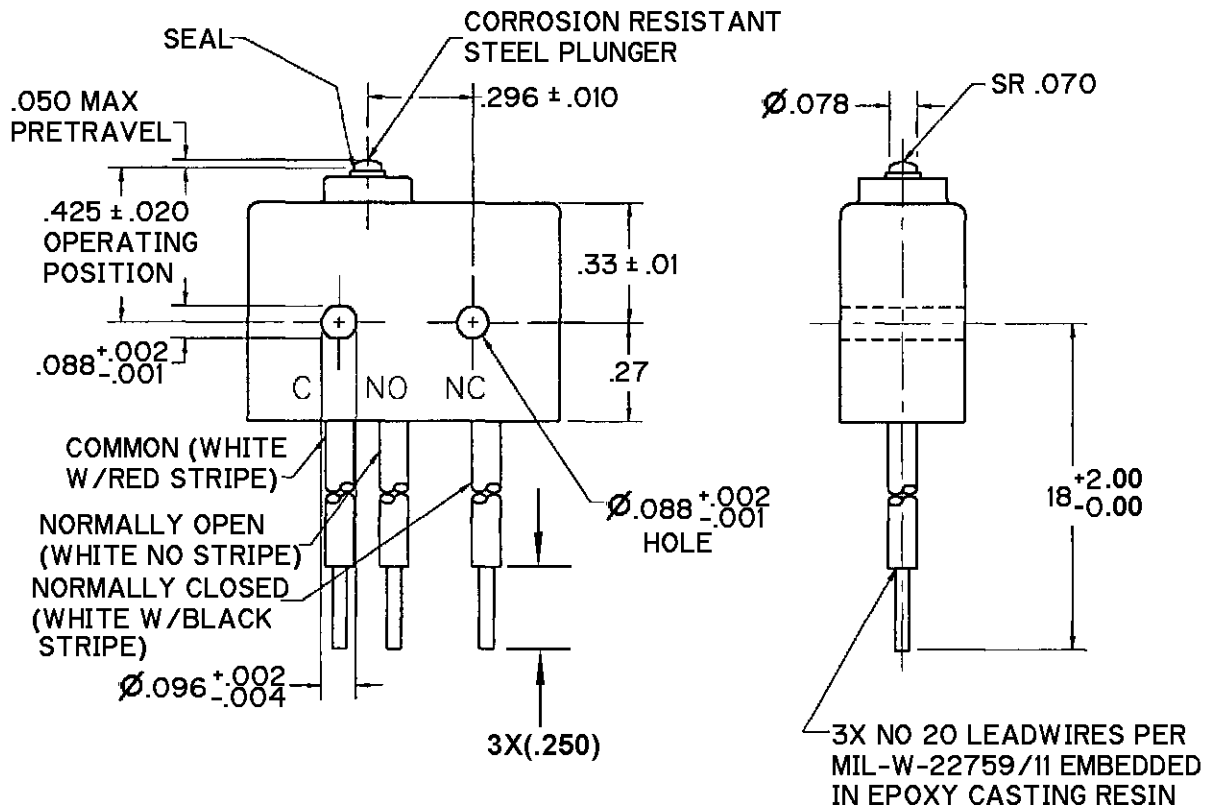
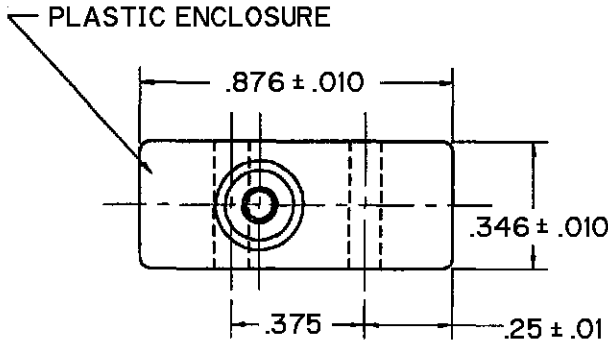
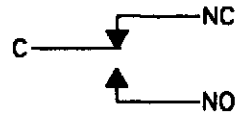


CIRCUIT DIAGRAM

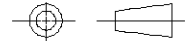


- NOTES**
1 - SWITCH SEALED PER MIL-PRF-8805, SYMBOL 3
2 - MARK PER MIL-PRF-8805

ANSI Y14.5M-1982 APPLIES

THIS DRAWING COVERS A PROPRIETARY ITEM AND IS THE PROPERTY OF MICRO SWITCH, A DIVISION OF HONEYWELL. THIS DRAWING IS NOT TO BE COPIED OR USED WITHOUT THE APPROVAL OF MICRO SWITCH.

THIRD ANGLE PROJECTION



CHARACTERISTICS	ELECTRICAL DATA				SCALE	NONE	DO NOT SCALE PRINT
	CONTACT ARRANGEMENT S P D T (SILVER)				UNLESS OTHERWISE SPECIFIED TOLERANCES ARE		
OPERATING FORCE ----- 5 - 17 OZ	LOAD (AMPS)	SEA LEVEL		50,000 FT	ONE PLACE (.0)	± .030	
RELEASE FORCE ----- 4 OZ MIN		28 VDC	125 & 250 VAC AT 60 Hz	28 VDC	TWO PLACE (.00)	± .015	
RELEASE TRAVEL ----- .004 MIN	RES	5	5	5	THREE PLACE (.000)	± .005	
DIFFERENTIAL TRAVEL ----- .004 MAX		IND	3	5	2.5	ANGLES	± 4°
OVERTRAVEL ----- .003 MIN	WEIGHT						

CATALOG LISTING
 ZS-1009
 PAGE 1 OF 1
 RELEASE NO. PR-24199
 REPLACES
 ISSUE 2
 REVISIONS
 A 0008953
 KSR 19NOV04
 19NOV04
 AK
 CHECK
 11 AUG 99
 J A F
 CHECK
 11 AUG 99
 J J A
 DRAWN
 RASTER

X-ON Electronics

Largest Supplier of Electrical and Electronic Components

Click to view similar products for [Basic / Snap Action Switches](#) category:

Click to view products by [Honeywell](#) manufacturer:

Other Similar products are found below :

[83228001](#) [01.098.1358.1](#) [602EN1-6B](#) [602EN532](#) [602EN535-RB](#) [602HE5-RB1](#) [604HE162](#) [604HE223-6B](#) [624HE17-RB](#) [6HM89](#) [6PA78-JM](#)
[6SE1](#) [6SX1-H58](#) [70500840](#) [MBD5B1](#) [MBH2731](#) [73-316-0012](#) [79211759](#) [79211923](#) [79218589](#) [7AS12](#) [ML-1155](#) [ML-1376](#) [831010C3.0](#)
[831060C3.TL](#) [831090C2.EL](#) [83131904](#) [84212012](#) [8AS239](#) [8HM73-3](#) [903VB1-PG](#) [914CE1-6G](#) [PL-100](#) [11SM1077-H4](#) [11SM1077-H58](#)
[11SM1-TN107](#) [11SM405](#) [11SM703-T](#) [11SM8423-H2](#) [11SX37-T](#) [11SX48-H58](#) [11SX55-H58](#) [11SM2442-T](#) [11SM76-T](#) [11SM77-H58](#)
[11SM77-T](#) [11SM863-T](#) [11SM866](#) [11SX47-H58](#) [A7CN-1M-1-LEFT](#)