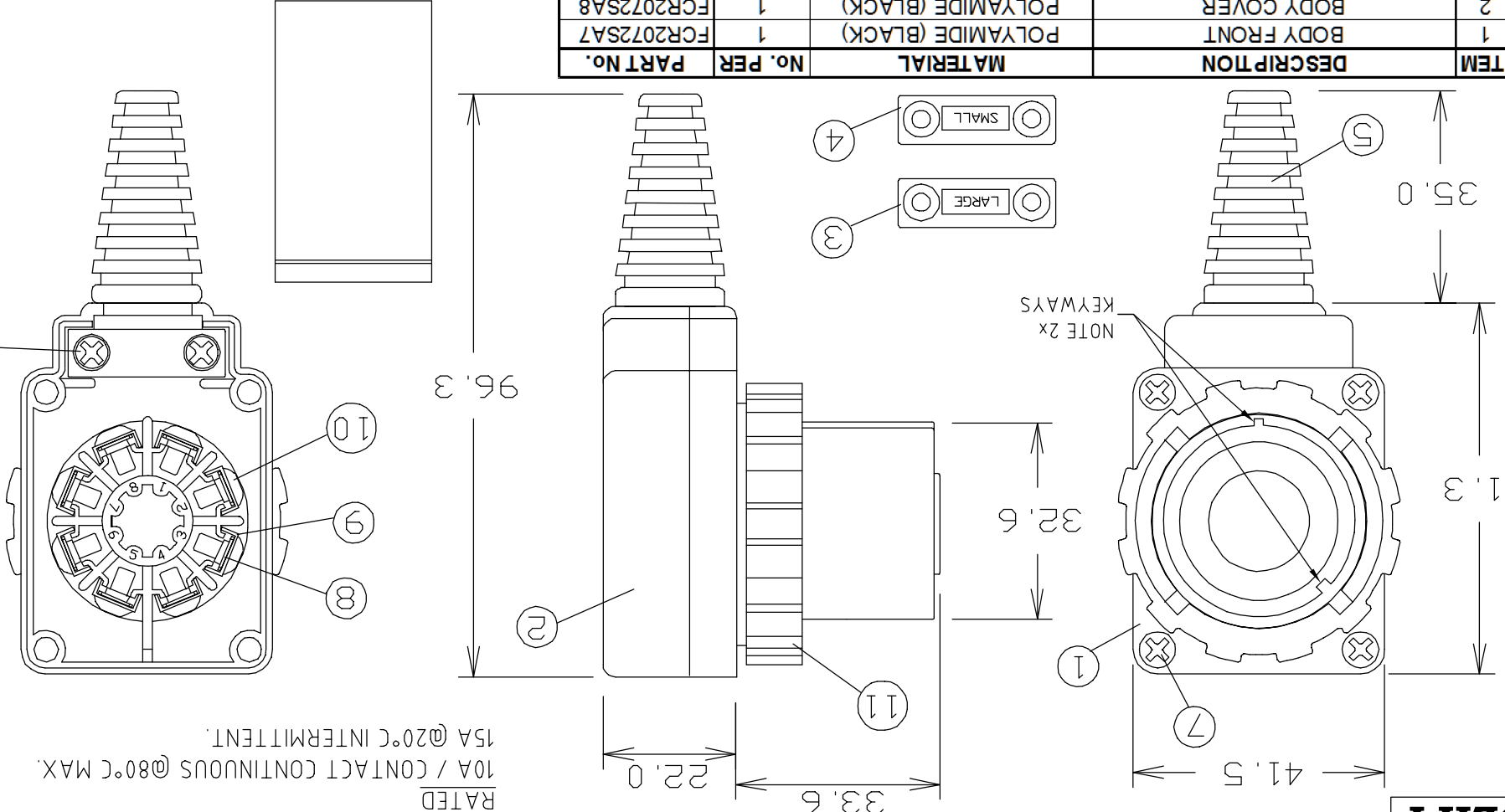


ITEM	DESCRIPTION	MATERIAL	NO. PER	PART No.
1	BODY FRONT	POLYAMIDE (BLACK)	1	FCR2072SA7
2	BODY COVER	POLYAMIDE (BLACK)	1	FCR2072SA8
3	CABLE CLAMP LARGE	POLYAMIDE / GF (BLACK)	1	FCR2072SA9
4	CABLE CLAMP SMALL	POLYAMIDE / GF (BLACK)	1	FCR2072SA10
5	GROMMET #2	PVC	1	FCR6938SA12
6	SCREW (CABLE CLAMP)	STEEL NI PLATE 3mmx14	2	FCR6938SA2
7	SCREW (COVER)	STEEL / BLK #6x15	4	FCR6938SA3
8	CONTACT	BRASS / Sn PLATED	8	FCR6938SA4
9	CONTACT WASHER	BRASS / NI PLATED	8	FCR6938SA5
10	M3x6 MUSHROOM HEAD SCREW	STEEL / NI PLT	8	FCR6938SA6
11	LOCKING RING	NYLON (ORANGE)	1	FCR2072SA11
12	ASSEMBLY GUIDE LEAFLET	PAPER	1	FCR2072SA12

PART No.	DESCRIPTION	NOTES
FCR2072	8PC/P	STANDARD
FCR2073	8PC/P'S SOLDER	ITEMS 9+10 OMITTED
VARIANTS		
FCR2073	TAG VERSION	OMITTED

PACKING INDIVIDUALLY PACKED IN ZIPTOP POLY BAG.



RATED
 10A / CONTACT CONTINUOUS @80°C MAX.
 15A @20°C INTERMITTENT.

ROHS COMPLIANT

TOLERANCE
 NO DEC. PLACE ±
 1 DEC. PLACE ±
 2 DEC. PLACE ±
 HOLE Ø ±
 ANGLES ±
 UNLESS OTHERWISE STATED

ISS	AMEND	DATE
1	1st DRAWN	20/03/96
2	SA12 WAS FC6741	26/04/96
3	WAS FC6938	04/07/96
4	SAs WAS Sn PLT	30/07/96
5	P/Nos UPDATED	08/10/97
6	CL2073 NOTE	06/10/99
7	WAS CL2072	07/12/04
8	ITEM 10 DESC.	09/05/05
9	FCR6938SA12	01/06/05
10	LEAFLET DETAIL	12/01/07
11	RS LABEL ADD	23/07/07
12	LOCATION GROOVE ADD	20/03/12
13	FCR6938SA2 WAS L15	07/10/14
14	3mm SCREW WAS M3	01/05/15
15	FOR20721 REMOVED	08/10/15

X-ON Electronics

Largest Supplier of Electrical and Electronic Components

Click to view similar products for [AC Power Entry Modules](#) category:

Click to view products by [Cliff](#) manufacturer:

Other Similar products are found below :

[0098.0050](#) [6-1609987-9](#) [6167.0002](#) [7-6609955-2](#) [FN389-4-22](#) [FN9233ER-12-06](#) [FN9233S1-10-06](#) [FN9233S1-8-06](#) [FN9233S1B-8-06](#)
[FN9233S1R-1-06](#) [FN9233S1R-12-06](#) [FN9233SB-1-06](#) [FN9233SB-12-06](#) [FN9233SB-8-06](#) [FN9233SR-10-06](#) [FN9233SR-3-06](#) [FN9244B-15-06](#)
[HI](#) [FN9244EB-3-06](#) [FN9244EB-8-06](#) [FN9244ER-15-06](#) [FN9244ER-8-06](#) [FN9244ES1-8-06](#) [FN9244ESB-8-06](#) [FN9244EU-6-06](#)
[FN9244R-12-06](#) [FN9244R-3-07](#) [FN9244R-8-06](#) [FN9244S1-10-06](#) [FN9244S1-12-06](#) [FN9244S1-3-06](#) [FN9244S1B-6-06](#) [FN9244S1R-3-06](#)
[FN9244S-6-06](#) [FN9244SB-10-06](#) [FN9244SB-6-06](#) [FN9244SB-8-06](#) [FN9244SR-10-06](#) [FN9244SR-6-06](#) [FN9244U-3-06](#) [FN9244U-8-06](#)
[FN9260A-6-06](#) [PE00SSSXB](#) [Fuse-H-EUR-1](#) [Fuse-H-USA-1](#) [PM00XD000](#) [PS0SSDBX0](#) [PS0SXSH3B](#) [A-0701-HT-H](#) [RAPC3FG](#) [15EJMS8](#)