



The **CLIFF®** Cliffcon® 8 pole connectors are intended for any application where a reliable locking touch proof connector system is required. Incorporating a tough, durable construction with touch proof contacts to EN60065, IEC348 and EN61010-1, easy locking / unlocking mechanism and integral cable clamp, Cliffcon® is the ideal connector for many different applications such as lighting, chargers and instrumentation. Receptacles are available for panel and vertical PCB mounting. Line connectors are available right-angled.

Significant features include:

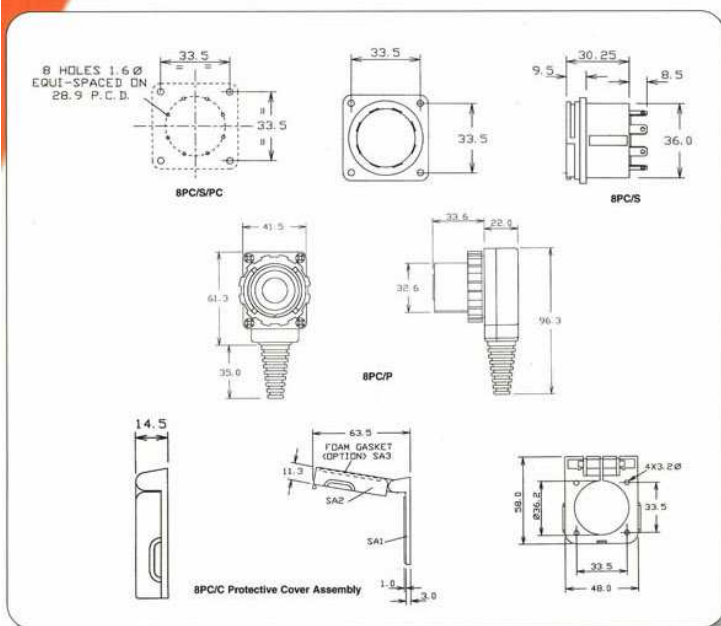
- Safety leading ground pin - makes first, breaks last to prevent damage from arcing if disconnected under load.
- FastOn® quick disconnect on panel mounting socket.
- Choice of flat head screw / washer or solder tag connections in cable plug.
- Integral Cable Clamp for 6mm to 15mm diameter cable.
- Panel mounting connector is airtight.
- Plug and socket mated meets IP55 minimum.

Cliff Electronic Components, Ltd.
76 Holmethorpe Avenue, Holmethorpe Ind. Est.
Redhill, Surrey RH1 2PF, England
Tel: +44 (0) 1737 771375
Fax: +44 (0) 1737 766012
Email: sales@cliffuk.co.uk



Visit us online at:

www.cliffuk.co.uk



Specification:

Rated Current: 8 pin 10A, RMS @ 80°C, 15A, RMS @ 20°C.
(same current on all 8 pins flowing through both plug and socket).
Rated Voltage: 250V AC max.
Contact Resistance New: < 8mΩ.
Capacitance between Terminals : < 3.5pf.
Insulation Resistance: > 20mΩ @ 1000V.
Inrush Current: > 30A. / 20mS.
Operating Voltage: -20°C to +80°C.
Recommended Wiring: Pin 1 designated for Earth.
Contacts: Tin plated.
Max. Wire Size: 6mm² / 10AWG (solid) 4mm² / 12AWG (stranded).

X-ON Electronics

Largest Supplier of Electrical and Electronic Components

Click to view similar products for [AC Power Entry Modules](#) category:

Click to view products by [Cliff](#) manufacturer:

Other Similar products are found below :

[0098.0050](#) [6-1609987-9](#) [6167.0002](#) [7-6609955-2](#) [FN389-4-22](#) [FN9233ER-12-06](#) [FN9233S1-10-06](#) [FN9233S1-8-06](#) [FN9233S1B-8-06](#)
[FN9233S1R-1-06](#) [FN9233S1R-12-06](#) [FN9233SB-1-06](#) [FN9233SB-12-06](#) [FN9233SB-8-06](#) [FN9233SR-10-06](#) [FN9233SR-3-06](#) [FN9244B-15-](#)
[06HI](#) [FN9244EB-3-06](#) [FN9244EB-8-06](#) [FN9244ER-15-06](#) [FN9244ER-8-06](#) [FN9244ES1-8-06](#) [FN9244ESB-8-06](#) [FN9244EU-6-06](#)
[FN9244R-12-06](#) [FN9244R-3-07](#) [FN9244R-8-06](#) [FN9244S1-10-06](#) [FN9244S1-12-06](#) [FN9244S1-3-06](#) [FN9244S1B-6-06](#) [FN9244S1R-3-06](#)
[FN9244S-6-06](#) [FN9244SB-10-06](#) [FN9244SB-6-06](#) [FN9244SB-8-06](#) [FN9244SR-10-06](#) [FN9244SR-6-06](#) [FN9244U-3-06](#) [FN9244U-8-06](#)
[FN9260A-6-06](#) [PE00SSSXB](#) [Fuse-H-EUR-1](#) [Fuse-H-USA-1](#) [PM00XD000](#) [PS0SSDBX0](#) [PS0SXSH3B](#) [A-0701-HT-H](#) [RAPC3FG](#) [15EJMS8](#)