

**DESCRIPTION**

Standard liquid level sensor. The sensor has to be mounted vertically for best results.

Two versions are available:

**PP** (Polypropylene) for water applications and dilute acids

**PA** (Polyamide) for use in oil, gasoline (petrol) and brake fluid

The standard termination is a PVC cable with a cross section of 0.14 mm<sup>2</sup> and a length of 500 mm. The cable can be modified on request.

**FEATURES**

- High power switches available
- Other cables, connectors and colors available
- Form A (normally open) and Form B (normally closed) types are available

**MATERIALS**

<b>Materials PA version</b>	
Shaft, nut	Polyamide black
Float	Polyamide black
Seal	Nitrile rubber
<b>Materials PP version</b>	
Shaft, nut	Polypropylene black
Float	Polypropylene black
Seal	Nitrile rubber

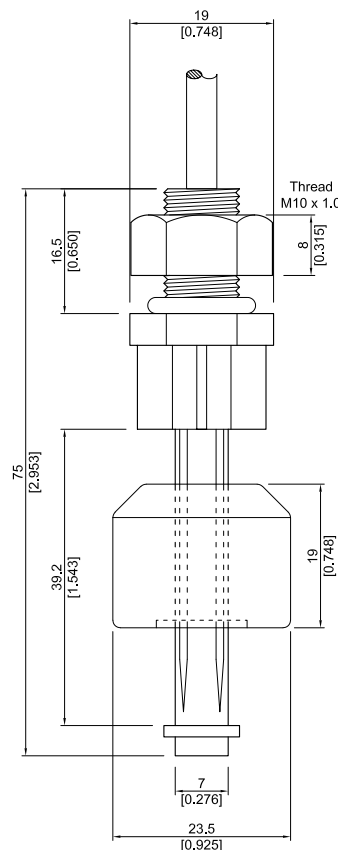


**APPLICATIONS**

- Liquid container monitoring in household appliances, automotive applications, test and measurement, and control technology.

**DIMENSIONS**

All dimensions in mm [inches]

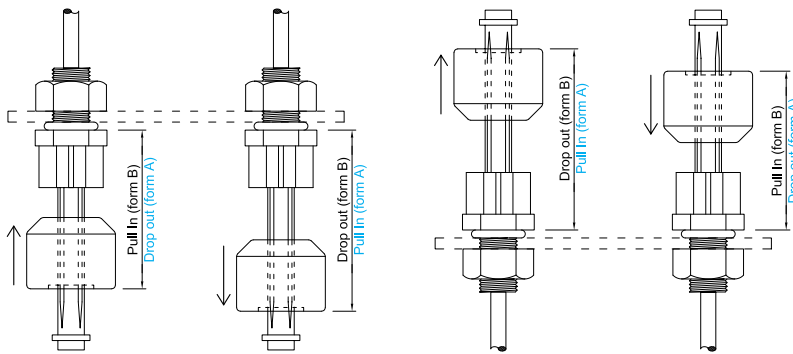


# LS02 Series

# MEDER electronic

## Level Sensors with Magnetic Floats

### MOVEMENT



### ORDER INFORMATION

SERIES	CONTACT FORM	SWITCH MODEL	MATERIAL	CABLE LENGTH (mm)	TERMINATION
LS02 -	XX	XX -	XX -	XXX	X
OPTIONS	1 Form A	66, 84	PA, PP	500 *	W, X, Y
	1 Form B				

\* Other cable lengths available.

#### Part Number Example

LS02 - 1A66 - PA - 500 W

1A is the contact form  
 66 is the switch model  
 PA is the material  
 500 is the cable length (mm)  
 W is the termination

### TERMINATION

For wire and termination details please consult factory.

W		The cable cut length includes: 30 mm of separated wire with 5mm of wire stripped and tinned
X		The cable cut length includes: 30 mm of separated wire with individual crimped terminals
Y		The cable cut length includes: 30 mm of separated wire with individual spade terminals

CONTACT DATA

All data 20 °C	Switch Model --> Contact Form -->	Switch 66 Form A / B			Switch 84 Form A / B			
Contact Ratings	Conditions	Min.	Typ.	Max.	Min.	Typ.	Max.	Units
Switching Power	Any DC combination of V & A not to exceed their individual max.'s			10			10	W
Switching Voltage	DC or peak AC			200			400	V
Switching Current	DC or peak AC			0.5			0.5	A
Carry Current	DC or peak AC			1.25			1.0	A
Static Contact Resistance	w/ 0.5V & 10mA			150			150	mΩ
Dynamic Contact Resistance	Measured w/ 0.5V & 50mA 1.5 ms after closure			200			200	mΩ
Insulation Resistance across Contacts	100 Volts applied	10 <sup>10</sup> *			10 <sup>11</sup>			Ω
Breakdown Voltage across Contacts	Voltage applied for 60 sec. min.	225 *			700			VDC
Operate Time, incl. Bounce	Measured w/ 50% overdrive			0.5			2.0	ms
Release Time	Measured w/ no coil suppression			0.1			0.1	ms
Capacitance	@ 10kHz across contact		0.2			0.7		pF
<b>Environmental Data</b>								
Shock Resistance	1/2 sine wave duration 11ms			50			50	g
Vibration Resistance	From 10 - 2000 Hz			20			20	g
Ambient Temperature	10 °C/ minute max .allowable	-20		90	-20		90	°C
Storage Temperature	10 °C/ minute max. allowable	-20		100	-20		100	°C
Soldering Temperature	5 sec dwell			260			260	°C

Please note: The indicated electrical data are maximum values and can vary downwards when using a more sensitive switch.  
 \* Insulation resistance of 10<sup>12</sup> and breakdown voltage of 480 VDC is available.  
 These ranges refer to the uncut / unmodified Reed Switches described in our Reed Switch section. Consult factory if more detail is required.

## X-ON Electronics

Largest Supplier of Electrical and Electronic Components

*Click to view similar products for [Liquid Level Sensors](#) category:*

*Click to view products by [MEDER](#) manufacturer:*

Other Similar products are found below :

[F03-16PT-1M](#) [FSH-21](#) [FSH-25](#) [FSH-34](#) [FSH-35](#) [FSV-31](#) [FSV-35](#) [LRNH31S41](#) [FSH-31](#) [RSF14Y100RF](#) [F03-16PT-10M](#) [LL01-1AB01](#)  
[F03-16PS-F](#) [F03-16SF-5M](#) [F03-16PE-5M](#) [F03-16PT-5M](#) [K7L-U](#) [LBFS 1151](#) [LL8951T5](#) [SCN-1518SC](#) [LL103000](#) [LRNR31N01](#) [K7L-](#)  
[AT50DB](#) [F03-16PT-2M](#) [14102](#) [RSF107H100GV](#) [MS03-PP](#) [KSL-100-1](#) [LS01-1A66-PP-2000W](#) [LS01-1B66-PP-500W](#) [LS02-1A66-S-500W](#)  
[LS02-1B66-S-500W](#) [LS02-1B85-PP-5000W](#) [LS03-1A85-PP-500W](#) [LS03/DL-1A85-PA-500W](#) [RSF26H050TG](#) [EL-3N](#) [LL01-1AA01](#)  
[LRNH31S42](#) [MS10C](#) [SSH66XE34N100](#) [SSH66TE34N100S](#) [TSF76H100DN](#) [TSF76H050TV](#) [OLS500D3L](#) [RSF88Y100R](#) [RSF76Y100RN](#)  
[RSF54Y100RC](#) [RSF53Y100RC](#) [OLS200D3LSH](#)