

ADAPTERS, IN SERIES

3.5mm, DC - 34 GHz

SPECIFICATIONS:

Models: 5084, 5085, 5086

RoHS
Compliant

AEROFLEX
A passion for performance.

Electrical:

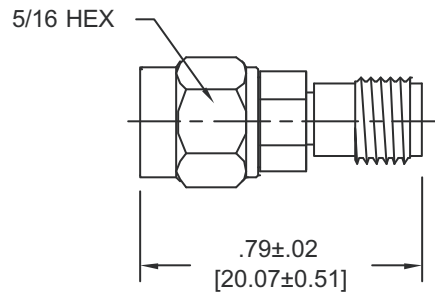
Frequency Range _____ DC - 34 GHz
VSWR _____ 1.25:1 Max.
Impedance _____ 50 Ohms
Operating Temp. Range _____ -65°C to +125°C

Mechanical:

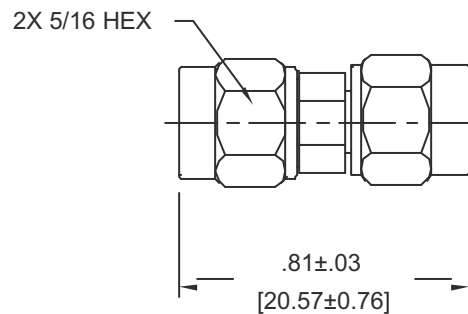
3.5mm Connectors _____ Passivated Stainless Steel
Mates both Mechanically and Electrically with
SMA, 2.9mm and K* Series Connectors
Conductors _____ Gold Plated Beryllium Copper

* K is a Trademark of Anritsu Corp.

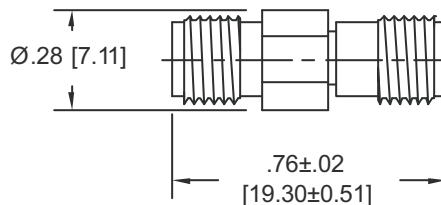
Model Number: **5084**
Male/Female Connectors



Model Number: **5085**
Male/Male Connectors



Model Number: **5086**
Female/Female Connectors



Note: Dimensions in Brackets are Expressed in Millimeters and are for Reference Only.
Units featuring very low return loss (VSWR) are also available.

5084: REV -

AEROFLEX
INMET

Aeroflex / Inmet, Inc. • 300 Dino Drive, Ann Arbor, MI 48103 • U.S.A.
888-244-6638 or 734-426-5553 • FAX: 734-426-5557
www.aeroflex.com/inmet • inmet-sales@eroflex.com

X-ON Electronics

Largest Supplier of Electrical and Electronic Components

Click to view similar products for [RF Connectors / Coaxial Connectors](#) category:

Click to view products by [Aeroflex](#) manufacturer:

Other Similar products are found below :

[R125315120](#) [8915-1511-000](#) [89674-0827](#) [5916-1103-603](#) [0106-001-000](#) [6-0001-3](#) [6001-7071-019](#) [6002-7051-003](#) [6002-7551-202](#) [6059674-1](#) [619550-1](#) [630059-000](#) [M39012/25-0021](#) [M39012/79-3008](#) [M39030/3-01N](#) [M39030/3-03N](#) [M3933/25-29N](#) [M3933/25-36N](#) [6500-7071-046](#) [6501-1071-002](#) [M83723/72W24576](#) [M83723/72W2457N](#) [6769](#) [CX050L2AQ](#) [7002-1541-010](#) [7003-1572-002](#) [7004-1512-000](#) [7009-1511-004](#) [7010-1511-000](#) [7029-1511-060](#) [7101-1541-010](#) [7101-1571-002](#) [7105-1521-002](#) [7145-1521-002](#) [7209-1511-011](#) [7210-1511-012](#) [7210-1511-015](#) [7210-1511-019](#) [7210-1511-040](#) [7225-1512-050](#) [7242-1511-000](#) [73137-5015](#) [73251-0111](#) [73251-0672](#) [73276-1501](#) [73366-0013](#) [73404-2300](#) [73413-6080](#) [734151610](#) [73415-5721](#)