

规格书

Electrical Specification

Description/产品名称: ADAPTER

Model No./产品型号: LS-PW12W-12V1A

Specification/产品规格: 12V1A

Revision/版本: A0



深圳市龙威盛电子科技有限公司
SHENZHEN LVSUN ELECTRONICS TECHNOLOGY CO.,LTD

Address:: Building C, Shiguan Industrial, Longhua, Baoan
district Shenzhen, China 518109

Tel: (86755)33953800

Fax: (86755)28108630

Http: //www.lvsun.com.cn

E-mail: lvsun@lvsun.com.cn

Approve By	Check BY	Prepared By

E. C. LIST/变更履历表

Rev. 版本	Description of Change/变更内容描述		Changde Date/日期	ECN No.
	Before/变更前	Afret/变更后		
A0	Original Release (初次发行)	---	2014.5.8	---

** Table Of Content/目录 **

1	Scope /简述	4
2	Input Characteristics/输入特性	4
2.1	Input Voltage & Frequency/输入电压&频率	4
2.2	Input AC Current/AC 输入电流	4
2.3	Inrush Current (Cold Start)/浪涌电流(冷启动)	4
2.4	Efficiency (Normal)/效率(额定输入)	4
3	Output Characteristics/输出特性	5
3.1	Static Output Characteristics<Vo & R+N>/静态输出特性	5
3.2	Turn on Delay Time/开机延迟时间	5
3.3	Hold up Time/关机维持时间	5
3.4	Rise Time/上升时间	5
3.5	Fall Time/下降时间	5
3.6	Output Overshoot / Undershoot/输出过冲/欠冲	5
3.7	Output Load Transient Response/输出负载瞬态响应	5
4	Protection Requirements/保护特性	6
4.1	Short Circuit Protection /短路保护	6
4.2	Over Current Protection /过流保护	6
5	Environment Requirements/环境要求	6
5.1	Operating Temperature and Relative Humidity/操作温/湿度要求	6
5.2	Storage Temperature and Relative Humidity/存储温/湿度要求	6
5.3	Vibration/振动	6
6	Reliability Requirements/可靠性要求	6
6.1	Burn-in/煲机	6
6.2	MTBF Qualification/平均间隔故障时间估算	6
7	EMI/EMS Standards/EMI/EMS 标准	7
7.1	EMI Standards/EMI 标准	7
8	Safety Standards/安规标准	7
8.1	Dielectric Strength(Hi-pot)/介电耐压强度(高压)	7
8.2	Leakge Current/漏电流	7
8.3	Insulation resistance/绝缘阻抗	7
9	Mach. Outline Drawing/外观示意图	8
10	DC Cord/DC 线	9
11	Product figure frame picture/胶壳尺寸图.....	9

1. SCOPE

The document detail the electrical,mechanical and environmental specifications of a Adapter POWER, the power supply provide 18.0 W (continuous output power).output.
资料详细描述了一款 18.0W(连续输出功率), 输出电源的电气, 结构及环境等要求.

The power supply shall meet the **RoHS** requirement.

此款电源符合 **RoHS** 要求.

1.1. Description

- SMPS Adaptor(Wall mount)/插墙式适配器 SMPS Adaptor(Desk-top)/桌面型适配器
 Open Frame/开放式结构 SMPS Unit(With Case)/带铝壳型
 Others/其他

2. Input Characteristics/输入特性

2.1. Input Voltage & Frequency/输入电压与频率

The range of input voltage is from 90Vac to 264Vac single phase.

输入电压范围: 从 **90Vac** 到 **264Vac**, 单相输入.

	Minimum/最小	Nominal/额定值	Maximun/最大
Input Voltage/输入电压	90Vac	100Vac-240Vac	264Vac
Input Frequency/输入频率	47Hz	60Hz/50Hz	63Hz

2.2. Input AC Current/AC 输入电流

0.6Amax. @ 100-264Vac input & Full load/满载

2.3.Inrush Current (cold start)/浪涌电流(冷启动)

10Amax. @ 264Vac input

2.4.Efficiency(Normal)/效率(额定输入)

82.2 % min. @ (type83% at input 110Vac)& Full load/(在 110Vac 输入,典型效率 83%)&满载

82.7% min. @ (type83% at input 230Vac)& Full load/(在 230Vac 输入,典型效率 83%)&满载

3. Output Characteristics/输出特性

3.1. Static Output Characteristics<Vo & R+N>/静态输出

Input Voltage 输入电压	Input power 输入功率	Rated Output 额定输出电压	No Load 空载	Output Range 输出范围	Ripple and Noise Range 纹波与噪音
AC110V	≤0.3W	+5V	0.0A	11.4-12.6V	≤100mVp-p
AC230V	≤0.3W	+5V	0.0A	11.4-12.6V	≤100mVp-p

3.2 Output Voltage/Cuttent /输出电压/电流

Input Voltage 输入电压	Output Voltage 输出电压	Output Current 输出电流	Ripple and Noise Range 纹波与噪音
AC115V	11.4-12.6V	0-1A	≤150mVp-p
AC230V	11.4-12.6V	0-1A	≤150mVp-p

3.3 Turn-on Delay Time/开机延迟时

5.0S max. @ 100Vac to 240Vac input & Full load/满载

3.4 Hold-up Time/关机维持时间

6mS min. @ Full load & 115Vac/60Hz input turn off at worst case/在最差情况关机
10mS min. @ Full load & 230Vac/50Hz input turn off at worst case/在最差情况关机

3.5 Rise Time/上升时间

50mS max. @ Rated load/额定负载

3.6 Fall Time/下降时间

50mS max. @ Full load/满载

3.7 Output Overshoot/Undershoot/输出电压过冲/欠冲

10%max. When the power on or off/当电源开/关机最大过冲 10%.

3.8 Output Load Transient Response/输出负载瞬态响应

Output voltage within 11.4V-12.6V for load step from 20% to 80%, R/S: 0.5A/Us, frequency: 100Hz

输出电压在 11.4V-12.6V 之间, 负载变化: 从 20%到 80%, 斜率: 0.5uS, 频率: 100Hz

4. Protection Requirements/保护要求

4.1. Short Circuit Protection/短路保护

The input power shall decrease when the output rail short, the power supply shall no damage, and shall be self-recovery when the fault condition is removed

当输出短路时，产品输入功率降低且不会损伤，当短路情况解除后，产品将会自动恢复正常

4.2. Over Current Protection /过流保护

Over current protection with auto recovery function. Current limit: 4A(max.).

当输出电流大于 3.2 安培时，过流保护，当输出电流恢复正常时，产品将会自动恢复正常

5. Environment Rquirements/环境要求

5.1. Operating Temperature and Relative Humidity/操作温/湿度要求

-35°C to +60°C

10%RH to 100%RH

5.2. Storage Temperature and Relative Humidity/存储温/湿度要求

-40°C to +80°C

5%RH to 100%RH non-condensing @ Sea level shall be low 10,000 feet/低于 10,000 英尺

5.3. Vibration/振动

10 to 300Hz sweep at a constant acceleration of 1.0G(Breadth:3.5mm) for 1Hour for each of The Perpendicular axes X,Y,Z

扫描频率:10 to 300Hz,加速度:1.0G(位移:3.5mm),X,Y,Z 三垂直坐标轴向各振动 1 小时

6. Reliability Requirements/可靠性要求

6.1. Burn-in/煲机

The power supply shall under go a minimum of 4 Hours burn-in test at 40°C ± 5°C under full load condition 产品至少要在 40°C ± 5°C 的环境下及满载条件下煲机 4 小时

6.2. MTBF Qualification/平均间隔故障时间估算

The MTBF shall be at least 50,000hours at 25°C, Full load and nominal input condition

平均间隔故障时间:至少 50,000 小时, 25°C 环境及额定输入与满载条件下

7. EMI/EMS Standards/EMI/EMS 标准

7.1. EMI Standards/EMI 标准

GB 9254-2008	EN55022
GB 4943-2001	EN60950

8. Safety Standards/安规标准

8.1. Primary to Secondary: 3000Vac 5mA Max / 60second(3 second for production)

初次对次级:3000Vac / 5mA Max 60 秒(生产时高压测试时间:3 秒)

Primary to Earth: 1500Vac 5mA Max / 60second(3 second for production)

初次对地: 1500Vac / 5mA Max 60 秒(生产时高压测试时间:3 秒)

Secondary to Earth: 1500Vac 5mA Max / 60second(3 second for production)

次级对地: 1500Vac / 5mA Max 60 秒(生产时高压测试时间:3 秒)

8.2. Leakage Current/泄漏电流

0.75mA max. at 264Vac/50Hz

8.3. Insulation Resistance/绝缘阻抗

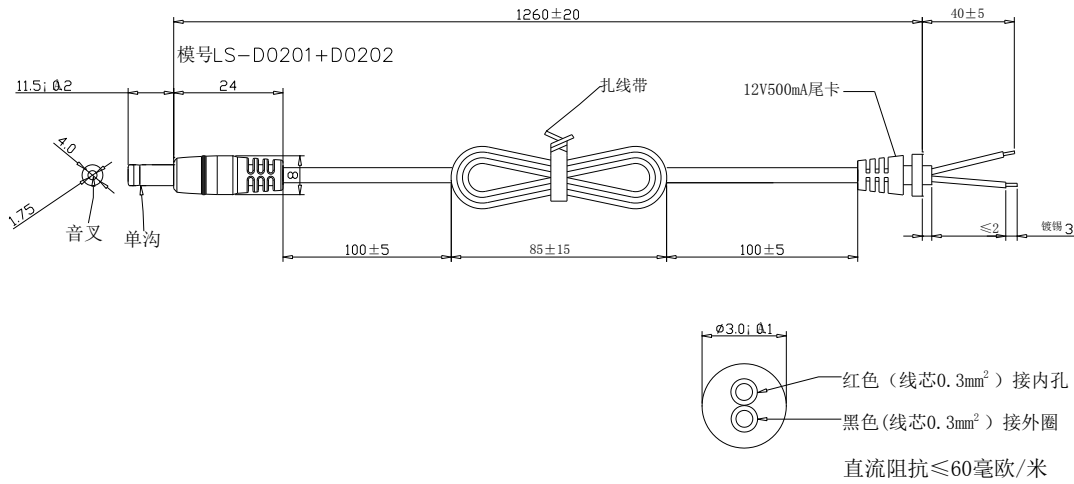
50M Ω min. at primary to secondary add 500Vdc test voltage.

在初级与次级间加 500Vdc 进行绝缘测试, 最小绝缘阻抗 50M Ω .

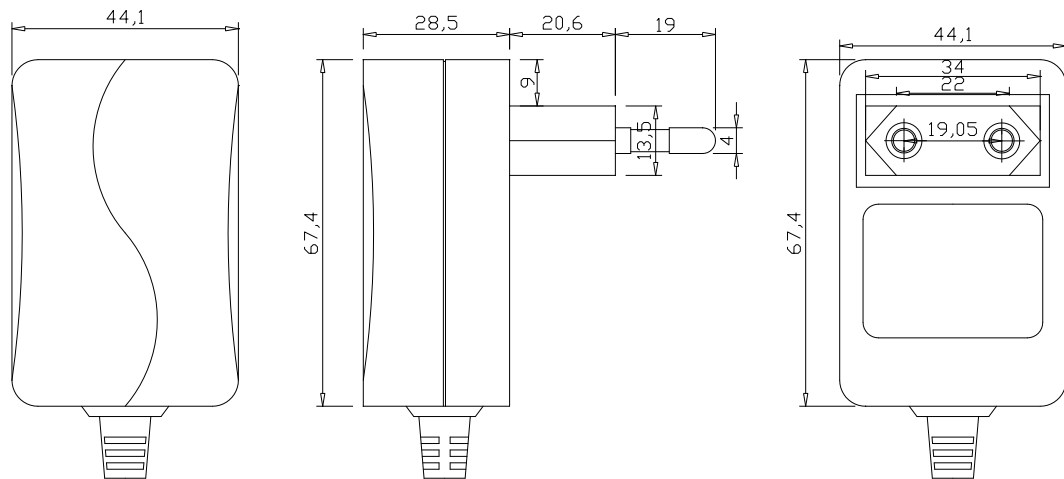
9. Mach. Outline Drwaing/外观示意图



10.DC Cord/DC 短线



11.Product figure frame picture/外壳尺寸图



X-ON Electronics

Largest Supplier of Electrical and Electronic Components

Click to view similar products for [Wall Mount AC Adapters](#) category:

Click to view products by [Lvsun](#) manufacturer:

Other Similar products are found below :

[76000738](#) [76000756-B10](#) [ADP-163 E](#) [ADP-159 A](#) [PSAC05A-050L6](#) [RLMDT361800](#) [TE30A1803F01](#) [0650-00005](#) [P25A14E-R1C](#) [SWI24-12-N-P6R](#) [SWI24-24-N-ST](#) [TRH25033-A-02E01-Level-VI](#) [DA5-050US-B](#) [DA5-050UK-B](#) [RLMDT701800](#) [76000756](#) [DA5-050EU-B](#) [WSU120-2000-R13](#) [5V1A-USB](#) [AC-DC ADAPTER 160W](#) [WSU120-2000-13](#) [WSU150-0800-13](#) [76000980](#) [WSU075-3200-13](#) [WSU090-2500-13](#) [WSU050-2000-R13](#) [WSU240-1000-13](#) [WSU090-3500-R13](#) [WSU075-1500-13](#) [WSU050-3000-13](#) [WSU135-1330-13](#) [WSU045-1500-13](#) [WSU090-2500-R13](#) [WSU240-1500-13](#) [WSU180-0660-13](#) [WSU075-1500-R13](#) [WSU090-1300-13](#) [WSU180-1330-R13](#) [NTPS-24-TT-700](#) [BB-SMI1812VP230C1](#) [WSU150-1600-13](#) [WSU050-1500-13](#) [WSU090-0800-13](#) [WSU180-0450-13](#) [WSU150-0560-R13](#) [WSU135-0880-13](#) [WSU120-3000-13](#) [WSU120-1000-R13](#) [WSU090-1300-R13](#) [WSU060-4000-13](#)