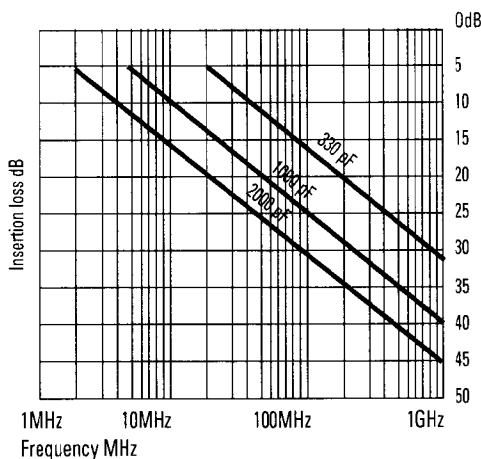




CINCH has been producing filter connectors for years and has acquired an in depth knowledge of EMC protection. CINCH offers fast delivery on a wide range of standard filtered connectors and will be your partner to design the product you need to meet European and FCC regulations.

Features

- The Cinch Filter D Sub is a high quality turned pin contact connector.
- Tubular capacitors are individually inserted on each contact.
- The encapsulation of capacitors is made with epoxy for maximum resistance to hazardous environments.
- Cinch filter D Sub have the same size and footprint as standard D Sub connectors.
- Meets the relevant dimensional requirements of CECC 73301- 802, MIL-C 24308, DIN 41652, BS 9523 F0013, BT 217, HE501.
- Bright tin or nickel finish with grounding indent for EMI/RFI shielding.



Typical performance relates to 50 Ω system
Mil -Std. - measured at 1 KHz 0.1 rms

- 1-1000 pF
- 2-2000 pF
- 3-330 pF

Technical Data

Termination options	Solder bucket, Flow solder, Straight & 90° Mini wrap.
Number of contacts	9 15 25 27 50
Maximum insertion and extraction force	30 50 83 123 167N
Performance level	1, 2 & 3
Wire accommodation	≤ 0,5 mm ² (20 AWG)
Plug contact material	Copper alloy
Socket contact material	Copper alloy

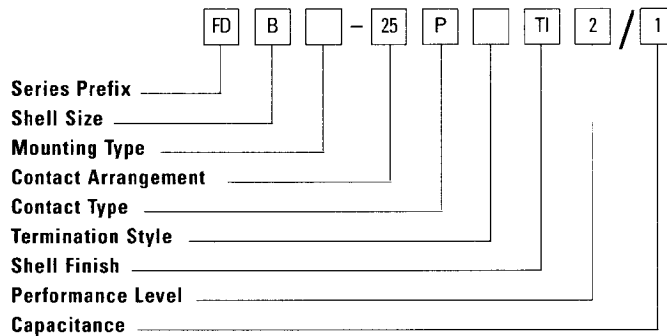
Current rating	5A
Capacitance	330 pF Tol + 50% - 20%, 1000 pF and 2000pF Tol + 80% - 20%
Working voltage	200 V d.c. or a.c. peak
Contact resistance	5 x 10 ⁻³ Ω max
Insulation resistance	≥ 5 x 10 ⁹ Ω
Temperature range	- 40° to + 125°C
Insulator materials	High impact Epoxy & GF Polyester UL94V-0 rated
Shell materials	Front: Steel-Bright tin finish with grounding indents on plugs Rear: Electrolytic Nickel

FILTER D CONNECTORS

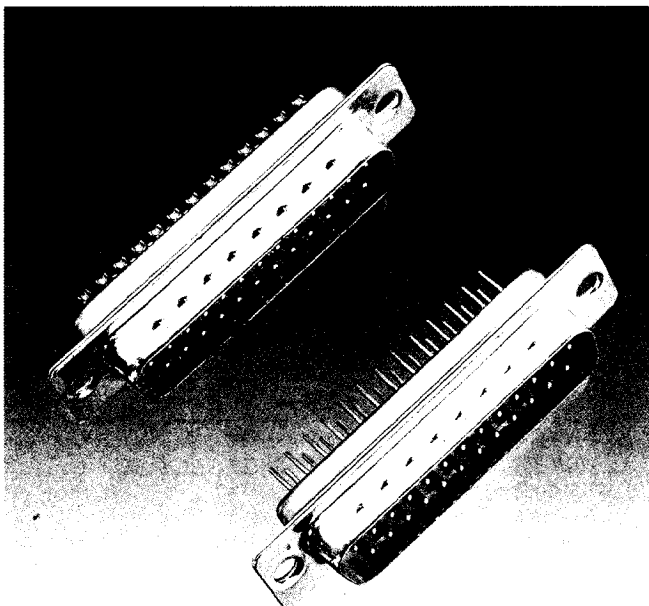


Edition 11/98

Part Numbering



Series Prefix	FD	- Filtered D (Standard Prefix)
Shell Size	E, A, B, C or D	(All Standard)
Mounting Type	B	- 4-40 rivnut for rear panel mounting (Standard)
	P	- M3 rivnut for rear panel mounting
	D	- With female screw locks fitted
	E	- 4-40 clinch-nut for rear panel mounting with locking feature for high vibration applications
	F	- Float mount for rear panel mounting
	Y	- Universal float mount
	No designation	- Ø 3.05 mm mounting hole (Standard) 90° Flow Solder versions are not available with float mounts
Contact Arrangement	9, 15, 25, 37 or 50	(All Standard)
Contact Type	P or S	(Both Standard)
Termination Style		90° Flow Solder
European Footprint	1A0N	- Without brackets (Standard)
	1A2N	- With plastic brackets and keeper moulding
	1AEN	- With earthing straps on plastic brackets (Standard) with keeper moulding*
	1ASN	- With board locks, earthing straps, plastic (Standard) bracket and keeper moulding*
	*Please specify rivnuts or screw locks, mounting types B, P, or D (rivnuts Standard)	
Straight Flow Solder	OL2	- Termination 0.6 mm, 5.3 mm long (Standard)
	BL2	- As OL2 with vertical Boardlocks 4/40 threads
	F179A	- 0.61 mm square section pins for up to 3 wrap.
Solder Bucket	No designation required (Standard)	
Shell Finish	T	- Bright tin (Standard)
	TI	- Bright tin with grounding indents (plugs only) - Nickel on rear shell
(Standard)		
Performance Level	1	- Exceeds Din Class 2
	2	- Din Class 2 (Standard)
	3	- Exceeds DIN Class 3
Capacitance	1	- 1000 pF
	2	- 2000 pF
	3	- 330 pF
	Custom or selectively loaded products available. Consult sales office.	





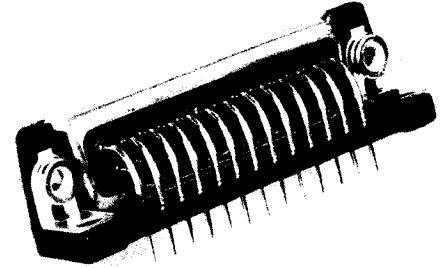
Edition 11/98

Best Sellers

FILTERED D

Solder Bucket

Number of Contacts	Performance Level	Capacitance Value		Plug	Socket
				Tin/Nickel Indent Plated Shell	Tin/Nickel Plated Shell
9	2	330pf	1,000pf	FDE-9PTI2/3	FDE-9ST2/3
				FDE-9PTI2/1	FDE-9ST2/1
15	2	330pf	1,000pf	FDA-15PTI2/3	FDA-15ST2/3
				FDA-15PTI2/1	FDA-15ST2/1
25	2	330pf	1,000pf	FDB-25PTI2/3	FDB-25ST2/3
				FDB-25PTI2/1	FDB-25ST2/1
37	2	330pf	1,000pf	FDC-37PTI2/3	FDC-37ST2/3
				FDC-37PTI2/1	FDC-37ST2/1
50	2	330pf	1,000pf	FDD-50PTI2/3	FDD-50ST2/3
				FDD-50PTI2/1	FDD-50ST2/1



Straight PCB Mount

Number of Contacts	Performance Level	Capacitance Value		Plug	Vertical Boardlock	Socket	Vertical Boardlock
				Tin/Nickel Indent Plated Shell	Tin/Nickel Plated Shell	Tin/Nickel Plated Shell	Tin/Nickel Plated Shell
9	2	330pf	1,000pf	FDE-9P0L2TI2/3	FDE-9PBL2TI2/3	FDE-9S0L2T2/3	FDE-9SBL2T2/3
				FDE-9P0L2TI2/1	FDE-9PBL2TI2/1	FDE-9S0L2T2/1	FDE-9SBL2T2/1
15	2	330pf	1,000pf	FDA-15P0L2TI2/3	FDA-15PBL2TI2/3	FDA-15S0L2T2/3	FDA-15SBL2T2/3
				FDA-15P0L2TI2/1	FDA-15PBL2TI2/1	FDA-15S0L2T2/1	FDA-15SBL2T2/1
25	2	330pf	1,000pf	FDB-25P0L2TI2/3	FDB-25PBL2TI2/3	FDB-25S0L2T2/3	FDB-25SBL2T2/3
				FDB-25P0L2TI2/1	FDB-25PBL2TI2/1	FDB-25S0L2T2/1	FDB-25SBL2T2/1
37	2	330pf	1,000pf	FDC-37P0L2TI2/3	FDC-37PBL2TI2/3	FDC-37S0L2T2/3	FDC-37SBL2T2/3
				FDC-37P0L2TI2/1	FDC-37PBL2TI2/1	FDC-37S0L2T2/1	FDC-37SBL2T2/1
50	2	330pf	1,000pf	FDD-50P0L2TI2/3	FDD-50PBL2TI2/3	FDD-50S0L2T2/3	FDD-50SBL2T2/3
				FDD-50P0L2TI2/1	FDD-50PBL2TI2/1	FDD-50S0L2T2/1	FDD-50SBL2T2/1

90° PCB – Plug

Number of Contacts	Performance Level	Capacitance Value		Open Frame	Earthing Straps	Snap In Boardlock
				Tin/Nickel Indent Plated Shell	Tin Indent Shell 4-40 Rivnut	Tin Indent Shell 4-40 Rivnut
9	2	330pf	1,000pf	FDE-9P1A0NTI2/3	FDEB-9P1AENTI2/3	FDEB-9P1ASNTI2/3
				FDE-9P1A0NTI2/1	FDEB-9P1AENTI2/1	FDEB-9P1ASNTI2/1
15	2	330pf	1,000pf	FDA-15P1A0NTI2/3	FDAB-15P1AENTI2/3	FDAB-15P1ASNTI2/3
				FDA-15P1A0NTI2/1	FDAB-15P1AENTI2/1	FDAB-15P1ASNTI2/1
25	2	330pf	1,000pf	FDB-25P1A0NTI2/3	FDBB-25P1AENTI2/3	FDBB-25P1ASNTI2/3
				FDB-25P1A0NTI2/1	FDBB-25P1AENTI2/1	FDBB-25P1ASNTI2/1
37	2	330pf	1,000pf	FDC-37P1A0NTI2/3	FDCB-37P1AENTI2/3	FDCB-37P1ASNTI2/3
				FDC-37P1A0NTI2/1	FDCB-37P1AENTI2/1	FDCB-37P1ASNTI2/1
50	2	330pf	1,000pf	FDD-50P1A0NTI2/3	FDDB-50P1AENTI2/3	FDDB-50P1ASNTI2/3
				FDD-50P1A0NTI2/1	FDDB-50P1AENTI2/1	FDDB-50P1ASNTI2/1

90° PCB – Socket

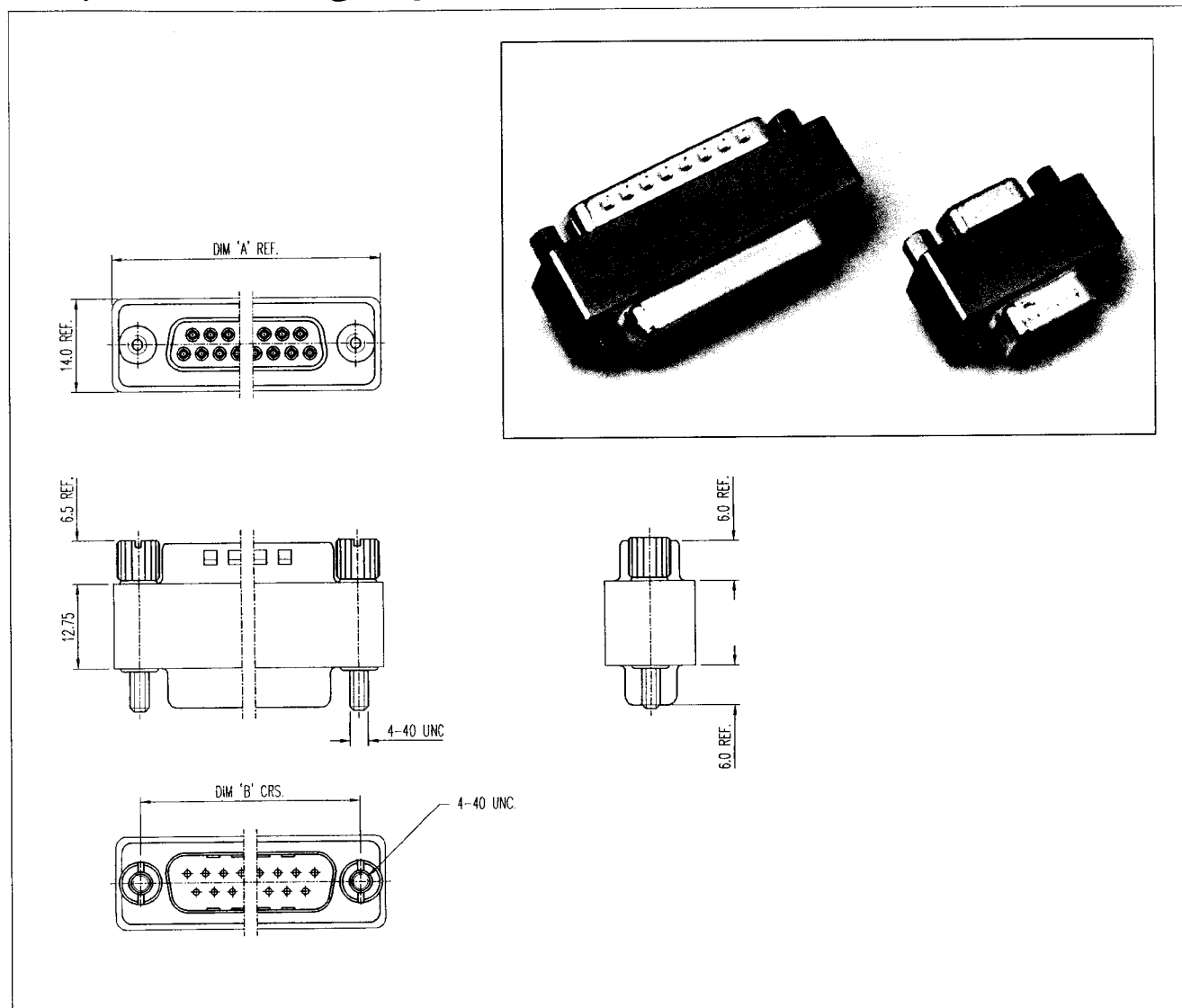
Number of Contacts	Performance Level	Capacitance Value		Open Frame	Earthing Straps	Snap In Boardlock
				Tin/Nickel Plated Shell	Tin Shell 4-40 Rivnut	Tin Shell 4-40 Rivnut
9	2	330pf	1,000pf	FDE-9S1A0NT2/3	FDEB-9S1AENT2/3	FDEB-9S1ASNT2/3
				FDE-9S1A0NT2/1	FDEB-9S1AENT2/1	FDEB-9S1ASNT2/1
15	2	330pf	1,000pf	FDA-15S1A0NT2/3	FDAB-15S1AENT2/3	FDAB-15S1ASNT2/3
				FDA-15S1A0NT2/1	FDAB-15S1AENT2/1	FDAB-15S1ASNT2/1
25	2	330pf	1,000pf	FDB-25S1A0NT2/3	FDBB-25S1AENT2/3	FDBB-25S1ASNT2/3
				FDB-25S1A0NT2/1	FDBB-25S1AENT2/1	FDBB-25S1ASNT2/1
37	2	330pf	1,000pf	FDC-37S1A0NT2/3	FDCB-37S1AENT2/3	FDCB-37S1ASNT2/3
				FDC-37S1A0NT2/1	FDCB-37S1AENT2/1	FDCB-37S1ASNT2/1
50	2	330pf	1,000pf	FDD-50S1A0NT2/3	FDDB-50S1AENT2/3	FDDB-50S1ASNT2/3
				FDD-50S1A0NT2/1	FDDB-50S1AENT2/1	FDDB-50S1ASNT2/1

FILTER ADAPTOR



Edition 11/98

Male / Female Filtering Adaptor



Technical, Part Numbering Information

	Working Voltage	Proof Voltage	Capacitance To Ground	Capacitance Tolerance	Temperature Range	DIM "A" REF.	DIM "B" REF.
FA 9 PS/1 FA 9 PS/3	200V DC OR AC PEAK	500V	1000 pF	+80% - 20%	- 40° +125°C	32.7	24.99
			330 pF	+50% - 20%			
FA 15 PS/1 FA 15 PS/3	200V DC OR AC PEAK	500V	1000 pF	+80% - 20%	- 40° +125°C	41.0	33.32
			330 pF	+50% - 20%			
FA 25 PS/1 FA 25 PS/3	200V DC OR AC PEAK	500V	1000 pF	+80% - 20%	- 40° +125°C	54.9	47.04
			330 pF	+50% - 20%			
FA 37 PS/1 FA 37 PS/3	200V DC OR AC PEAK	500V	1000 pF	+80% - 20%	- 40° +125°C	71.2	63.50
			330 pF	+50% - 20%			

GENERAL SPECIFICATION – MECHANICAL, ELECTRICAL & ENVIROMENTAL PERFORMANCE IN LINE WITH REQUIREMENTS OF DIN CLASS 2

X-ON Electronics

Largest Supplier of Electrical and Electronic Components

Click to view similar products for [D-Sub Standard Connectors](#) category:

Click to view products by [Bel Fuse](#) manufacturer:

Other Similar products are found below :

[DCM37S732N](#) [DAM15P500](#) [DEV09S364GTLF](#) [DEM09P032N](#) [DDM50P732N](#) [DAM15S332N](#) [173109-2218](#) [173109-2466](#) [173109-2436](#)
[173109-2435](#) [56F706-005-LI](#) [56F711-015](#) [015-0341-000](#) [015-0372-008](#) [015-8544-011](#) [017041-0005](#) [020419-0104](#) [012-0515-000](#) [012-9507-](#)
[034](#) [012-9507-114](#) [012-9534-001](#) [020745-0008](#) [609-25P](#) [M24308/2-23Z](#) [M243082310F](#) [M243082410F](#) [M243082411F](#) [M24308/4-21](#)
[CT1A18-11PSA206](#) [CT1N36-5SC](#) [CT2-16S-17PS](#) [CT2-20-15PCAU](#) [CT2-24-12PS](#) [CT2-24-28PSF127A206](#) [CT2-32-9PC](#) [CT6F9767-14-4-](#)
[14S-5PC](#) [CT6FA10SL-4PS](#) [CT7-18-10SC](#) [CT7-18-10SCAU](#) [CT7-18-12SCAU](#) [CT7-18-1PC](#) [CT7-18-1PCAU](#) [CT7-18-21SCAU](#) [M83513/01-](#)
[FC](#) [M83723/76W24619 L/C](#) [M85049/48-3-2F](#) [69001-865](#) [6STD09PCM99B70X](#) [6STD09SCM99B30X](#) [6STD09SCT99S40X](#)