

RMM 11/24 output relay IN: 24 VAC/DC - OUT: 250 VAC/DC / 5 A

1 relay; 1 N/O contact
5 A
24 V AC/DC

Image

Vicarious picture

Switching capacity according to (EN 60947)

24 V	AC12;5 A	AC15; 3 A	DC13; 1.5 A
110 V	AC12;5 A	AC15; 3 A	DC13; 0.3 A
230 V	AC12;5 A	AC15; 3 A	DC13; 0.15 A

Input

Input voltage	24 V AC/DC ±10 %
Input current	15 mA
Plug link	-
LED display	LED (red)

Output

Switching voltage	max. 250 V AC/300 V DC
Switching current	max. 5 A
Min. load current	100 mA
Breaking capacity (voltage dependent)	max. 1250 VA/240 W
Switching frequency	max. 10 Hz
Contact material	Ag Ni 0.15 hv; Ag hv
Energize/release/contact bounce time	10/15/1.5 ms

General data

Mech./ elect. life	2 × 10 ⁷ /load dependent
Temperature range	-20...+50 °C
Mounting method	DIN-rail mountable TH35 or G32 (EN 60715)
Dimensions H × W × D	56 x 12 x 64 mm
Test isolation voltage	4 kV

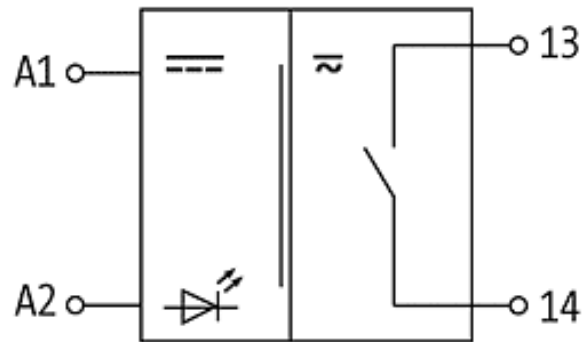
All data on this data sheet was compiled carefully.

Liability regarding correctness, completeness, and actuality is limited to gross negligence. Created: 04/12

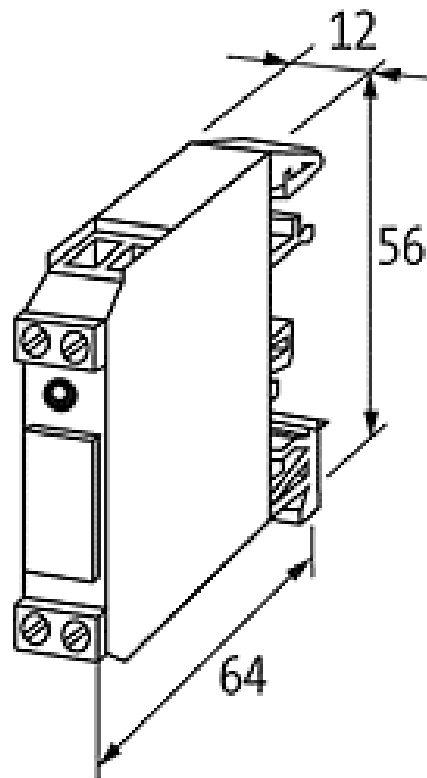
Commercial data

Gross weight	38
Net weight	38
Weight unit	gram
Basic unit	pc.
Customs tariff number	85364900
Unit (piece)	1
Limited value	1

Circuit diagram



Dimension drawing



X-ON Electronics

Largest Supplier of Electrical and Electronic Components

Click to view similar products for [General Purpose Relays](#) category:

Click to view products by [Murr Elektronik](#) manufacturer:

Other Similar products are found below :

[APF30318](#) [JVN1AF-4.5V-F](#) [PCN-105D3MHZ](#) [5JO-10000S-SIL](#) [5JO-1000CD-SIL](#) [5JO-400CD-SIL](#) [LY2S-AC220/240](#) [LYQ20DC12](#)
[6031007G](#) [6131406HQ](#) [6-1393099-3](#) [6-1393099-8](#) [6-1393122-4](#) [6-1393123-2](#) [6-1393767-1](#) [6-1393843-7](#) [6-1415012-1](#) [6-1419102-2](#) [6-](#)
[1423698-4](#) [6-1608051-6](#) [6-1608067-0](#) [6-1616170-6](#) [6-1616248-2](#) [6-1616282-3](#) [6-1616348-2](#) [6-1616350-1](#) [6-1616350-8](#) [6-1616358-7](#) [6-](#)
[1616359-9](#) [6-1616360-9](#) [6-1616931-6](#) [6-1617039-1](#) [6-1617052-1](#) [6-1617090-2](#) [6-1617090-5](#) [6-1617347-5](#) [6-1617353-3](#) [6-1617801-8](#) [6-](#)
[1617802-2](#) [6-1618107-9](#) [6-1618248-4](#) [M83536/1-027M](#) [CX-4014](#) [MAHC-5494](#) [MAVCD-5419-6](#) [703XCX-120A](#) [7-1393100-5](#) [7-1393111-7](#)
[7-1393144-5](#) [7-1393767-8](#)