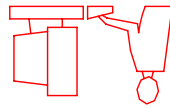
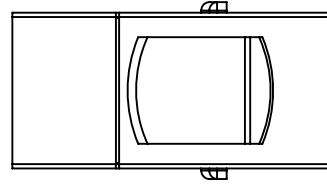
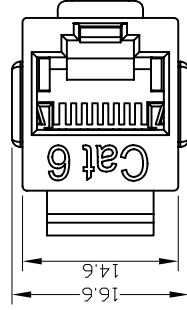
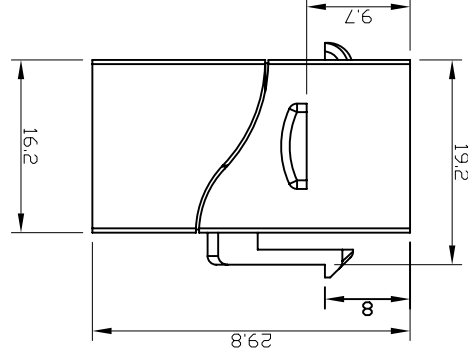
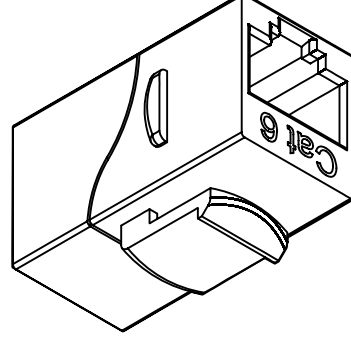




THIS SERIES FULLY CONFORMS TO THE EUROPEAN UNION DIRECTIVES 2002/95/EC AND 2002/96/EC FOR ROHS COMPLIANCY.



| | | | |
|--|----------|---|----------|
| DRAWING No 39-763631142 | | Rj45 UNSHIELDED COUPLER PANEL MOUNTED CAT6 OFFSET PIN BLACK. | |
| SCALE | SHEET OF | 1 | OF 1 |
| REV: | REV: | 1.0 | 1.0 |
| DATE | DRAWN | DATE | APPROVED |
| 09-18-12 | Johnny | 09-18-12 | Johnny |
| THESE DRAWINGS AND SPECIFICATIONS ARE THE PROPERTY OF MH CONNECTORS LTD. AND SHALL NOT BE REPRODUCED, COPIED OR USED AS THE BASIS FOR THE MANUFACTURE OR SALE OF APPARATUS WITHOUT WRITTEN PERMISSION. | | | |



THIS IS A C.A.D. GENERATED DRAWING
DO NOT MAKE MANUAL REVISIONS TO MASTER.

Standard Verification:

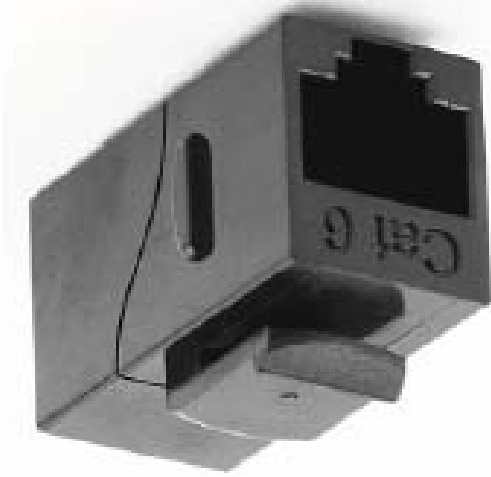
ANSI/TIA-568-B.2-1 channel compliant
ISO/IEC 11801 Class E channel compliant
ISO/IEC 60603-7, UL 1863

Physical specification:

Coupler housing: polycarbonate resin high - impact UL94V-0 Thermoplastic
Contact holder: ABS high - impact UL94V-0 Thermoplastic
Spring wire: phosphor bronze 5100W temper wire, $\varnothing=0.45\text{mm}$, 3U AU / 30U
PDI over 60U nickel undercoat
Insertion life: 750 mating cycles with standard compliant RJ45 plug
Operating temperature: -10°C to 60°C
Storage temperature range: -40°C to 68°C
Humidity: 10%~90%RH

Electrical specification:

Insulation resistance: 500M Ω
Dielectric withstanding voltage: 1000V AC
DC current rating: 1.5A
DC resistance: 0.1 Ω
Contact resistance: 20m Ω



* UNLESS OTHERWISE SPECIFIED TOLERANCES
ON DECIMAL IS: ANGLE $\pm 1^{\circ}$
UNIT: MM
.XX ± 0.35

X-ON Electronics

Largest Supplier of Electrical and Electronic Components

Click to view similar products for [Modular Connectors / Ethernet Connectors](#) category:

Click to view products by [MH Connectors](#) manufacturer:

Other Similar products are found below :

[RJE231881317T](#) [MP1010RX-1000](#) [MP44RX-1000](#) [GAX-3-66](#) [GAX-8-62](#) [93606-0253](#) [GD-A-44](#) [GDCX-PA-66-50](#) [GDCX-PN-64](#) [GDCX-PN-66](#) [GDCX-PN-66-50](#) [GDLX-A-66](#) [GDLX-A-88](#) [GDLX-N-66](#) [GDLX-S-88K](#) [GDTX-S-88-50](#) [GDX-PA-1010](#) [GLX-A-44](#) [GLX-N-1010M-BLK](#) [GLX-N-44M](#) [GLX-S-88M-BLK](#) [GMX-N-1010](#) [GMX-S-1010](#) [GMX-S-66](#) [GMX-SMT2-N-1010](#) [GMX-SMT2-N-64-50](#) [GMX-SMT2-S6-88](#) [GMX-SMT4-N-88](#) [GPX-2-64](#) [GRT1-BT1-5](#) [GSGX-N-2-88](#) [GSX-NS2-88-3.05](#) [GSX-NS2-88-3.05-50](#) [GSX-NS-88-3.05-30](#) [GSX-NS-88-3.05-50](#) [GSX-NS-88-3.68](#) [1-1775629-2](#) [GWLX-S-88-GR](#) [GWLX-S9-88-YG](#) [1300500326](#) [1300500227](#) [1300530003](#) [1300570002](#) [1324640-4](#) [RJ11FTVC2G](#) [RJ11FTVC2N](#) [RJFTVX2SA1G](#) [132764-001](#) [1400000](#) [1413176](#)