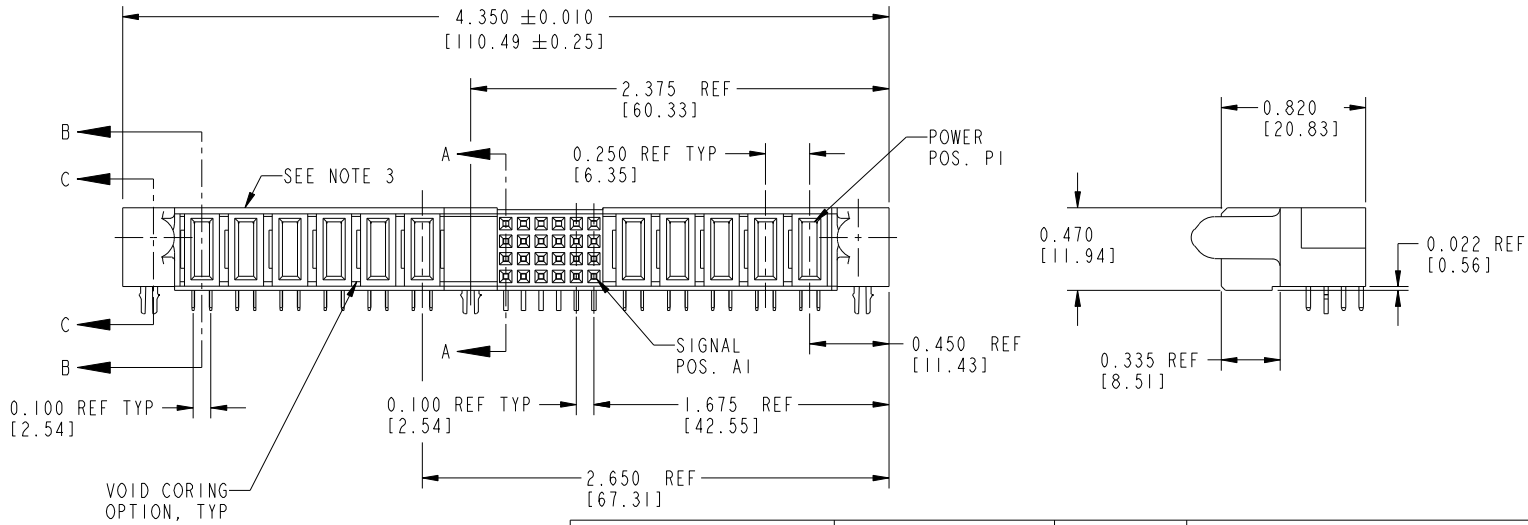
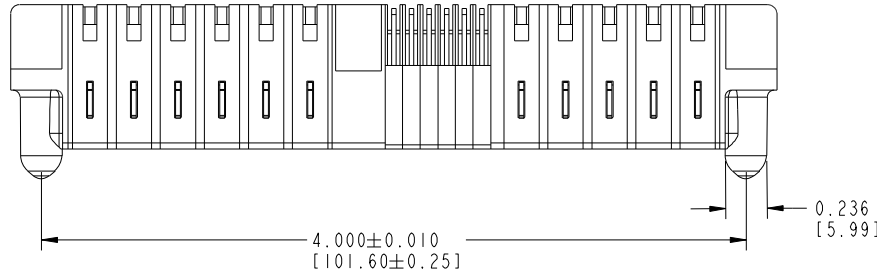


Tous droits strictement réservés. Reproduction ou communication à des tiers interdite sous quelque forme que ce soit sans autorisation écrite du propriétaire. Propriété de c FCI. Droits de reproduction FCI.



All rights strictly reserved. Reproduction or issue to third parties in any form whatever is not permitted without written authority from the proprietor. Property of FCI. Copyright FCI.

PRODUCT NUMBER  
SEE SHEET 3



mat'l code				NOTE 1		tolerances unless otherwise specified		CUSTOMER		FCI	
ltr	ecn no.	dr	date	linear	.XX±.01/.XX±.3	COPY		projection		www.fciconnect.com	
N	DG05-0242	SJ	07/25/05		.XXX±.005/.XX±.13	INCH/MM		title		5P + 24S + 1M + 6P	
P	DG05-0313	SJ	09/05/05	angles	.XXXX±.0020/.XXX±.051	scale		product family		PwrBlade	
R	DG05-0338	SW	09/19/05	chr	0° ± 2°	1:1		size		213	
S	DG05-0550	GuoJM	12/16/05	appr	D. WOLFORD 01/21/99	A		dwg no		sheet	
T	DG08-0239	JC	09/12/08		J. BROWN 01/21/99			51625		1 of 4	
					J. BROWN 01/21/99						
sheet index	revision sheet	T	T	T	T						
		1	2	3	4						

Pro/E

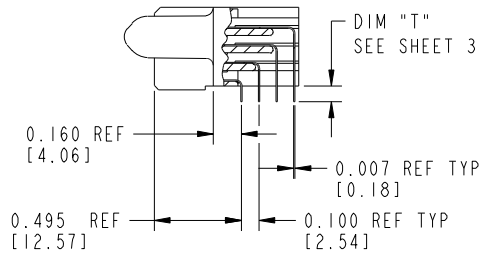
cage code 22526

Tous droits strictement reserves. Reproduction ou communication a des tiers interdite sous quelque forme que ce soit sans autorisation écrite du propriétaire. Propriete de c FCI. Droits de reproduction FCI.

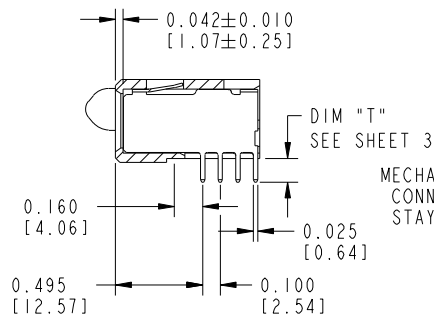


All rights strictly reserved. Reproduction or issue to third parties in any form whatever is not permitted without written authority from the proprietor. Property of FCI. Copyright FCI.

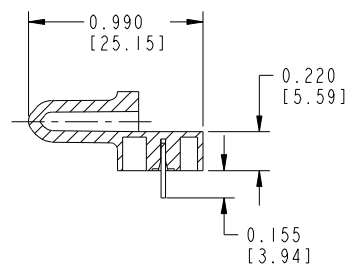
PRODUCT NUMBER  
SEE SHEET 3



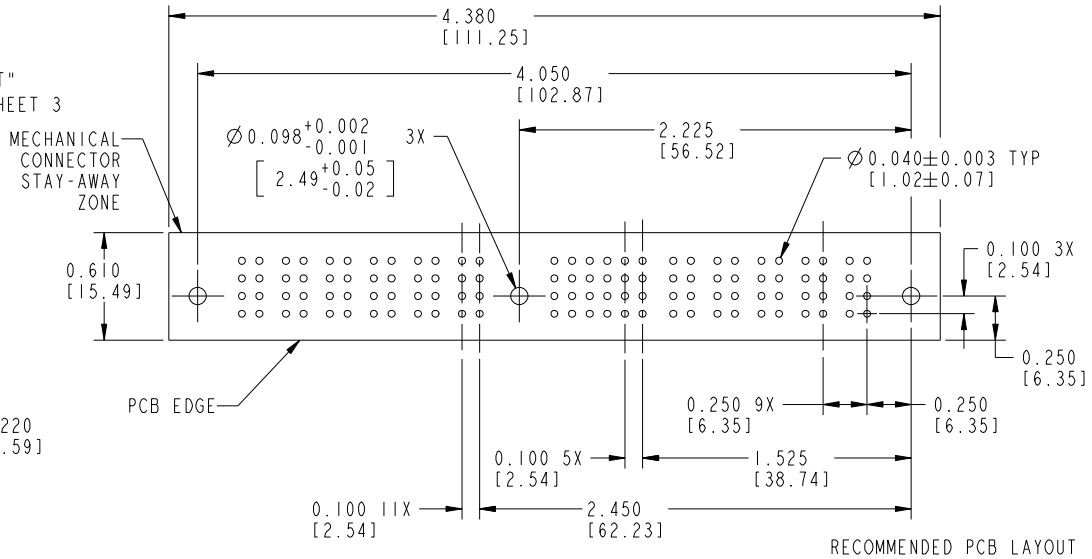
SECTION A-A



SECTION B-B



SECTION C-C



RECOMMENDED PCB LAYOUT

mat'l code		NOTE 1		tolerances unless otherwise specified		CUSTOMER		 www.fciconnect.com	
ltr	ecn no.	dr	date	linear	.XX±.01/.X±.3	COPY		title	
T				angles	.XXX±.005/.XX±.13	projection		5P + 24S + 1M + 6P	
				dr	.XXX±.0020/.XXX±.051	 INCH/MM		R/A SOLDER RECEPT.	
				enr	0° ± 2°	scale		product family	
				chr	D. WOLFORD 01/21/99	1:1		PwrBlade	
				appd	J. BROWN 01/21/99	A		code	
					J. BROWN 01/21/99			213	
sheet index	revision sheet							sheet	
								2	

cage code 22526

Pro/E

Tous droits strictement reserves. Reproduction ou communication a des tiers interdite sous quelque forme que ce soit sans autorisation écrite du propriétaire. Propriete de c FCI. Droits de reproduction FCI.



All rights strictly reserved. Reproduction or issue to third parties in any form whatever is not permitted without written authority from the proprietor. Property of FCI. Copyright FCI.

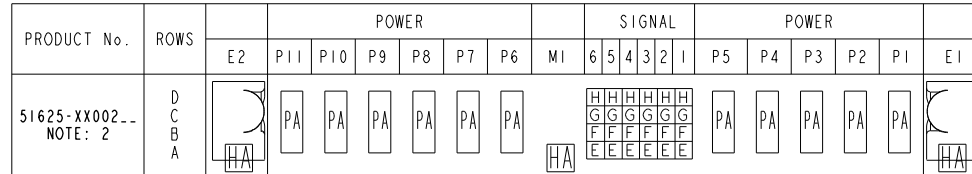
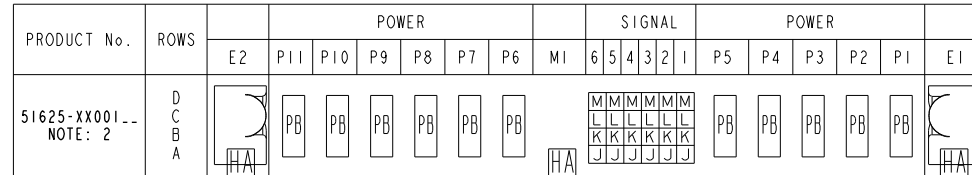
PRODUCT NUMBER  
SEE TABLE

1 | 2

3 |

4

CODE	DIM "T"		DIM "T"		CONTACT TYPE
	+0.005 [0.12]	-0.010 [0.25]	±0.010 [0.25]		
E	-	-	0.135	[3.43]	SIGNAL
F	-	-	0.135	[3.43]	SIGNAL
G	-	-	0.135	[3.43]	SIGNAL
H	-	-	0.135	[3.43]	SIGNAL
J	0.090	[2.29]	-	-	SIGNAL
K	0.090	[2.29]	-	-	SIGNAL
L	0.090	[2.29]	-	-	SIGNAL
M	0.090	[2.29]	-	-	SIGNAL
PA	-	-	0.135	[3.43]	POWER
PB	0.090	[2.29]	-	-	POWER
HA	N/A	[N/A]	-	-	HOLD-DOWN



mat'l code				NOTE 1				tolerances unless otherwise specified				CUSTOMER			
ltr	ecn no.	dr	date	linear	.XX±.01/.X±.3			COPY		projection		title			
T				angles	.XXX±.005/.XX±.13			INCH/MM				5P + 24S + 1M + 6P			
				dr	.XXX±.0020/.XXX±.051			scale		1:1		product family		PwrBlade	
				enr	0° ± 2°			size		A		dwg no		213	
				chr	D. WOLFORD 01/21/99			sheet		51625		sheet		3	
				appd	J. BROWN 01/21/99			revision				cage code		22526	
sheet index		revision sheet													

1 | 2

Pro/E

3 |

cage code 22526

4

Tous droits strictement réservés. Reproduction ou communication à des tiers interdite sous quelque forme que ce soit sans autorisation écrite du propriétaire. Propriété de c FCI. Droits de reproduction FCI.



All rights strictly reserved. Reproduction or issue to third parties in any form whatsoever is not permitted without written authority from the proprietor. Property of FCI. Copyright FCI.

PRODUCT NUMBER  
SEE SHEET 3

CONNECTOR NOTES:

- HOUSING MATERIAL: UL 94 V-0 GLASS FILLED HIGH TEMP THERMOPLASTIC  
POWER CONTACT MATERIAL: COPPER ALLOY  
SIGNAL CONTACT MATERIAL: COPPER ALLOY

- PLATING: (51625-XX00X STAND OFF 51625-XX001 AND 51625-XX002)  
SEE ITEM 5 & 6 IN PRINT 10064183 FOR PLATING SPEC OF 51625-XX00X AND 51625-XX00XLF RESPECTIVELY

- MANUFACTURER'S NAME, P/N, AND DATE CODE TO APPEAR ON THIS SURFACE
- PRODUCT SPECIFICATION GS-12-149

PCB NOTES:

- ALL DIMENSIONS ARE BASIC UNLESS OTHERWISE SPECIFIED.
- ALL THROUGH HOLES ARE LOCATED WITH A TRUE POSITION OF 0.004 [0.10]
- ALL HOLE DIAMETERS ARE FINISHED HOLE SIZE
- $\varnothing 0.098 [2.49]$  THROUGH HOLES ARE UNPLATED.
- $\varnothing 0.0453 \pm 0.0010 [1.151 \pm 0.025]$  DRILLED HOLES PLATED WITH 0.0003 [0.008] MIN SnPb OVER 0.001 [0.03] TO 0.003 [0.08] Cu PLATING TO ACHIEVE A  $\varnothing 0.040 \pm 0.003 [1.02 \pm 0.07]$  HOLE.
- A  $\triangle$  SYMBOL WILL BE NEXT TO ANY DIMENSION, VIEW, OR NOTE WHICH HAS BEEN MODIFIED WITH THE CURRENT DRAWING REVISION.

CONFIDENTIAL

mat'l code		NOTE 1		tolerances unless otherwise specified		CUSTOMER		FCI		www.fciconnect.com	
ltr	ecn no.	dr	date	linear	.XX±.01/.XX±.3	projection	COPY				
T					.XXX±.005/.XX±.13			title 5P + 24S + 1M + 6P			
				angles	.XXX±.0020/.XXX±.051	$0^\circ \pm 2^\circ$		R/A SOLDER RECEPT.			
				dr	D. WOLFORD 01/21/99	INCH/MM		product form	PRODUCT_FAMILY: 3		code
				enrg	J. BROWN 01/21/99	scale		size	dwg no	51625	213
				chr	J. BROWN 01/21/99	1:1	A			sheet	4
				appd	J. BROWN 01/21/99						
sheet index	revision sheet										

Pro/E

cage code 22526

## X-ON Electronics

Largest Supplier of Electrical and Electronic Components

*Click to view similar products for [fct electronics manufacturer](#):*

Other Similar products are found below :

[F2W2SC-1002](#) [FMK3-K201](#) [FT2W2SC-K121](#) [K761](#) [24P104C24P1-006](#) [SDB15P159S-060](#) [SHD15P15S-012](#) [SHD15P15S-036](#) [FU27W2S7-K121](#) [2761](#) [ICD040GVP163D-03](#) [ICD040GVP163D-25](#) [10056427-1050011LF](#) [155298-002](#) [155286-001](#) [172704-0016](#) [173112-0413](#)  
[173109-0036](#) [111-0098-994](#) [173107-0568](#) [FM24W7P-K120](#) [FWDR15S](#) [RB09P09P-006](#) [FLW0915S7](#) [FT2W2PC-K120](#) [25P203C25P2-003](#)  
[K1003](#) [10112041-2020HLF](#) [173112-0077](#) [173112-0074](#) [173114-0092](#) [10046971-019LF](#) [10093084-2010LF](#) [FWDR09S1](#) [SHD26P26S-012](#)  
[FKT5](#) [FWDR15P](#) [74977-101001LF](#) [FM25W3PA-K120](#) [173112-0073](#) [151-2811-010](#) [91910-21169LF](#) [SHD15P15S-060](#) [FKC3GNME](#) [CT50-78P7](#) [HM2R89PA8100N9LF](#) [FM27W2SA-K121](#) [173113-0152](#) [73231-1321](#) [168-2829-034](#)