

ROHS COMPLIANT



MH CONNECTORS LTD.

DRAWING No		MHD45PPK SERIES	
SCALE	NTS	SHEET	OF
REV:	1	1	B
DATE	03-14-12	APPROVED	D. CRDFT
DATE	03-14-12	DRAWN	P. JENKINS

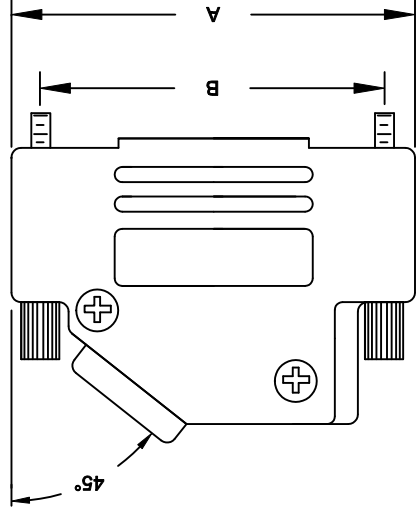
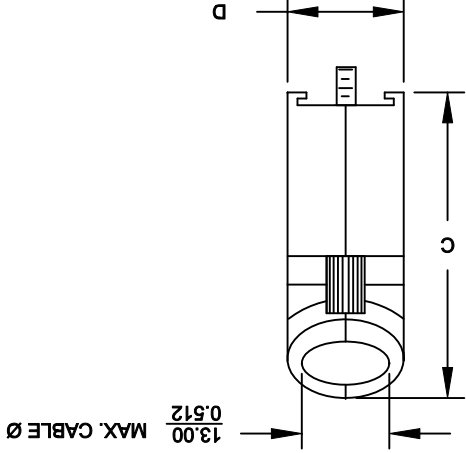
THESE DRAWINGS AND SPECIFICATIONS ARE THE PROPERTY OF MH CONNECTORS LTD. AND SHALL NOT BE REPRODUCED, COPIED OR USED AS THE BASIS FOR THE MANUFACTURE OR SALE OF APPARATUS WITHOUT WRITTEN PERMISSION.

PLASTIC: ABS POLYLAC - BLACK - UL RECOGNIZED
 4-40 THUMBSCREWS: STEEL - BLACK OXIDE
 HOOD SCREWS: STEEL - BLACK OXIDE
 COMPRESSION INSERTS: ABS UL RECOGNIZED
 NUTS: STEEL - STEEL - BLACK OXIDE
 OPERATING TEMP: -55°C TO +110°C

SIZE:	P/N BULK:	PRODUCT CODE:
9-WAY	6561-0107-11	MHD45PPK-9-BK
15-WAY	6561-0107-12	MHD45PPK-15-BK
25-WAY	6561-0107-13	MHD45PPK-25-BK
37-WAY	6561-0107-14	MHD45PPK-37-BK

SIZE:	P/N KITTED:	PRODUCT CODE:
9-WAY	6560-0107-11	MHD45PPK-9-BK-K
15-WAY	6560-0107-12	MHD45PPK-15-BK-K
25-WAY	6560-0107-13	MHD45PPK-25-BK-K
37-WAY	6560-0107-14	MHD45PPK-37-BK-K

ORDERING INFORMATION



(OPPOSITE CABLE ENTRY)

NOTE: 9 POSITION HAS ONLY 1 THUMBSCREW

DIAMETERS: 4mm (.157"), 5mm (.197"), 7mm (.276"), 9mm (.351")

(1) SET OF COMPRESSION INSERTS - VARIOUS SIZES

(2) HOUSING SCREWS & (2) NUTS

(2) 4-40 THUMBSCREWS

(2) BACKSHELL HALVES

BACKSHELL KIT INCLUDES:

DIMENSIONS (mm/in)	
SIZE:	A ±.127
	B ±.13
	C ±.010
	D ±.25
9	31.00
	24.99
	36.30
	15.00
	1.220
	0.984
	1.429
	0.591
15	39.50
	33.32
	40.30
	15.00
	1.555
	1.312
	1.587
	0.591
25	53.20
	47.04
	40.30
	15.00
	2.094
	1.852
	1.587
	0.591
37	69.70
	63.50
	1.587
	15.00
	2.744
	2.500
	1.646
	0.591

X-ON Electronics

Largest Supplier of Electrical and Electronic Components

Click to view similar products for [D-Sub Standard Connectors](#) category:

Click to view products by [MH Connectors](#) manufacturer:

Other Similar products are found below :

[DCM37S732N](#) [DAM15P500](#) [DEV09S364GTLF](#) [DEM09P032N](#) [DDM50P732N](#) [DAM15S332N](#) [173109-2218](#) [173109-2466](#) [173109-2436](#)
[173109-2435](#) [56F706-005-LI](#) [56F711-015](#) [015-0341-000](#) [015-0372-008](#) [015-8544-011](#) [017041-0005](#) [020419-0104](#) [012-0515-000](#) [012-9507-](#)
[034](#) [012-9507-114](#) [012-9534-001](#) [020745-0008](#) [609-25P](#) [M24308/2-23Z](#) [M243082310F](#) [M243082410F](#) [M243082411F](#) [M24308/4-21](#)
[CT1A18-11PSA206](#) [CT1N36-5SC](#) [CT2-16S-17PS](#) [CT2-20-15PCAU](#) [CT2-24-12PS](#) [CT2-24-28PSF127A206](#) [CT2-32-9PC](#) [CT6F9767-14-4-](#)
[14S-5PC](#) [CT6FA10SL-4PS](#) [CT7-18-10SC](#) [CT7-18-10SCAU](#) [CT7-18-12SCAU](#) [CT7-18-1PC](#) [CT7-18-1PCAU](#) [CT7-18-21SCAU](#) [M83513/01-](#)
[FC](#) [M83723/76W24619 L/C](#) [M85049/48-3-2F](#) [69001-865](#) [6STD09PCM99B70X](#) [6STD09SCM99B30X](#) [6STD09SCT99S40X](#)