

ROHS COMPLIANT



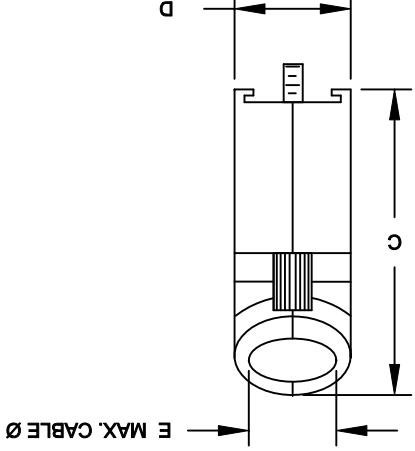
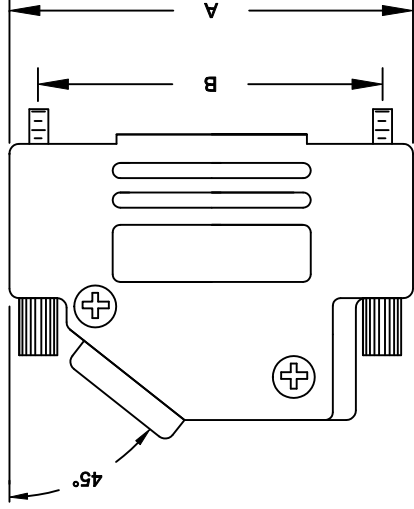
MH CONNECTORS LTD.

WRITTEN PERMISSION.

THESE DRAWINGS AND SPECIFICATIONS ARE THE PROPERTY OF MH CONNECTORS LTD. AND SHALL NOT BE REPRODUCED, COPIED OR USED AS THE BASIS FOR THE MANUFACTURE OR SALE OF APPARATUS WITHOUT

OPERATING TEMP: -40°C TO +120°C

PLASTIC: DIE CAST ZINC ALLOY
 PLATING: BLACK OXIDE
 4-40 THUMBSCREWS: STEEL - BLACK OXIDE PLATED
 HOOD SCREWS: STEEL - BLACK OXIDE PLATED
 COMPRESSION INSERTS: ABS UL RECOGNIZED



(OPPOSITE CABLE ENTRY)

NOTE: 9 POSITION HAS ONLY 1 THUMBSCREW

(1) SET OF COMPRESSION INSERTS - (50 POSITION)
 DIAMETERS: 11mm (.433"), 12.5mm (.492"), 14mm (.551"), 15mm (.591")

(1) SET OF COMPRESSION INSERTS - (9 POSITION ~ 37 POSITION)
 DIAMETERS: 4mm (.157"), 5mm (.197"), 7mm (.276"), 9mm (.351")

(2) HOUSING SCREWS

(2) 4-40 THUMBSCREWS

(2) BACKSHELL HALVES

BACKSHELL KIT INCLUDES:

| SIZE: | P/N BULK: | PRODUCT CODE: |
|--------|--------------|---------------|
| 9-WAY | 6561-0116-11 | MHD45ZK-9-BK |
| 15-WAY | 6561-0116-12 | MHD45ZK-15-BK |
| 25-WAY | 6561-0116-13 | MHD45ZK-25-BK |
| 37-WAY | 6561-0116-14 | MHD45ZK-37-BK |

| SIZE: | P/N KITTED: | PRODUCT CODE: |
|--------|--------------|-----------------|
| 9-WAY | 6560-0116-11 | MHD45ZK-9-BK-K |
| 15-WAY | 6560-0116-12 | MHD45ZK-15-BK-K |
| 25-WAY | 6560-0116-13 | MHD45ZK-25-BK-K |
| 37-WAY | 6560-0116-14 | MHD45ZK-37-BK-K |

ORDERING INFORMATION

| SIZE: | A | B | C | D | E |
|-------|---------------|---------------|---------------|---------------|---------------|
| | ±.25 ±.010 | ±.13 ±.005 | ±.25 ±.010 | ±.25 ±.010 | ±.25 ±.010 |
| 50 | 2.654 | 2.406 | 1.768 | 0.689 | 0.669 |
| 37 | 67.40 | 61.11 | 44.90 | 17.40 | 17.00 |
| | 2.744 | 2.500 | 1.587 | 0.571 | 0.512 |
| 25 | 69.70 | 63.50 | 40.30 | 14.50 | 13.00 |
| | 2.094 | 1.852 | 1.587 | 0.571 | 0.512 |
| 15 | 53.20 | 47.04 | 40.30 | 14.50 | 13.00 |
| | 1.555 | 1.312 | 1.587 | 0.571 | 0.512 |
| 9 | 39.50 | 33.32 | 40.30 | 14.50 | 13.00 |
| | 1.220 | 0.984 | 1.429 | 0.571 | 0.512 |
| 9 | 31.00 | 24.99 | 36.30 | 14.50 | 13.00 |
| | 31.00 | 24.99 | 36.30 | 14.50 | 13.00 |

DIMENSIONS (mm/in)

| DRAWN | DATE | APPROVED | DATE |
|------------|----------|----------|----------|
| P. JENKINS | 03-14-12 | D. CROFT | 03-14-12 |

| SCALE | SHEET | OF | REV: |
|-------|-------|----|------|
| NTS | 1 | 1 | A |

DRAWING No MHD45ZK-BK SERIES

X-ON Electronics

Largest Supplier of Electrical and Electronic Components

Click to view similar products for [D-Sub Standard Connectors](#) category:

Click to view products by [MH Connectors](#) manufacturer:

Other Similar products are found below :

[DCM37S732N](#) [DAM15P500](#) [DEV09S364GTLF](#) [DEM09P032N](#) [DDM50P732N](#) [DAM15S332N](#) [173109-2218](#) [173109-2466](#) [173109-2436](#)
[173109-2435](#) [56F706-005-LI](#) [56F711-015](#) [015-0341-000](#) [015-0372-008](#) [015-8544-011](#) [017041-0005](#) [020419-0104](#) [012-0515-000](#) [012-9507-](#)
[034](#) [012-9507-114](#) [012-9534-001](#) [020745-0008](#) [609-25P](#) [M24308/2-23Z](#) [M243082310F](#) [M243082410F](#) [M243082411F](#) [M24308/4-21](#)
[CT1A18-11PSA206](#) [CT1N36-5SC](#) [CT2-16S-17PS](#) [CT2-20-15PCAU](#) [CT2-24-12PS](#) [CT2-24-28PSF127A206](#) [CT2-32-9PC](#) [CT6F9767-14-4-](#)
[14S-5PC](#) [CT6FA10SL-4PS](#) [CT7-18-10SC](#) [CT7-18-10SCAU](#) [CT7-18-12SCAU](#) [CT7-18-1PC](#) [CT7-18-1PCAU](#) [CT7-18-21SCAU](#) [M83513/01-](#)
[FC](#) [M83723/76W24619 L/C](#) [M85049/48-3-2F](#) [69001-865](#) [6STD09PCM99B70X](#) [6STD09SCM99B30X](#) [6STD09SCT99S40X](#)